

ASSEMBLY INSTRUCTIONS

ITEM : 30033 HARPER ROUND DINING TABLE

Please read instructions carefully





Remove all wrapping materials, staples and packing straps from the carton. Refer to Parts List and Hardware List and ensure they are complete before you start assembling. Place all wooden parts on a clean, flat and soft surface (e.g carpet or rug) to prevent parts from being scratched.

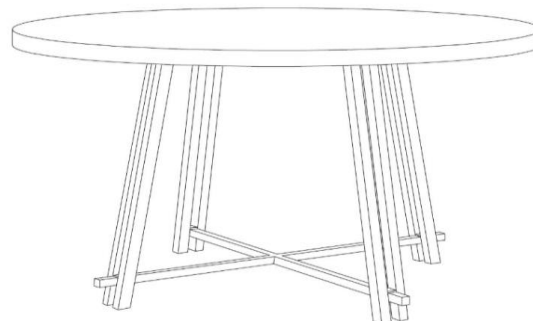
- CAUTIONS: 1) DO NOT FULLY TIGHTEN BOLTS AND NUTS UNTIL ALL PARTS HAVE BEEN ASSEMBLED.
 2) DO NOT OVER-TIGHTEN BOLTS AND NUTS UNTIL ALL PARTS HAVE BEEN ASSEMBLED.
 3) KEEP ALL HARDWARE PARTS OUT OF REACH OF CHILDREN.

PARTS LIST

NO.	COMPONENT	QTY.
P1	TABLE TOP	1
P2	METAL LEG FRAME	4
P3	X ' METAL STRETCHER	1

HARDWARE LIST




NO.	DESCRIPTION	QTY.
H1	M6X20MM JCBC SCREW 	20
H2	SPRING WASHER 	20
H3	FLAT WASHER 	20
H4	ALLEN KEY 	1

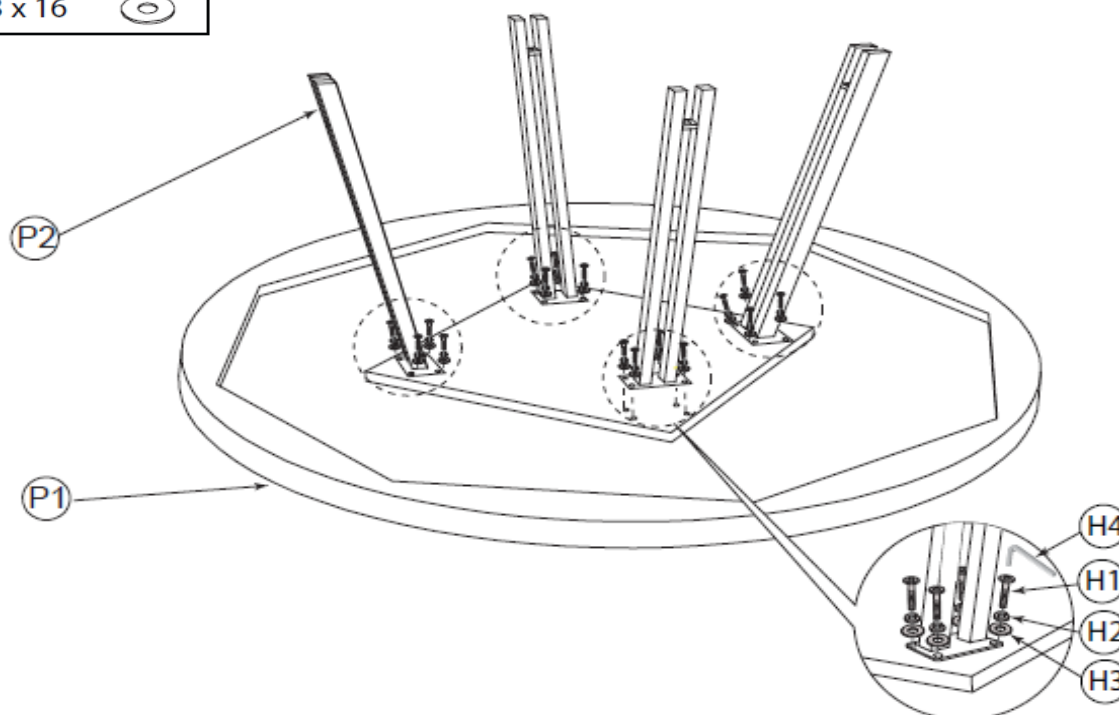


COMPLETE ASSEMBLY

STEP 1

Place the Table top (P1) on a clean & soft surface so it is ready to assemble the Leg (P2) into the underside of the Table top. Attach & t the Table metal leg (P2) one by one into the desired position while aligning the Bolt (H1) together with Spring washer (H2) & Flat washer (H3). Tighten all the bolts using Allen key (H4), but not too fully tighten yet




H1 x 16		M6 x 20mm
H2 x 16		
H3 x 16		



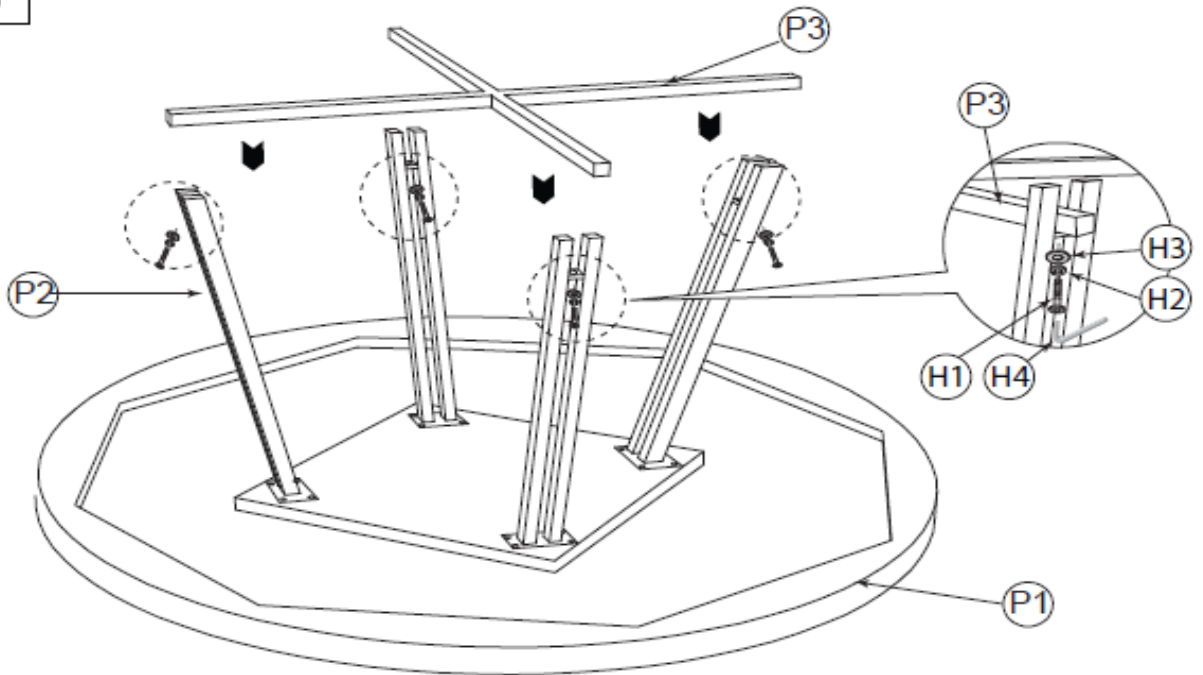
CARE AND MAINTENANCE

- SAFETY** - To avoid any risk of suffocation to children or animals, dispose off the plastic bags immediately.
CLEANING - Clean with damp cloth and mild detergent. Do not use bleach or abrasive products.
FITTINGS - Tighten bolts and nuts from time to time to ensure all parts of product are securely fitted.

STEP 2

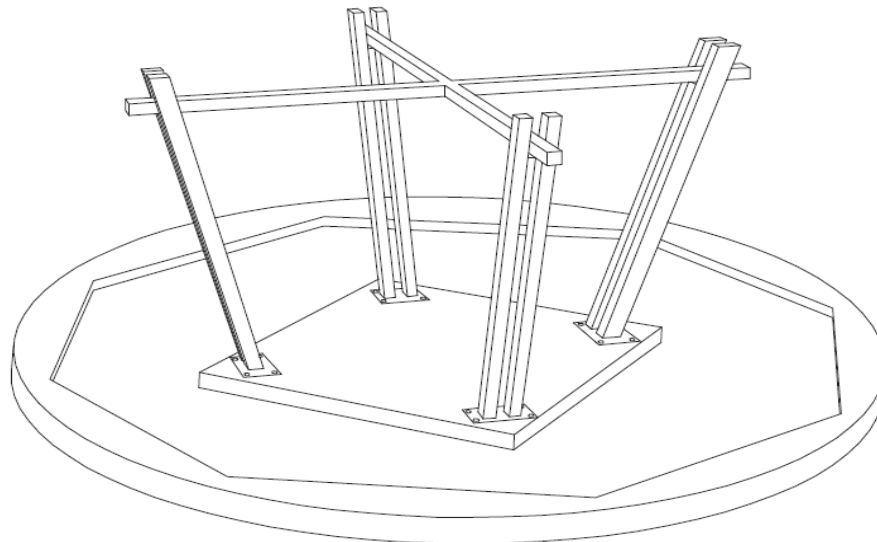
H1 x 4	 M6 x 20mm
H2 x 4	
H3 x 4	

Assemble all the 'X' Metal stretcher (P3) into the table legs by aligning the Bolt (H1) together with Spring washer (H2) & Flat washer (H3). Tighten all the bolts using Allen key (H4), and fully tighten all 20 bolts



STEP 3

Please make sure all the bolts are tightened fully before putting the Table upright.



GET THE HELP OF TWO OR MORE ADULT PEOPLE TO PUT THE TABLE UPRIGHT CAREFULLY

CARE AND MAINTENANCE

- SAFETY** - To avoid any risk of suffocation to children or animals, dispose off the plastic bags immediately.
- CLEANING** - Clean with damp cloth and mild detergent. Do not use bleach or abrasive products.
- FITTINGS** - Tighten bolts and nuts from time to time to ensure all parts of product are securely fitted.