

ASSEMBLY INSTRUCTIONS

ITEM : 30035 ALOUETTE EXTENSION DINING TABLE

Please read instructions carefully

Remove all wrapping materials, staples and packing straps from the carton. Refer to Parts List and Hardware List and ensure they are complete before you start assembling. Place all wooden parts on a clean, flat and soft surface (e.g carpet or rug) to prevent parts from being scratched.

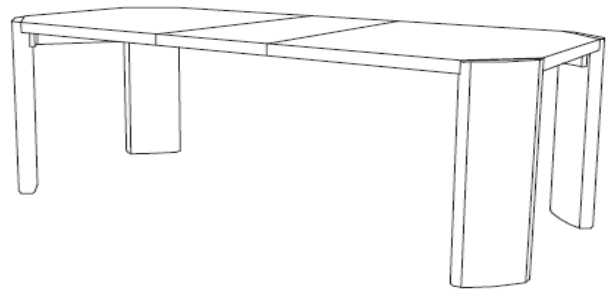
CAUTIONS: 1) DO NOT FULLY TIGHTEN BOLTS AND NUTS UNTIL ALL PARTS HAVE BEEN ASSEMBLED.

2) DO NOT OVER-TIGHTEN BOLTS AND NUTS UNTIL ALL PARTS HAVE BEEN ASSEMBLED.

3) KEEP ALL HARDWARE PARTS OUT OF REACH OF CHILDREN.






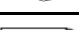
PARTS LIST

NO.	COMPONENT	QTY.
P1	TABLE TOP	1
P2	TABLE LEG	4
P3	EXTENSION LEAVE	1



COMPLETE ASSEMBLY

HARDWARE LIST

NO.	DESCRIPTION	QTY.
H1	M6X40MM JCBC SCREW 	16
H2	SPRING WASHER 	16
H3	FLAT WASHER 	16
H4	WOOD DOWEL M8 x 30mm 	8
H5	LEGS ADJUSTABLE GLIDE 	8
H6	ALLEN KEY 	1

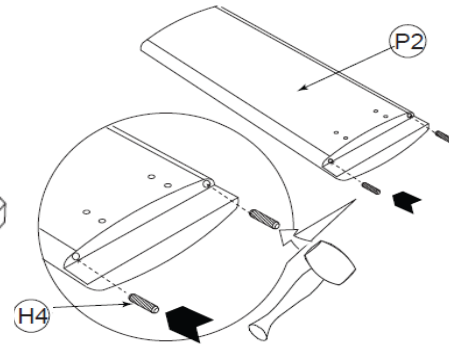
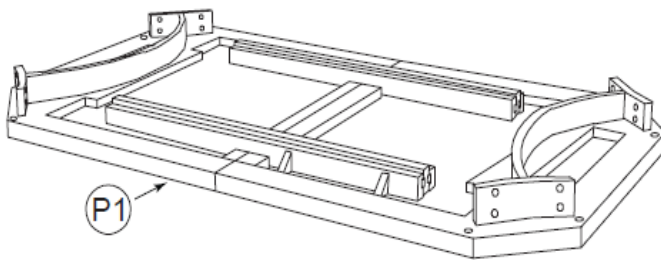
* MALLET (NOT PROVIDED)

STEP 1

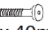
H4 x 8 
M8 x 30mm


While preparing the Table Top (P1) by placing it upside-down on a at, soft & clean surface.


Get all the Table leg (P2) to insert the Wooden dowel (H4) into the designated holes at the Legs until the dowels snug in each hole.



STEP 2

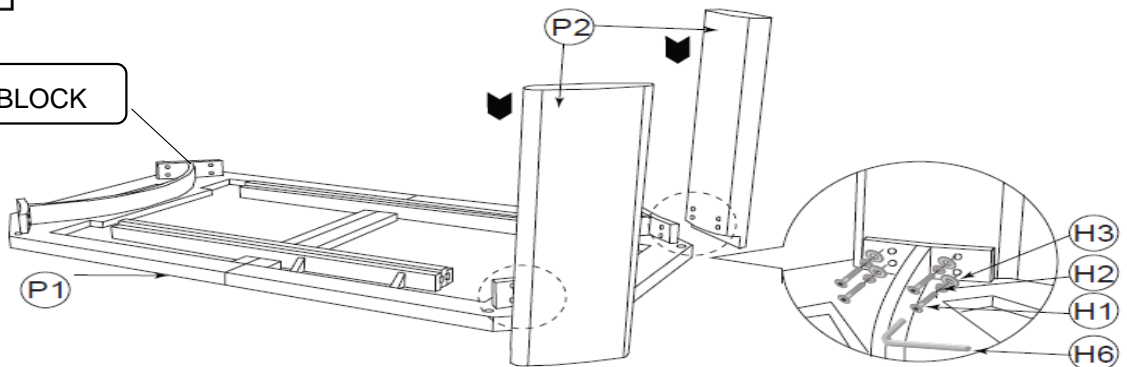
H1 x 8 
M6 x 40mm

H2 x 8 

H3 x 8 

Assemble the Table legs (P2) one by one by attaching them to the connecting blocks in the Table Top, and make sure the locating wooden dowels in the legs are snug into the hole in the table top. Then, Align Bolt (H1) tted with a Spring Washer (H2) & a Flat Washer (H3) through the holes in the connecting blocks, respectively. Tighten the bolts using the Allen Key (H6).

CONNECTING BLOCK






CARE AND MAINTENANCE

SAFETY - To avoid any risk of suffocation to children or animals, dispose off the plastic bags immediately.

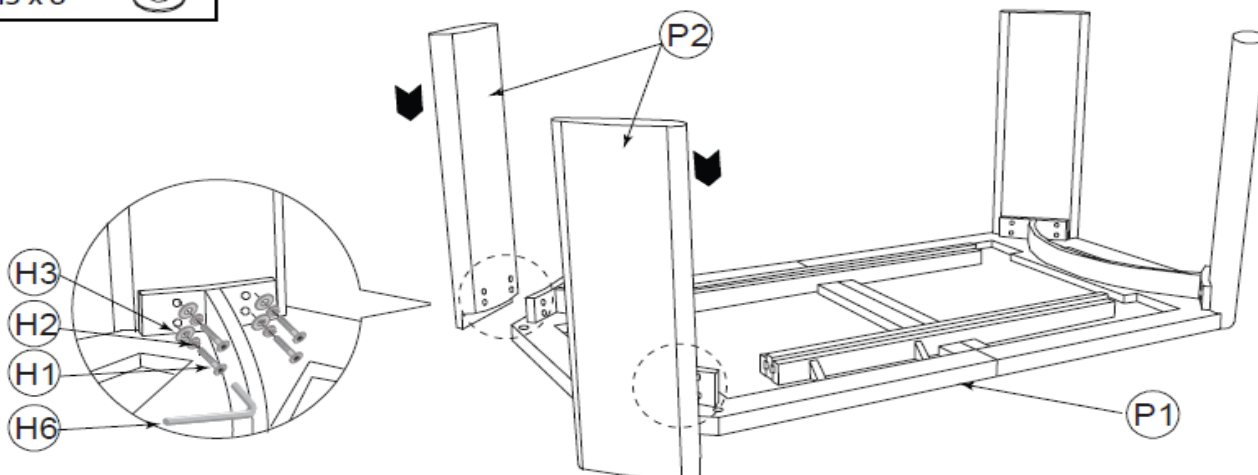
CLEANING - Clean with damp cloth and mild detergent. Do not use bleach or abrasive products.

FITTINGS - Tighten bolts and nuts from time to time to ensure all parts of product are securely fitted.

STEP 3

H1 x 8	
H2 x 8	
H3 x 8	

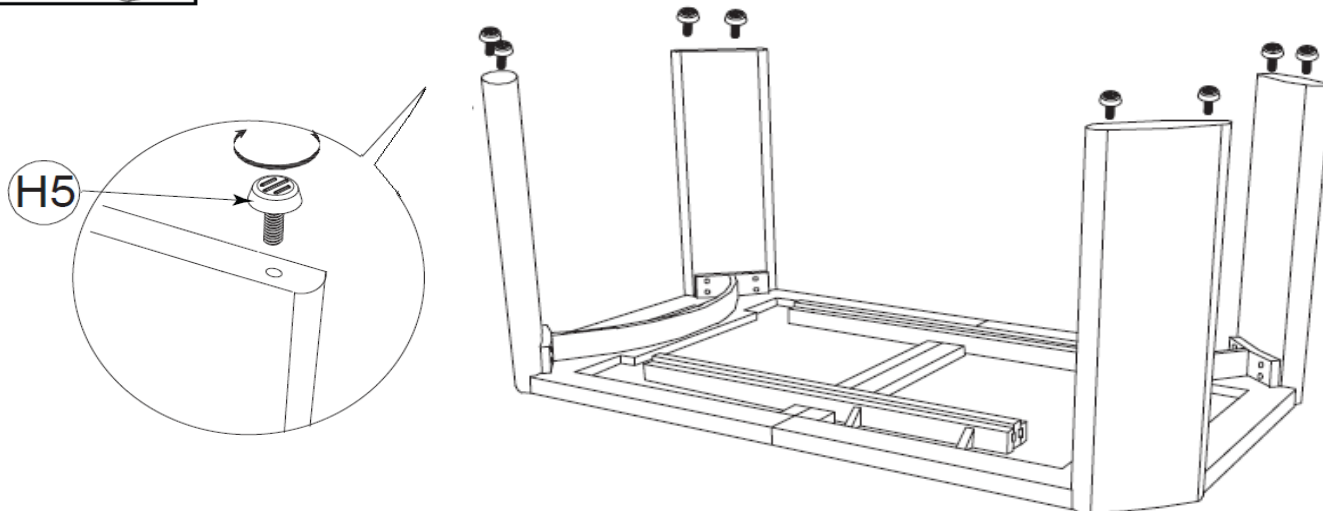
Assemble the other two sets of Table legs (P2) one by one by attaching them to the connecting blocks in the Table Top, and make sure the locating wooden dowels in the table leg are snug in the holes. Then, Align Bolt (H1) fitted with a Spring Washer (H2) & a Flat Washer (H3) through the holes in the connecting blocks, respectively. Tighten the bolts using the Allen Key (H6).



STEP 4

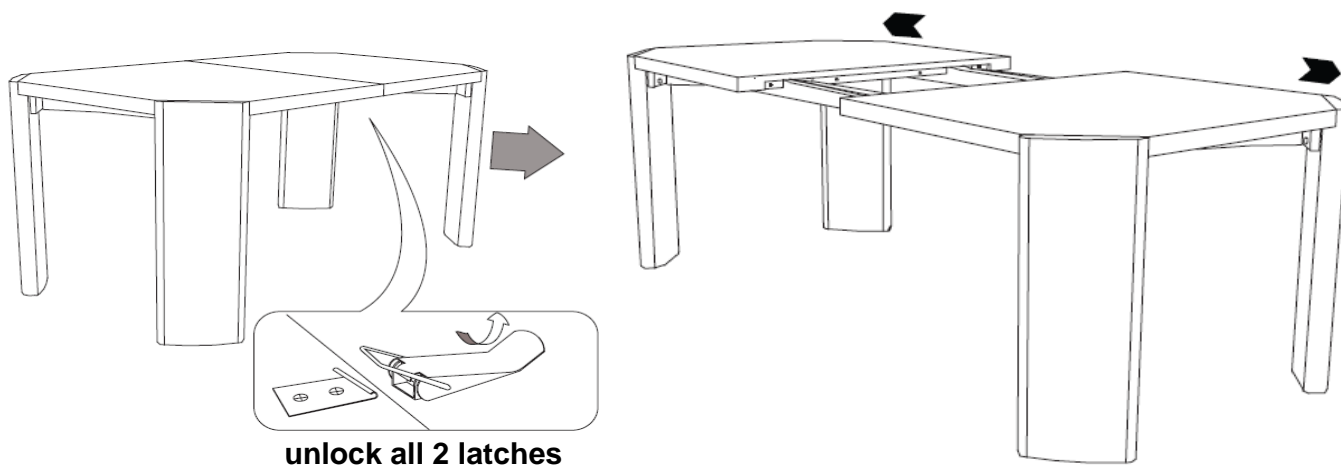
Align the Legs Adjustable Glide (H5) into nuts in the Table Leg Base .

H5 x 8	
--------	---



STEP 5

Carefully Put the Table Upright with the help of Two or more adults people

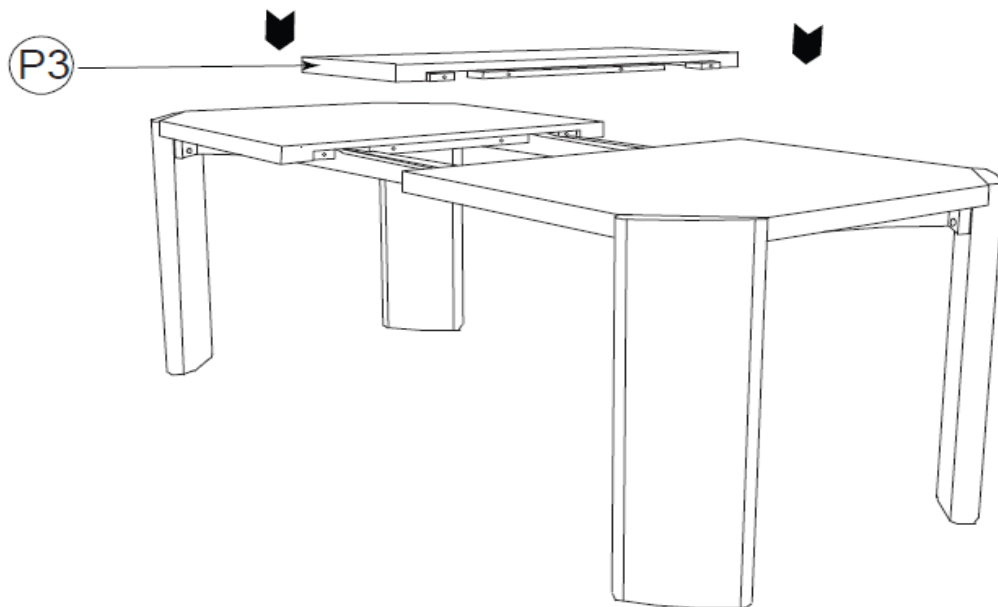


unlock all 2 latches

Reach Two latches underside the Table Top and Unlock them. Then, pull the Table at both ends simultaneously to reveal a space for placing the Extension leave (P3).

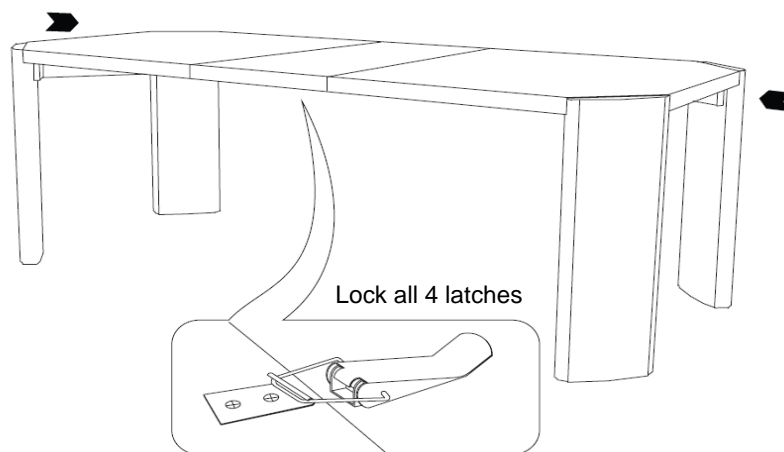
STEP 6

Carefully Place the Extension leave (P3) into the space between the table top.
Match the locating pins in the Table top leaves
Then, push the Table at both ends simultaneously until the table top & Extension
leave snug & fit .



STEP 7

Then, push the Table at both ends simultaneously until the table top & Extension leave
snug & fit .



Reach all Four latches underside the Table Top and lock them all.

CARE AND MAINTENANCE

- SAFETY - To avoid any risk of suffocation to children or animals, dispose off the plastic bags immediately.
- CLEANING - Clean with damp cloth and mild detergent. Do not use bleach or abrasive products.
- FITTINGS - Tighten bolts and nuts from time to time to ensure all parts of product are securely fitted.