
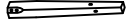





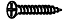



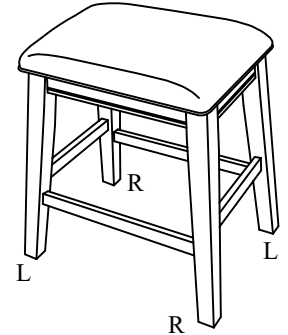
ASSEMBLY INSTRUCTIONS

ITEM NO : 30521 / 30522 24"H Backless Counter Stool

Read instructions carefully . Remove all wrapping material , staples and packing straps from the carton . See Furniture Parts List and Hardware List for guidance . Be sure you have all parts before you start assembling . Place all wooden furniture parts on a clean flat soft surface , such as carpet or rug to prevent from being scratched .

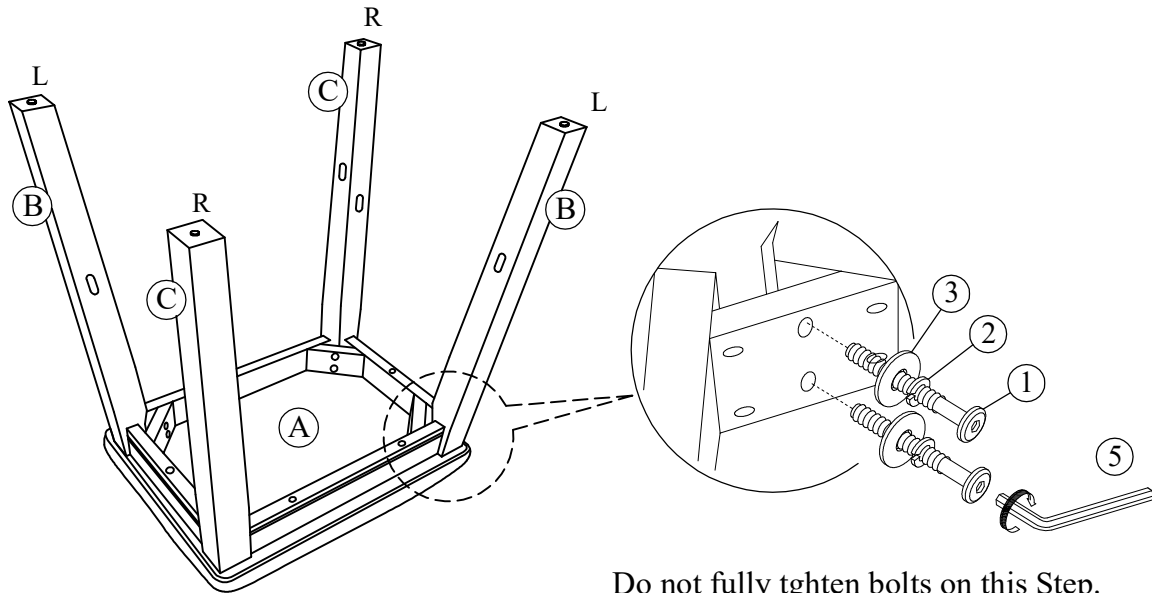
NO	PART LIST	QTY
A	Cushion Seat 	1 pc
B	Chair Leg - Left 	2 pcs
C	Chair Leg - Right 	2 pcs
D	Long Stretcher 	2 pcs
E	Short Stretcher 	2 pcs

NO	HARDWARE LIST	QTY
1	JCBC Bolt M6 x 60mm 	8 pcs
2	Spring Washer M6 	8 pcs
3	Flat Washer M6 x 19mm 	8 pcs
4	CB Screw M4 x 38mm 	4 pcs
5	M4 x 65mm Allen Key 	1 pc



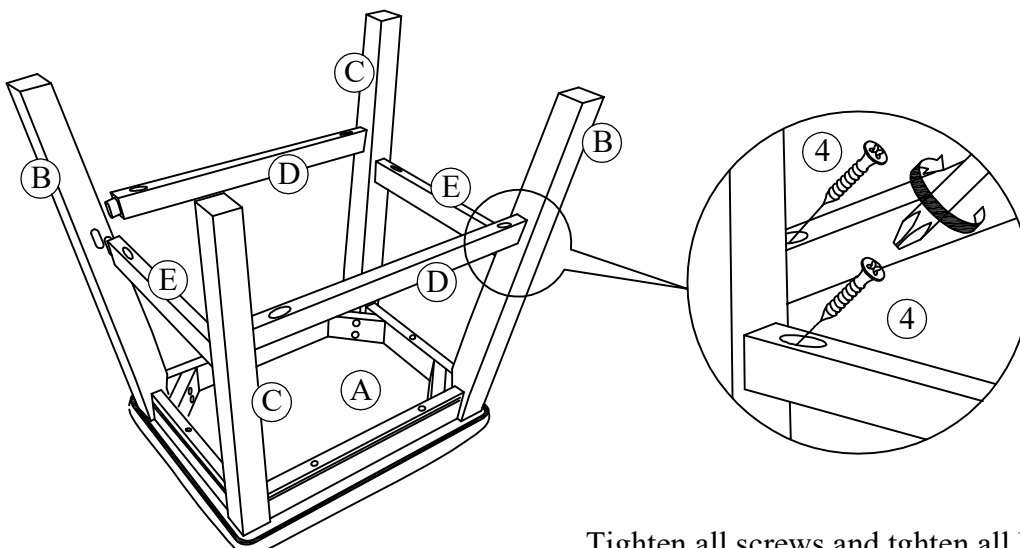
COMPLETED ASSEMBLY

Step 1



Do not fully tighten bolts on this Step.

Step 2



Tighten all screws and tighten all bolts from STEP 1.