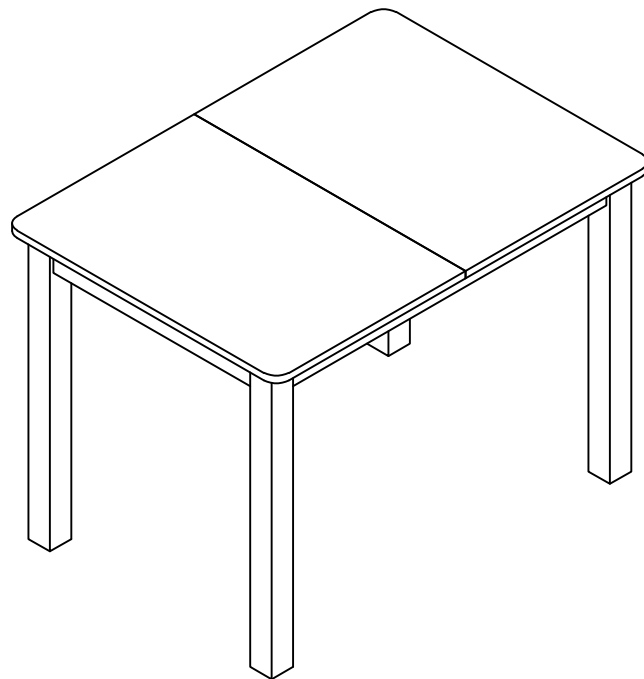
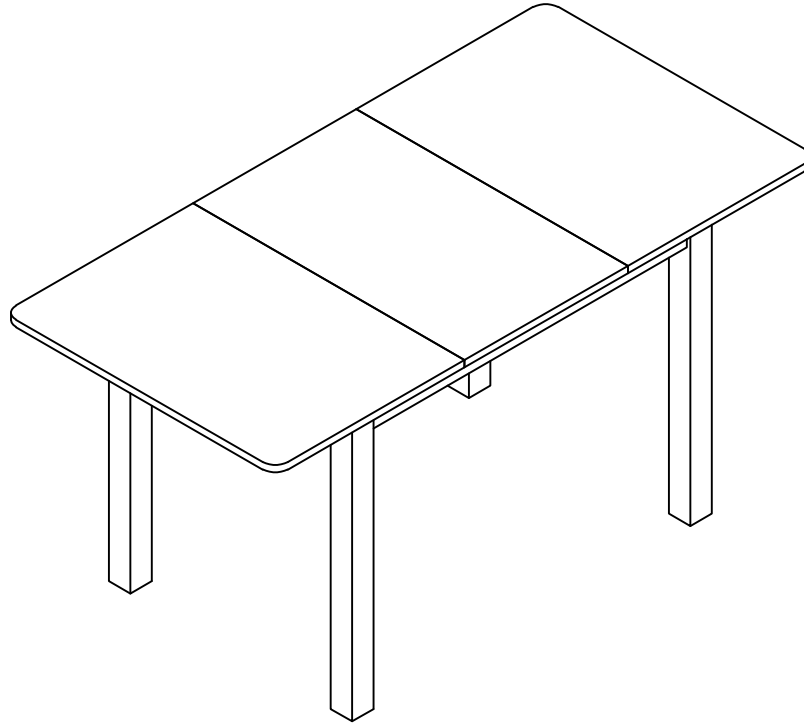
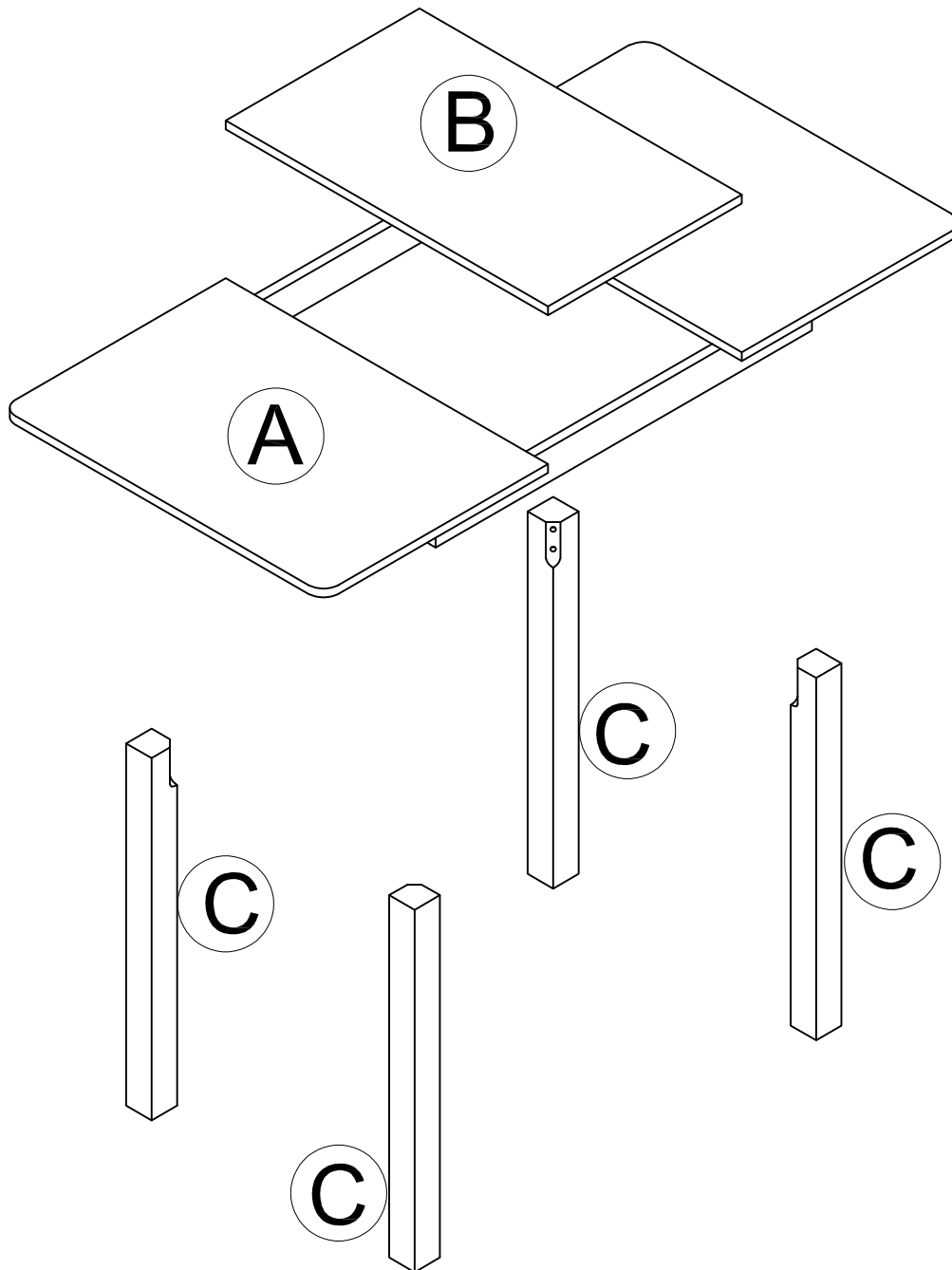


ASSEMBLY INSTRUCTION

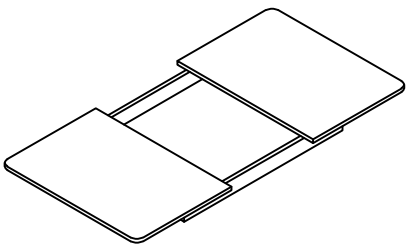
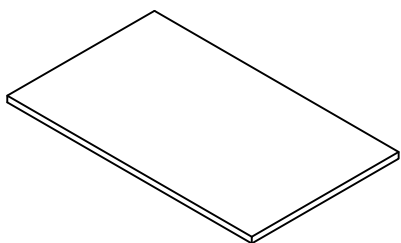

ITEM NO : 30537-T



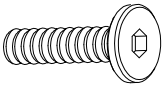



Detail view :



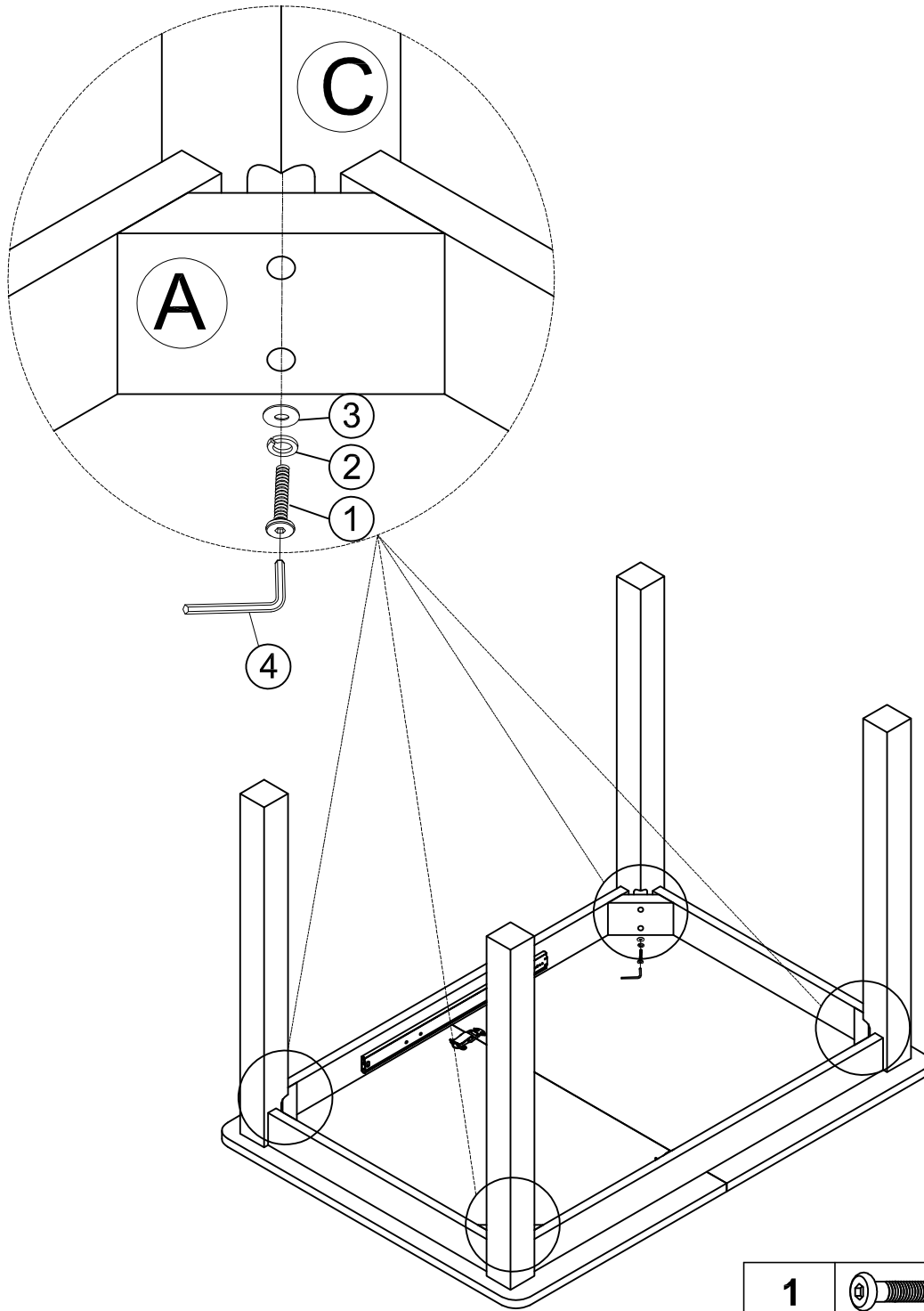
Part Lists:

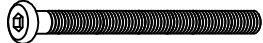



<p>A</p>  <p>Table frame x1pc x1</p>	<p>B</p>  <p>Middle panel -1pc x1</p>
<p>C</p>  <p>Table Leg x4</p>	

Hardware Lists:

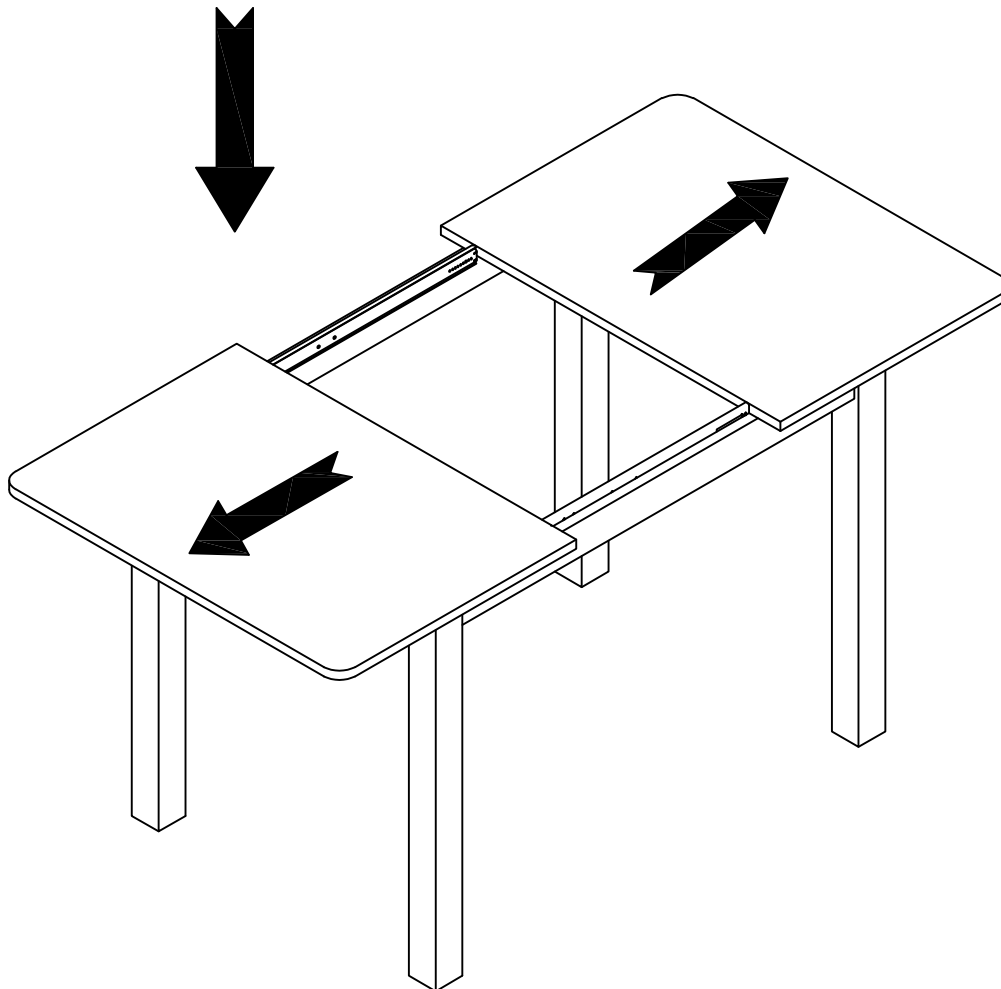
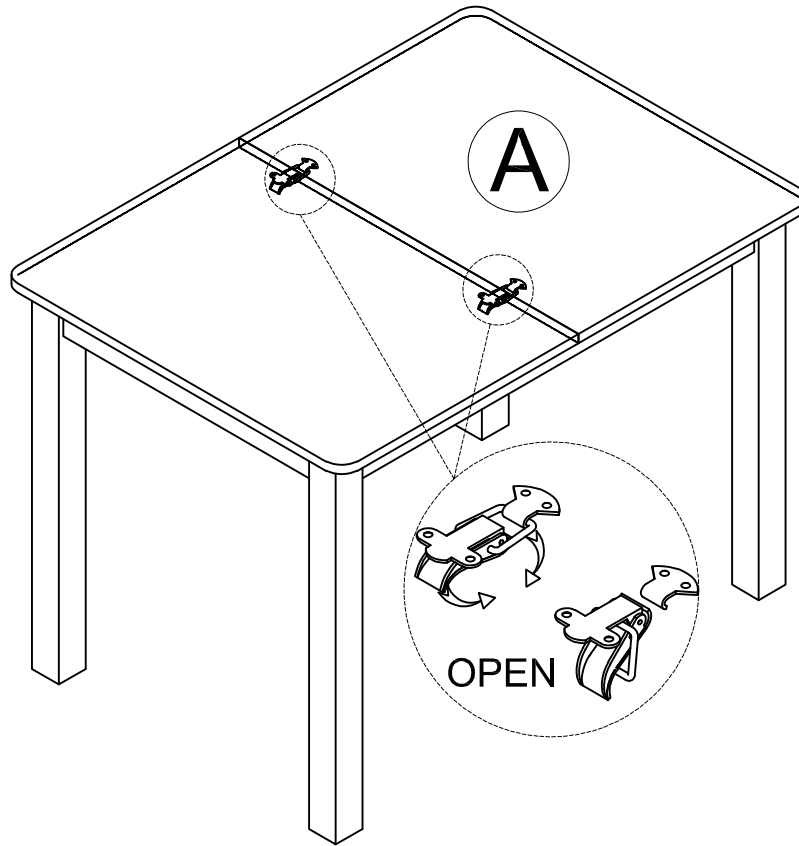
<p>1</p>  <p>Ø5/16" x 60mm Hex-head bolt (8pcs)</p>	<p>2</p>  <p>Ø5/16" Spring washer (8pcs)</p>
<p>3</p>  <p>Ø5/16" Flat washer(8pcs)</p>	<p>4</p>  <p>4mm Allen key (1pc)</p>

STEP 1

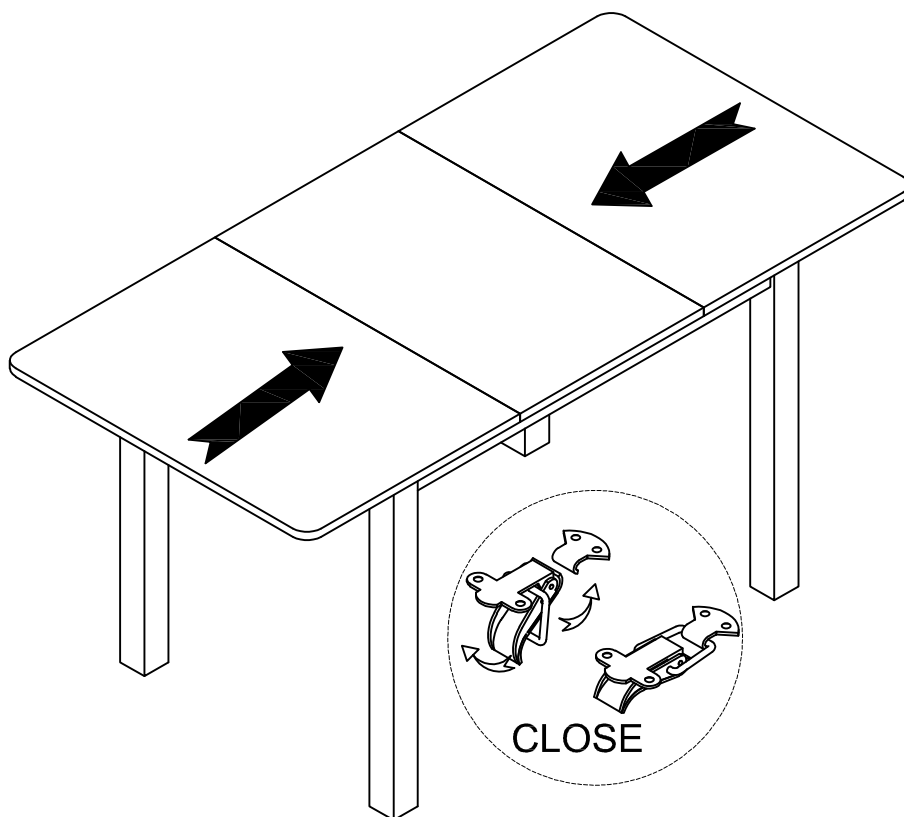
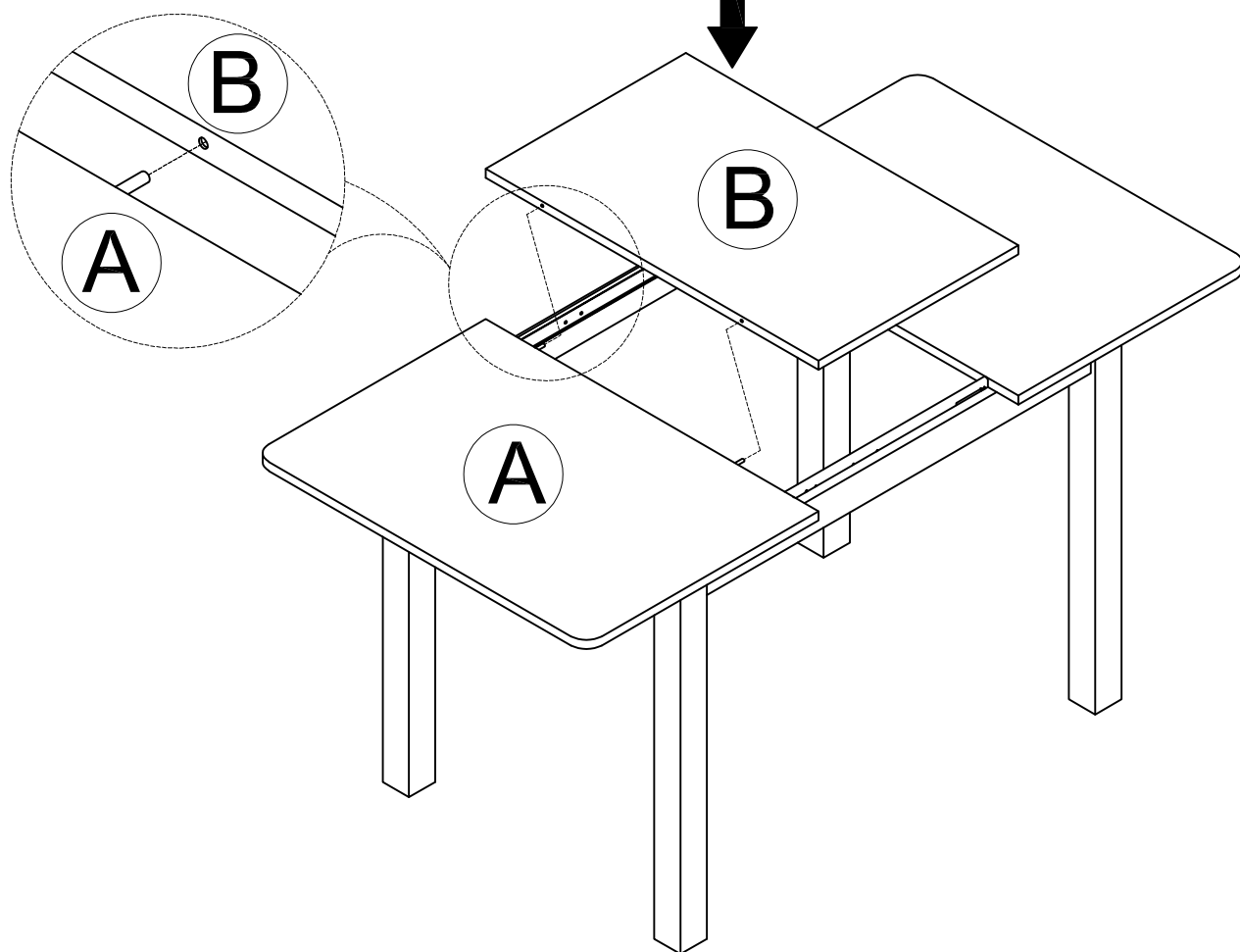


1		08
2		08
3		08
4		01

STEP 2



STEP 3



COMPLETED ASSEMBLY

