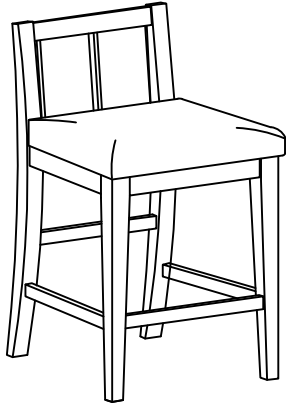


# ASSEMBLY INSTRUCTION

ITEMNO: 30539-C/30541-C



Thank you for purchasing this product. Please take time to read and follow instructions below. Check that you have all parts and hardware before assembly. Parts apparently missing are often found in packing materials. If you do not have all parts listed, call us and they be sent to you immediately



It is recommended to install protective pads under all legs and supports to avoid damage or scratches when placing furniture on a wood floor or other hard surface, and to limit indentation and prevent discoloration if placing on carpet.

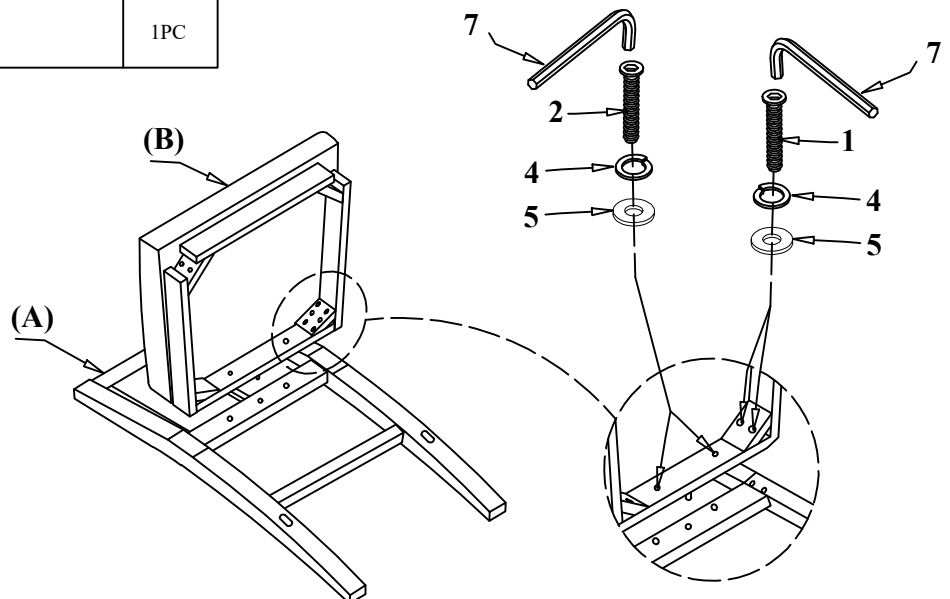
## PARTS LIST

NO	SKETCH/	DESCRIPTION	Q'TY
A		CHAIR BACK	1PC
B		SEAT FRAME WITH CUSHION	1PC
C		LEFT LEG	1PC
D		RIGHT LEG	1PC
E		FRONT STRETCHER	1PC
F		LEFT STRETCHER	1PC
G		RIGHT STRETCHER	1PC

## HARDWARE LIST

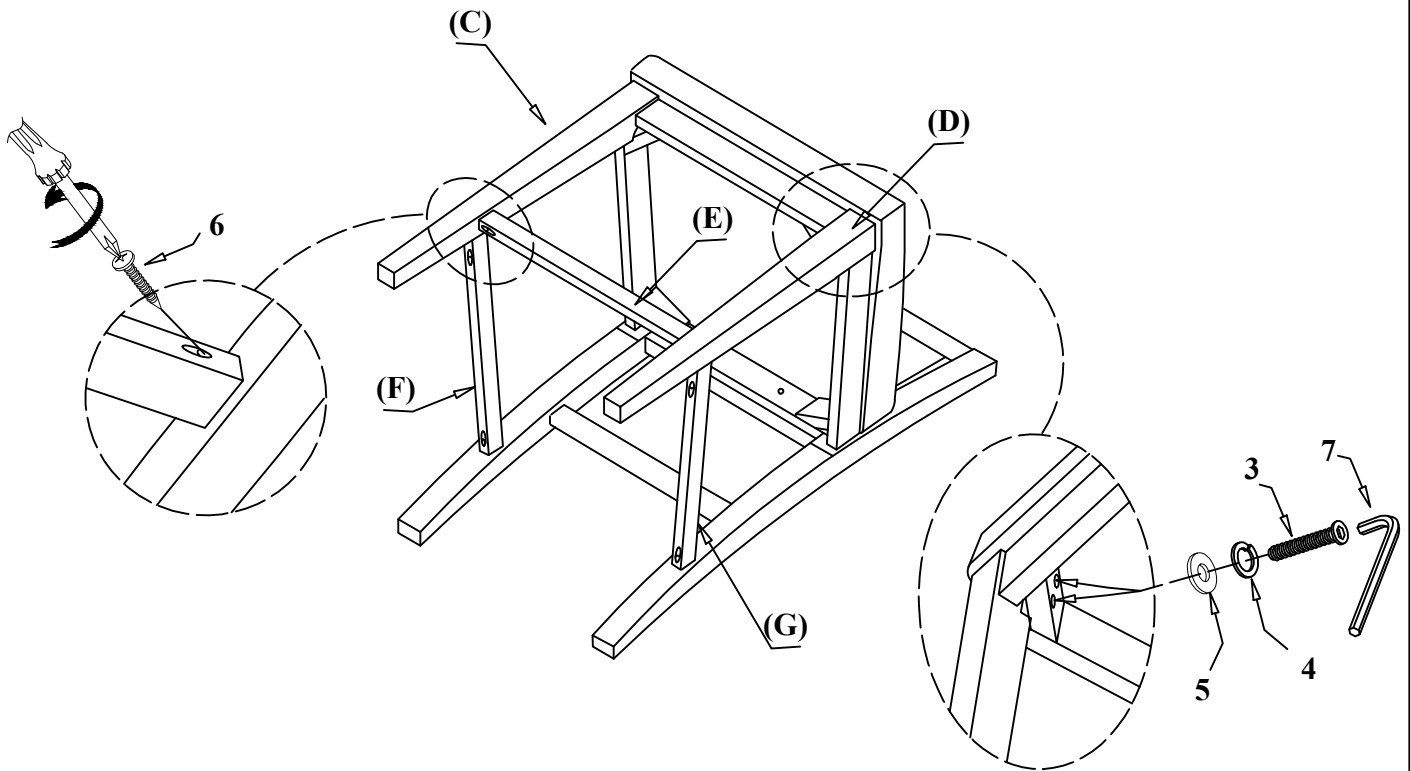
NO	DESCRIPTION	SIZE	SKETCH	Q'TY
1	BOLT	Φ1/4"*65mm		4PCS
2	BOLT	Φ1/4"*45mm		2PCS
3	BOLT	Φ1/4"*55mm		4PCS
4	LOCK WASHER	Φ1/4"		10PCS
5	FLAT WASHER	Φ16*1mm		10PCS
6	WOOD SCREW	8#*38mm		6PCS
7	ALLEN KEY	4mm		1PC

### Step 1

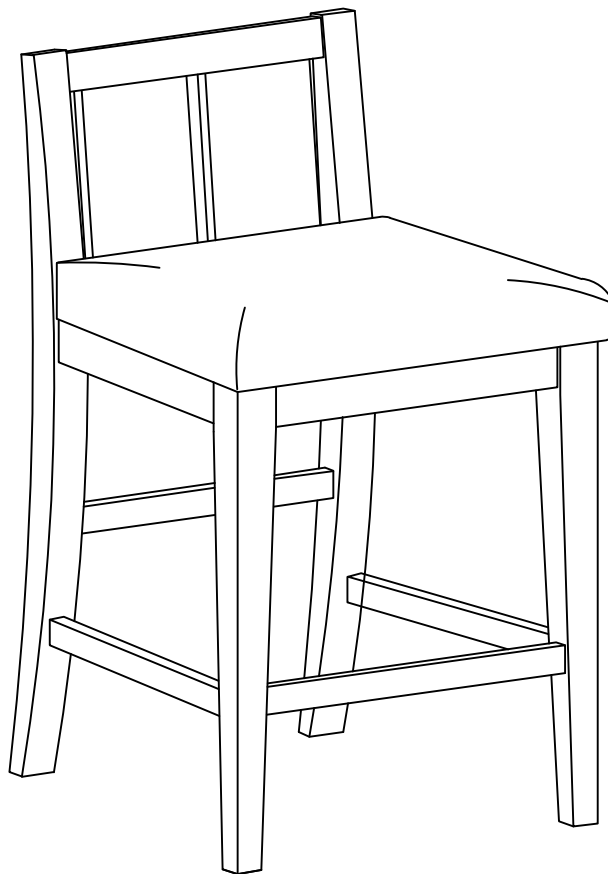


DO NOT TIGHTEN BOLTS UNTIL COMPLETELY ASSEMBLED.

**Step 2**



**Step 3**



ASSEMBLY COMPLETED

DO NOT TIGHTEN BOLTS UNTIL COMPLETELY ASSEMBLED.