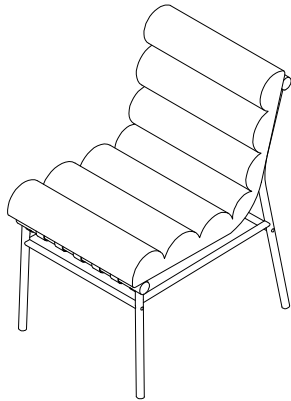
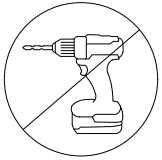


# ASSEMBLY INSTRUCTIONS

ITEM NO:



## + Do Not Use Power Tools

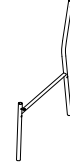


## + Suggested Adults



## + Parts Included

① Left frame x1pc

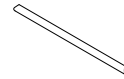


② Right frame x1pc



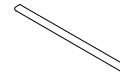
③ Rail x1pc

Ø19\*423

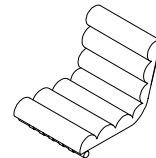


④ Rail x1pc

Ø19\*383



⑤ Seat x1pc



- 1 Read instructions cover to cover.
- 2 Save all packaging until assembly is completed.

## 1 IMPORTANT SAFETY INFORMATION

**Do not** assemble the product if any of the following parts arrived damaged:

- Part 1 - Chair left frame
- Part 2 - Chair right frame
- Part 3 - Chair rail
- Part 4 - Chair rail
- Part 5 - Chair seat

**Do not** assemble if any of the following Hardware parts are missing:

- Part A - Allen Key
- Part B - Bolt
- Part C - Bolt

## 2 IMPORTANT ASSEMBLY INFORMATION

**Assembly Step** If loosening persists, please make sure to tighten all the bolts periodically, or use a thread locker adhesive.

## + Hardware Included

**A** Allen Key x1pc  
4#



**B** Bolt x4pcs  
M6x35

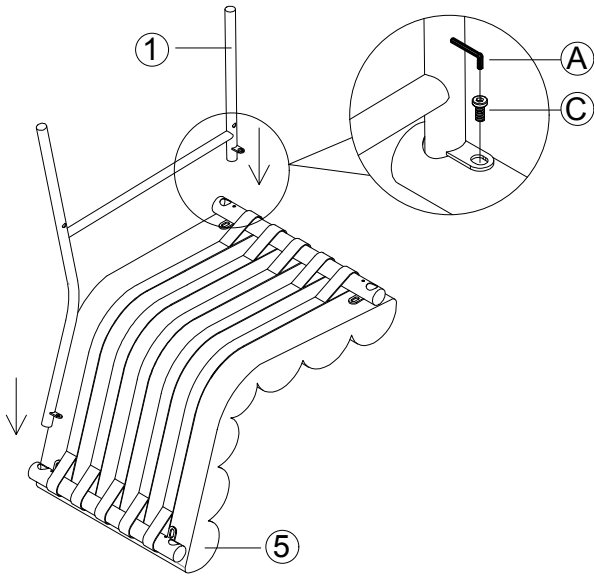


**C** Bolt x4pcs  
M6x12



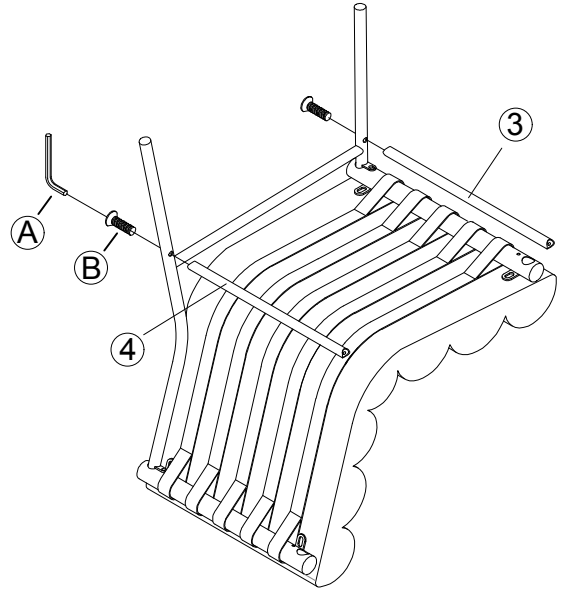
# ASSEMBLY INSTRUCTIONS

1

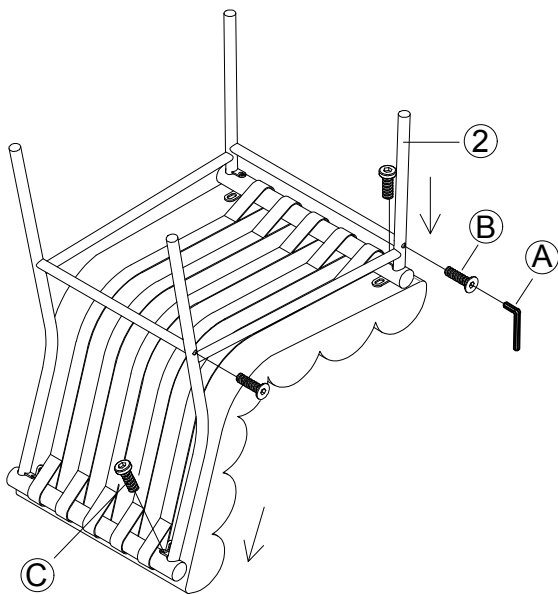


Please don't over tighten bolts until the assembly is completed.

2

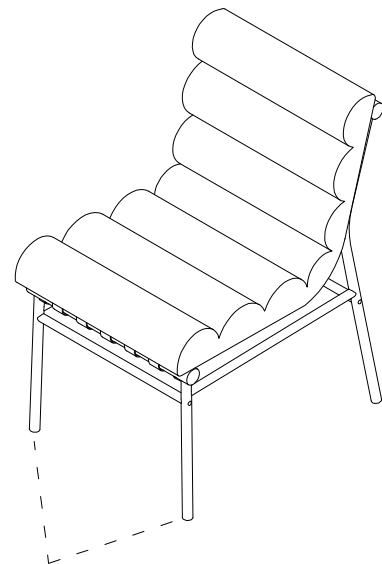


3



Assembling the rail, don't lock the bolts tightly.

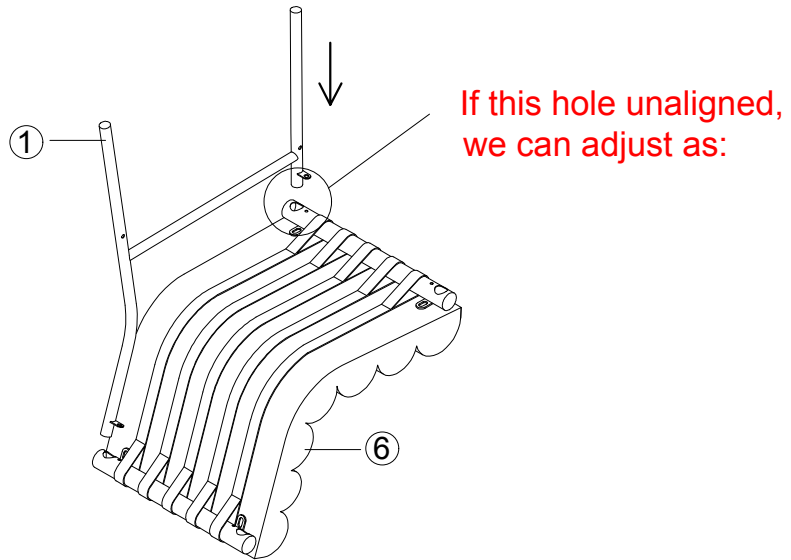
4



1. Tighten all the bolts.  
2. Adjust if uneven.

# ASSEMBLY INSTRUCTIONS

## Additional instruction



step 1

step 2

Move the side frame toward or backward to adjust the hole position.

