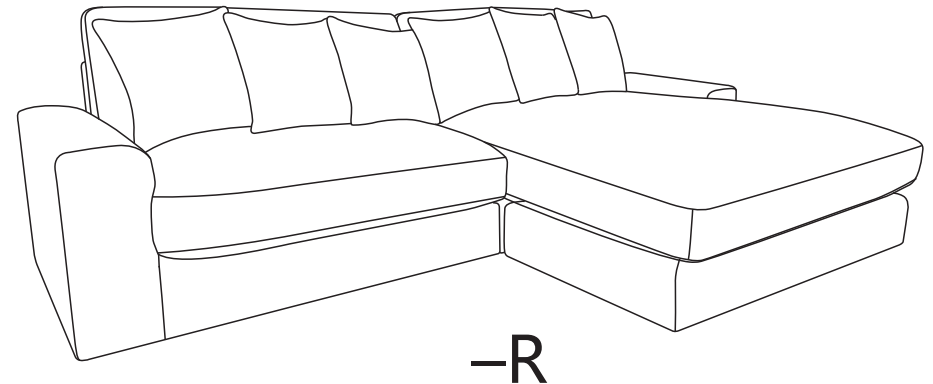
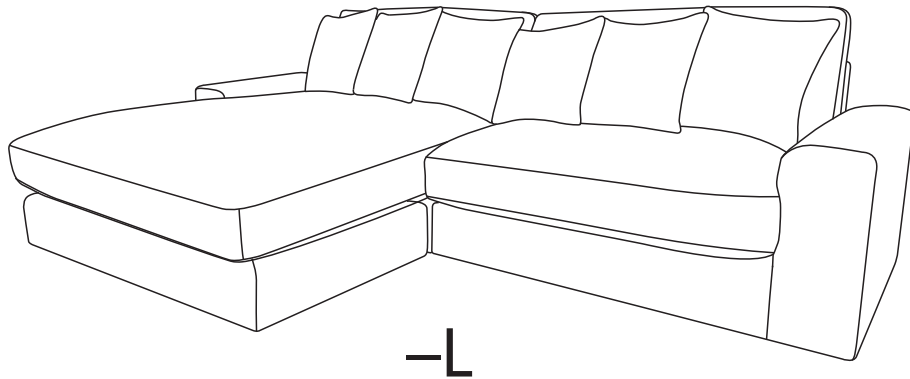
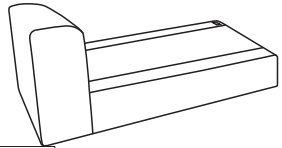


# ASSEMBLY INSTRUCTION

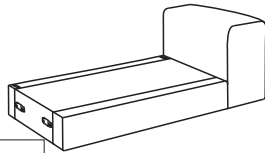
ITEM NO.:81338/81339



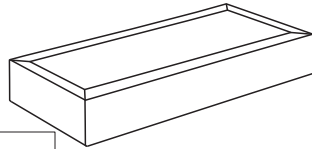
## PARTS LIST



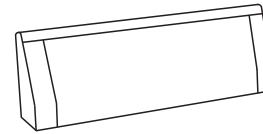
**A** X1



**B** X1



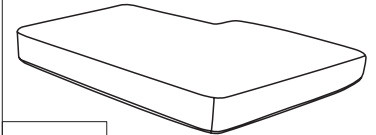
**C** X1



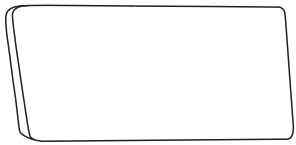
**D** X2



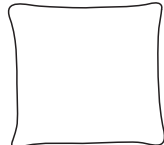
**E** X1



**F** X1

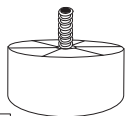


**G** X2



**H** X6

## HARDWARE LIST

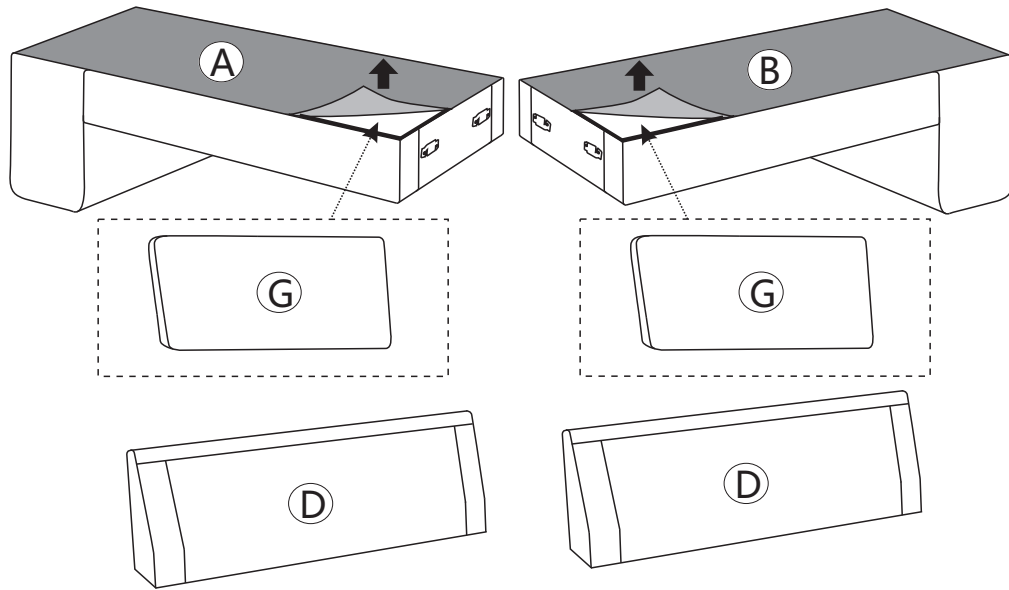


**1** X12

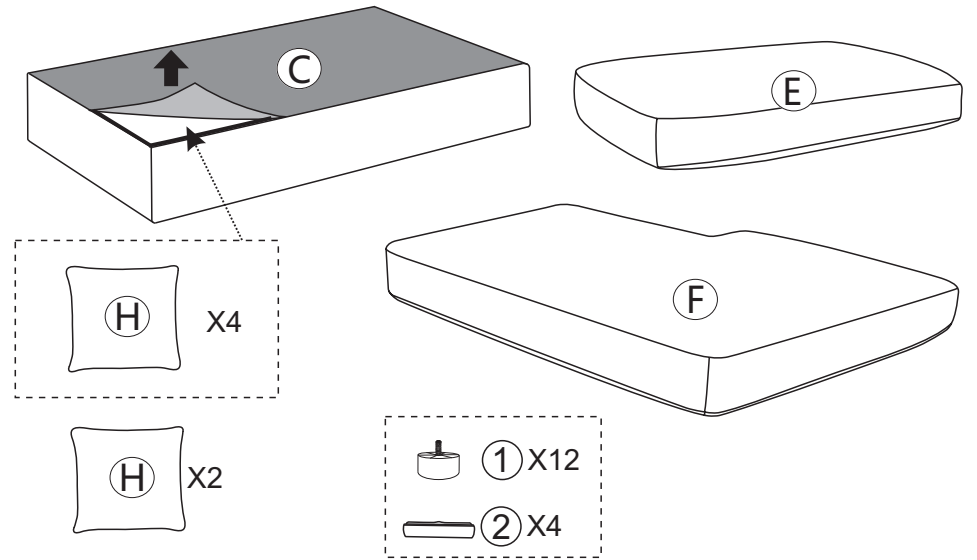


**2** X4

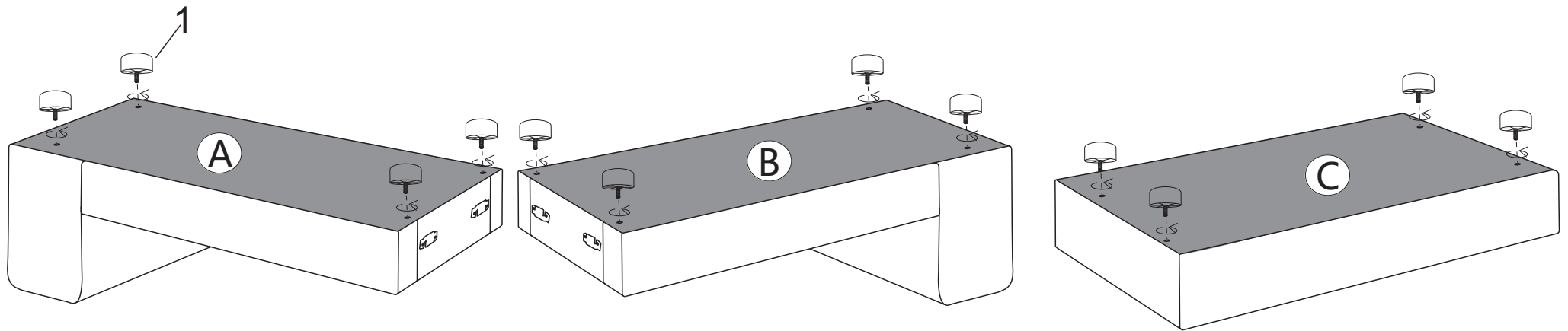
# BOX-1



# BOX-2

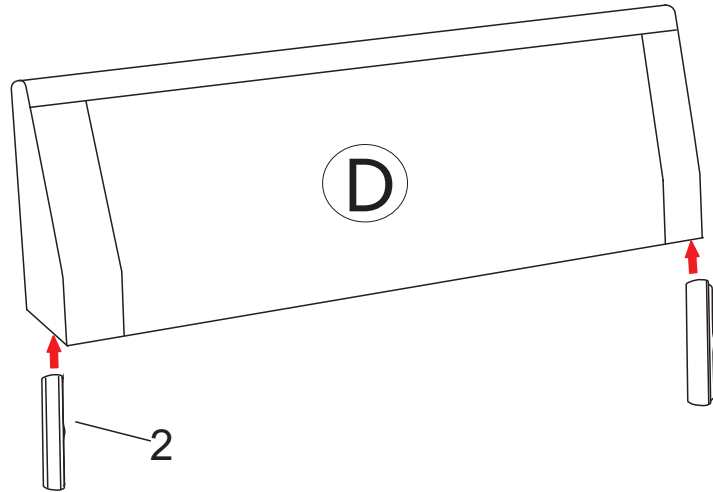


## Step1-L/R

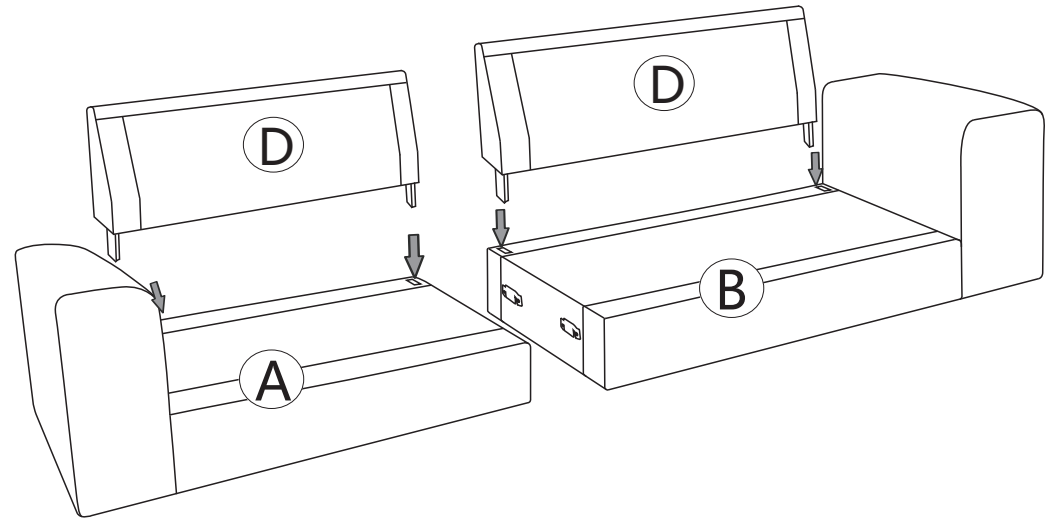


**Step2-L/R**

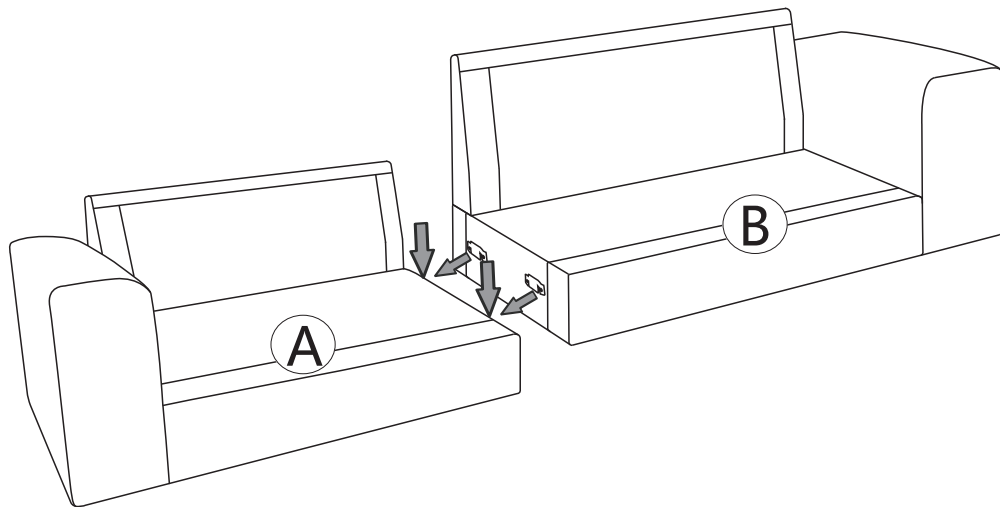
**Please pay attention to follow this step to assemble!**



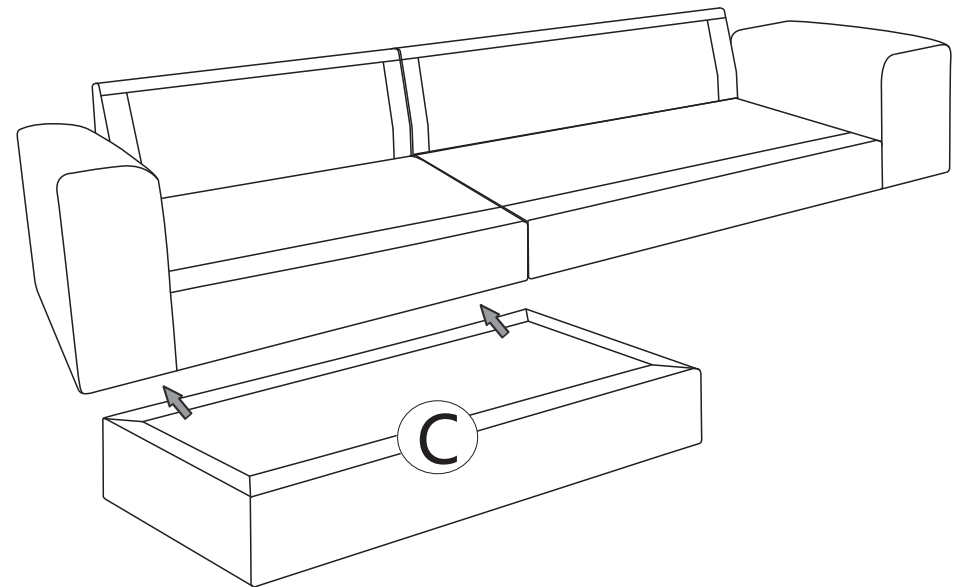
**Step3-L/R**



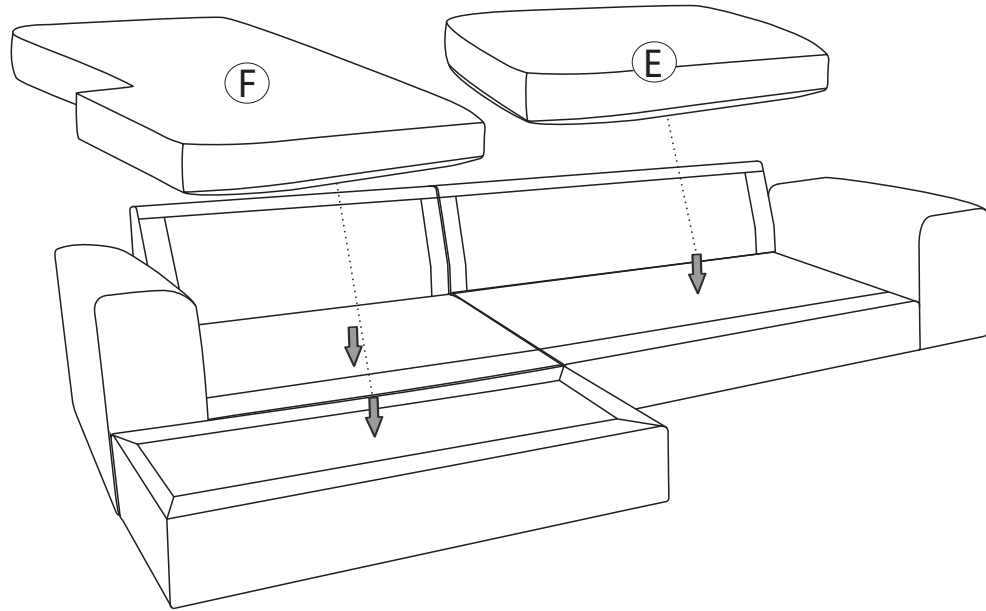
**Step4-L/R**



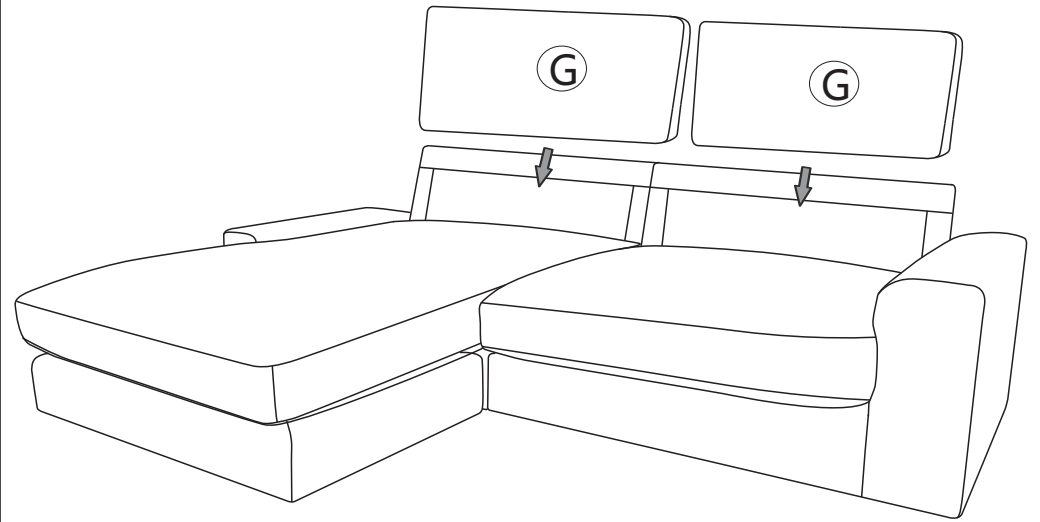
**Step5-L**



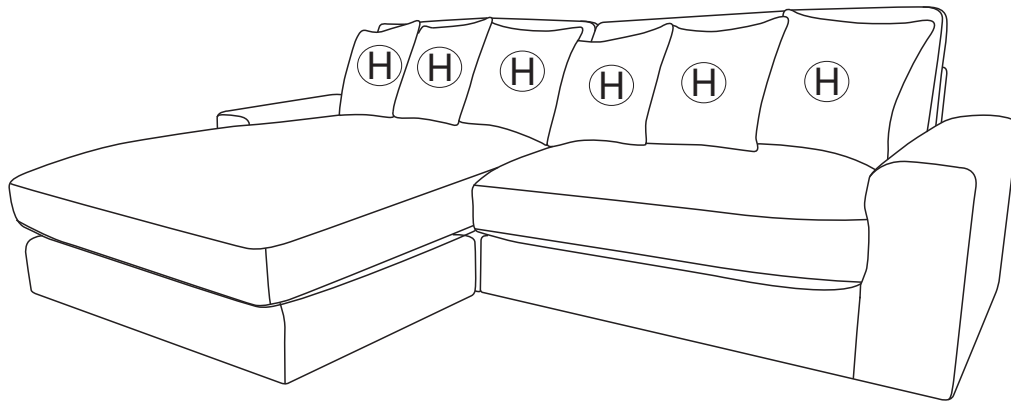
**Step6-L**



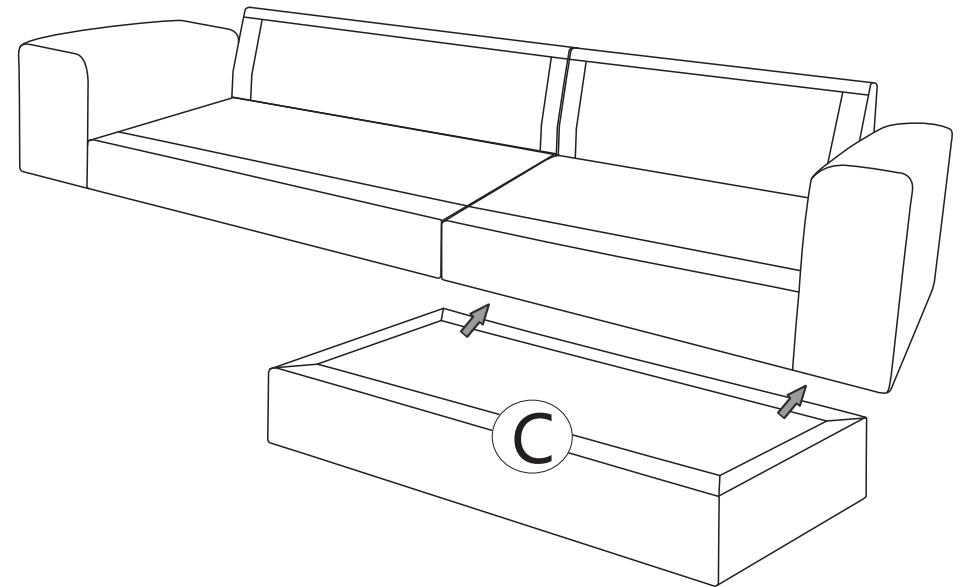
**Step7-L**



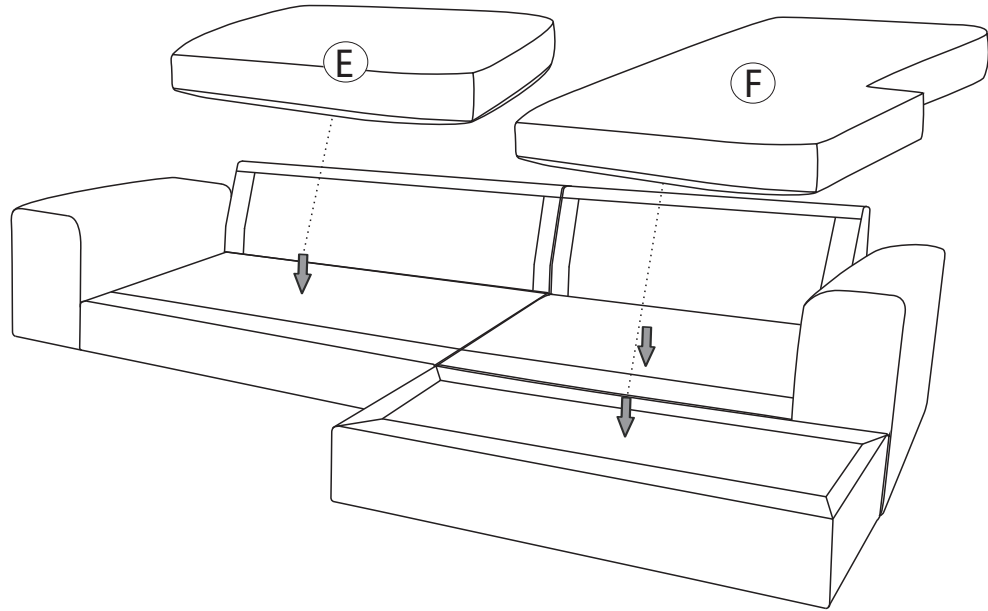
**Step8-L**



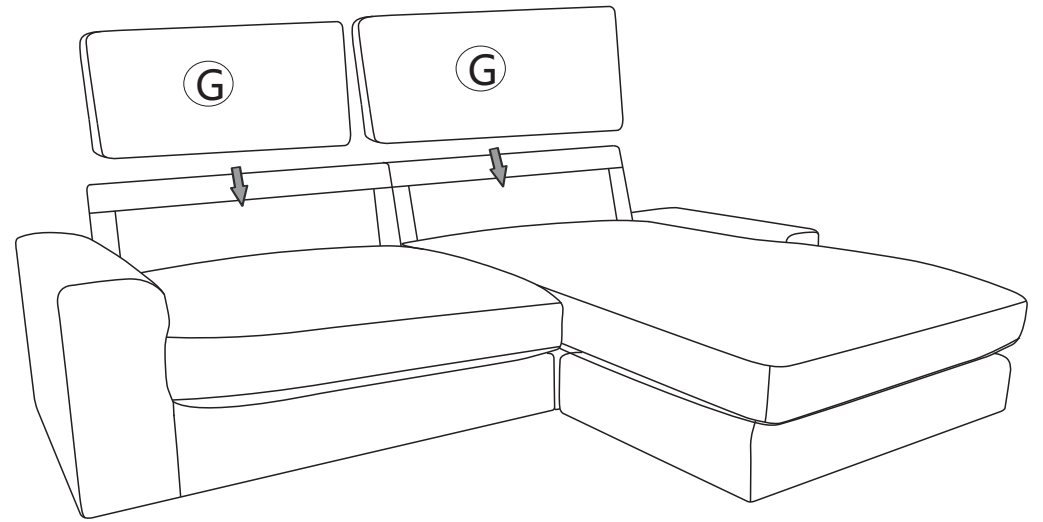
**Step5-R**



**Step6-R**



**Step7-R**



**Step8-R**

