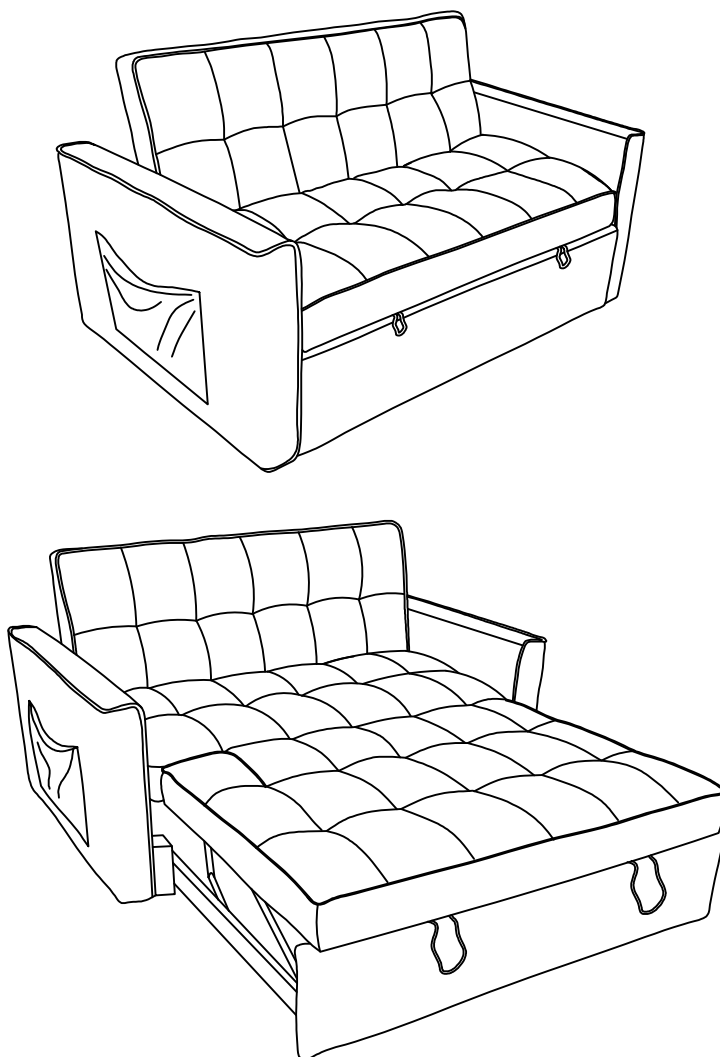


# ASSEMBLY INSTUCTIONS



ITEMNO..81418


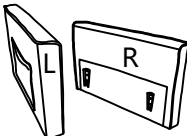
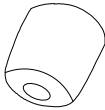
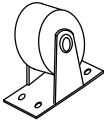
---

## NOTE:

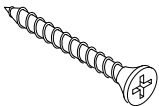

This brochure contains IMPORTANT safty info. Please read and keep for future reference.

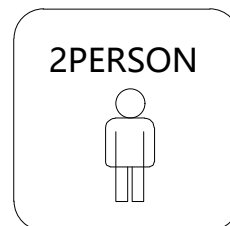
---

# PARTS LIST

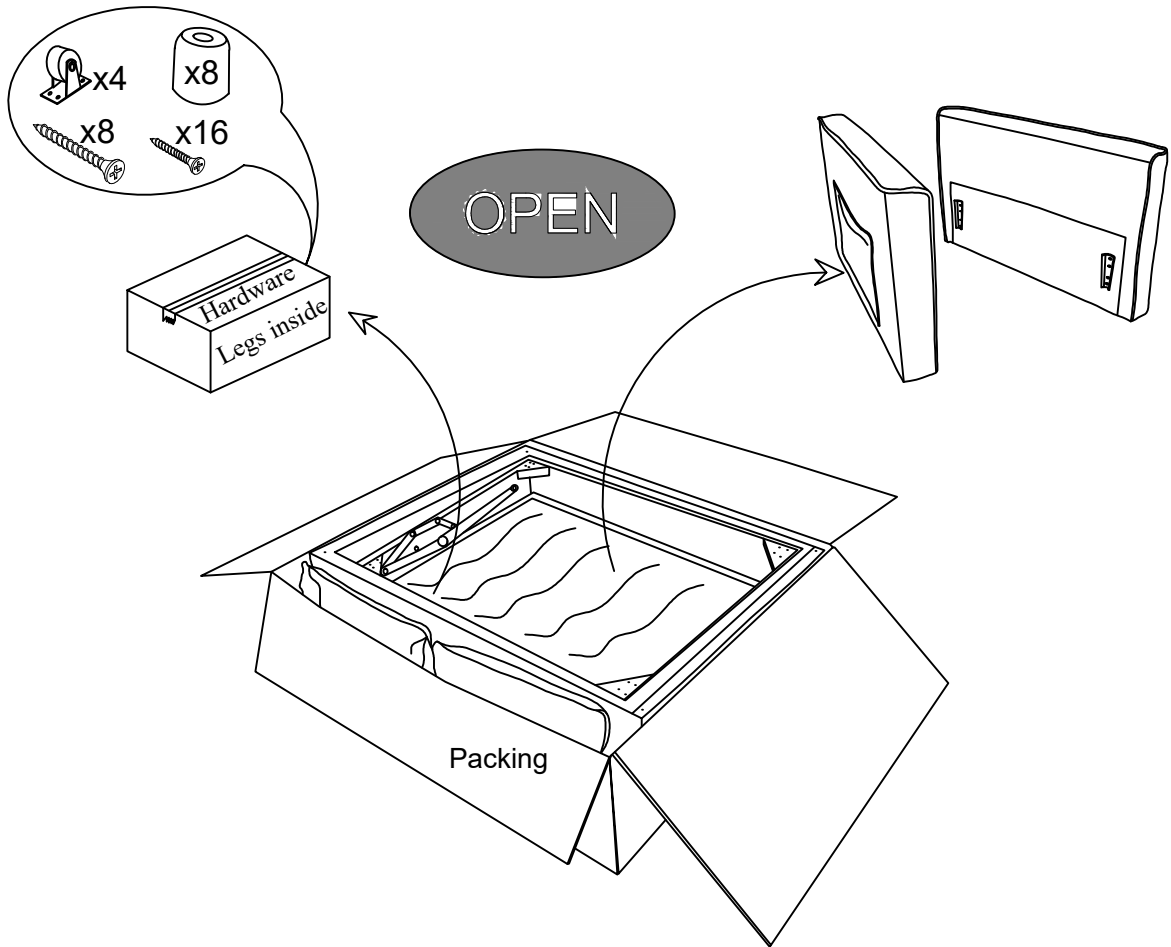
A	x1	B	x1	C	x8	D	x4
							
Chaise seat		Armrest		Legs		Rotating Wheel	

# HARDWARE LIST

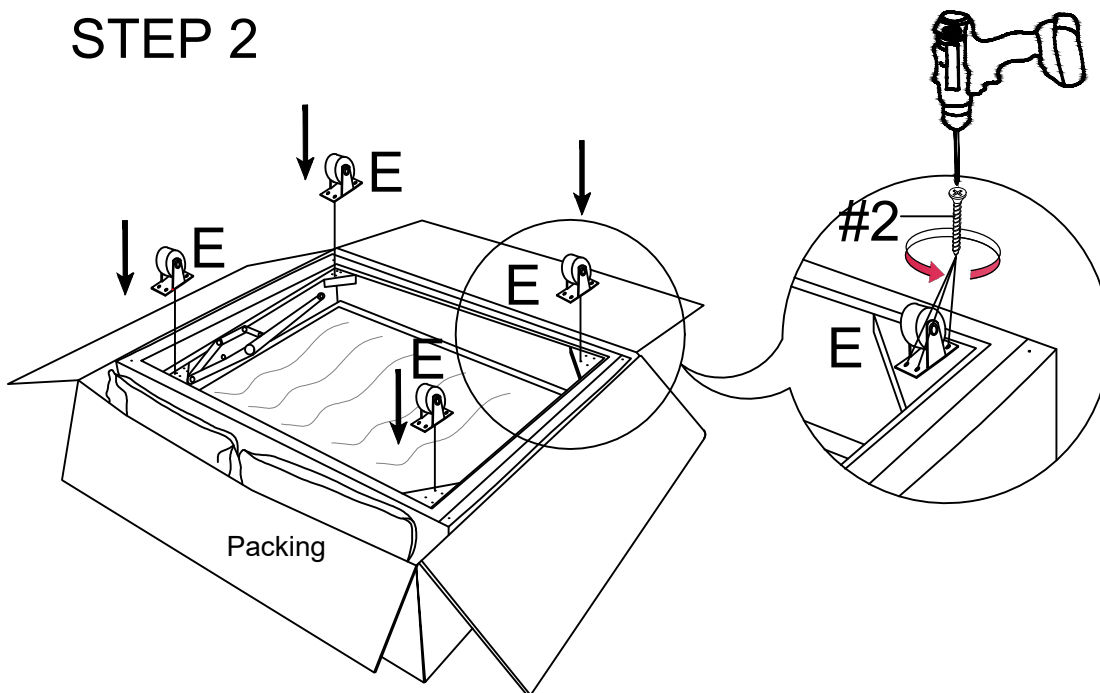
#1	x8	#2	x16
			
Screw #4*40mm		Screw #3.5*20mm	




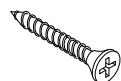
# STEP 1



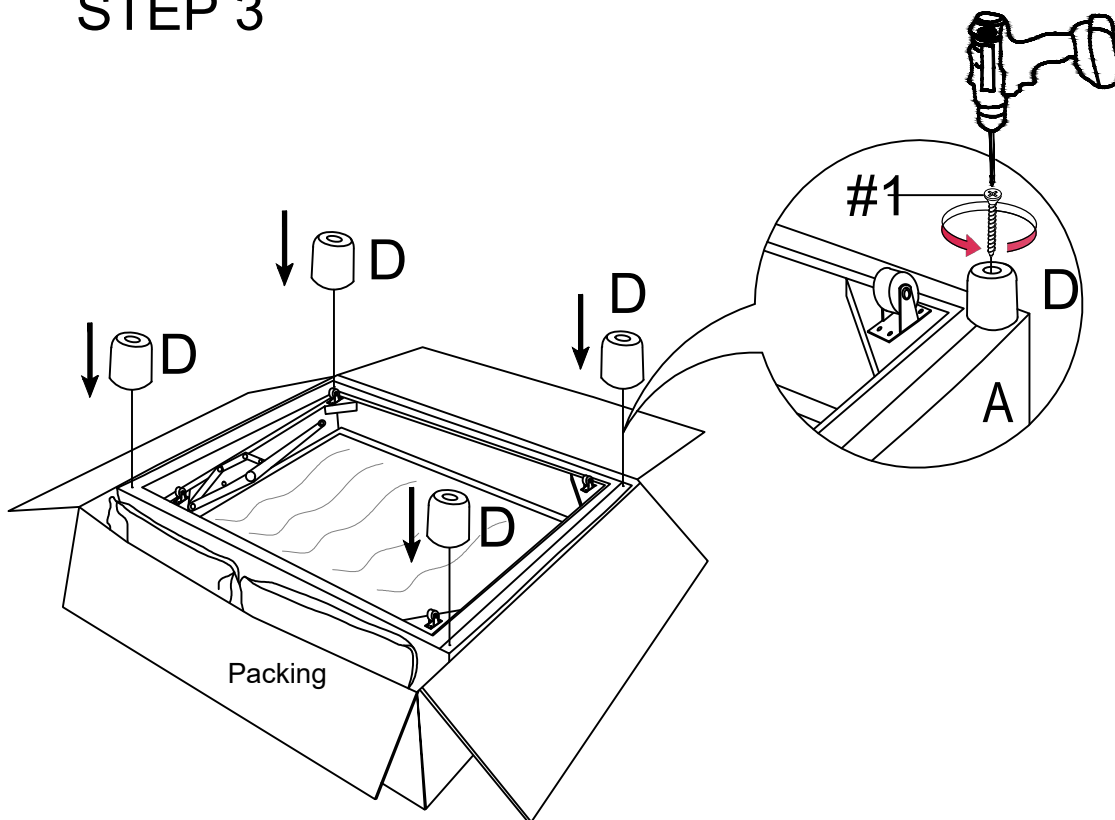
# STEP 2



E	x4
	
Pillow	

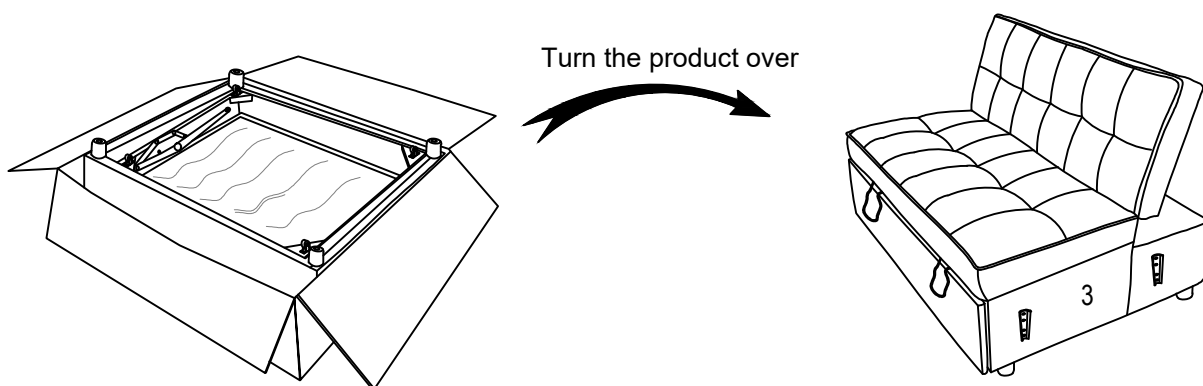
#2	x16
	
Screw #3.5*20mm	

# STEP 3

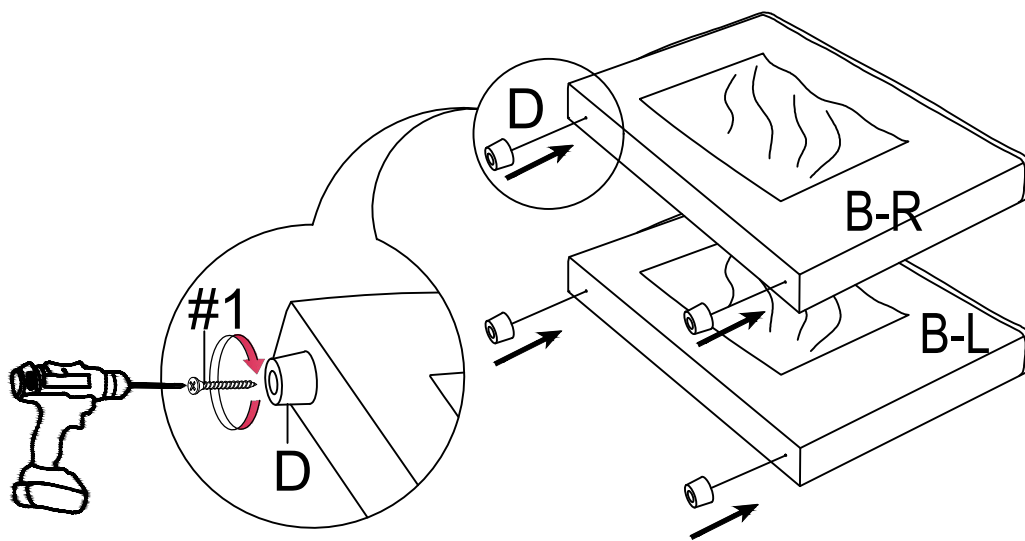


D	x4
Legs	
#1	x4
Screw #4*40mm	

# STEP 4

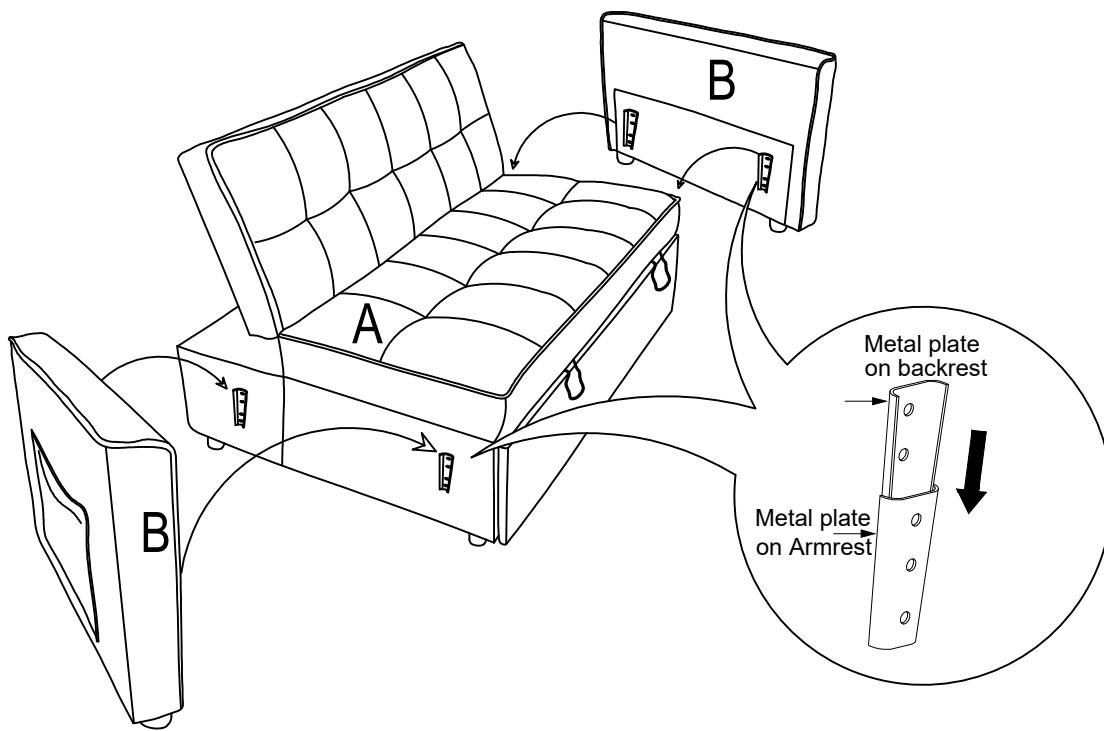


# STEP 5



D	x4
<p>Legs</p>	
#1	x4
<p>Screw #4*40mm</p>	

# STEP 6



COMPLETED

