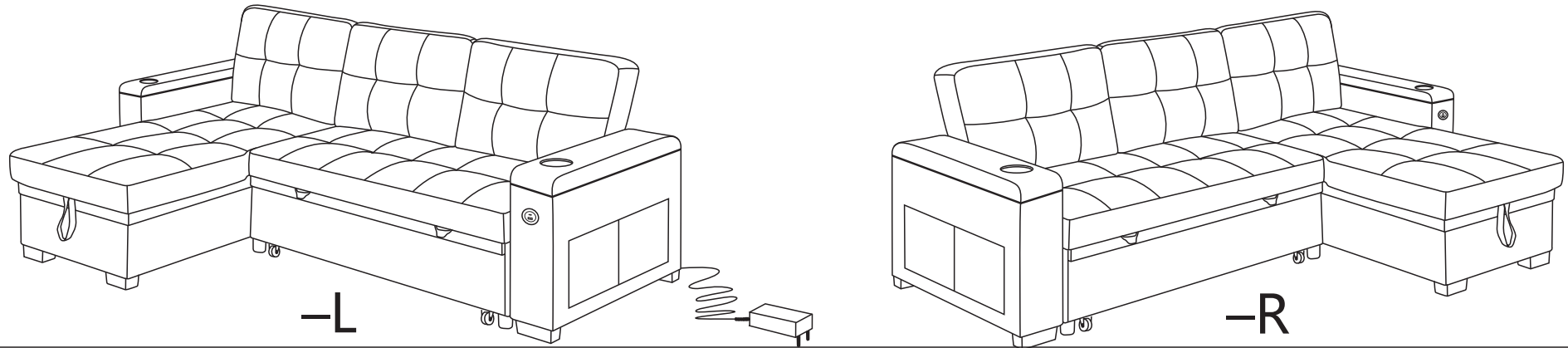
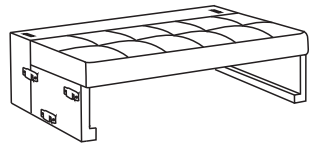


ASSEMBLY INSTRUCTION

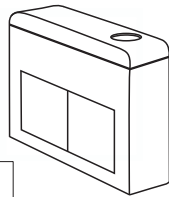
ITEM NO.:



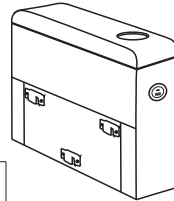
PARTS LIST



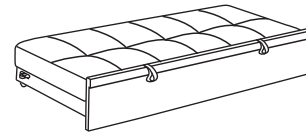
A X1



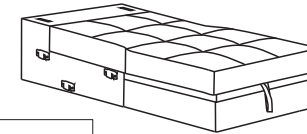
B X1



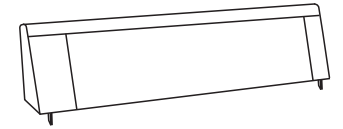
C X1



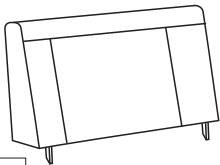
D X1



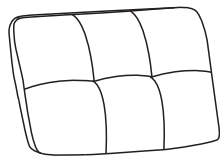
E X1



F X1

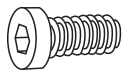


G X1



H X3

HARDWARE LIST



1 M6X25 X8



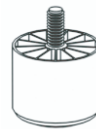
2 M4 X1



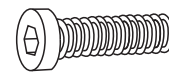
3 X6



4 X4



5 X6

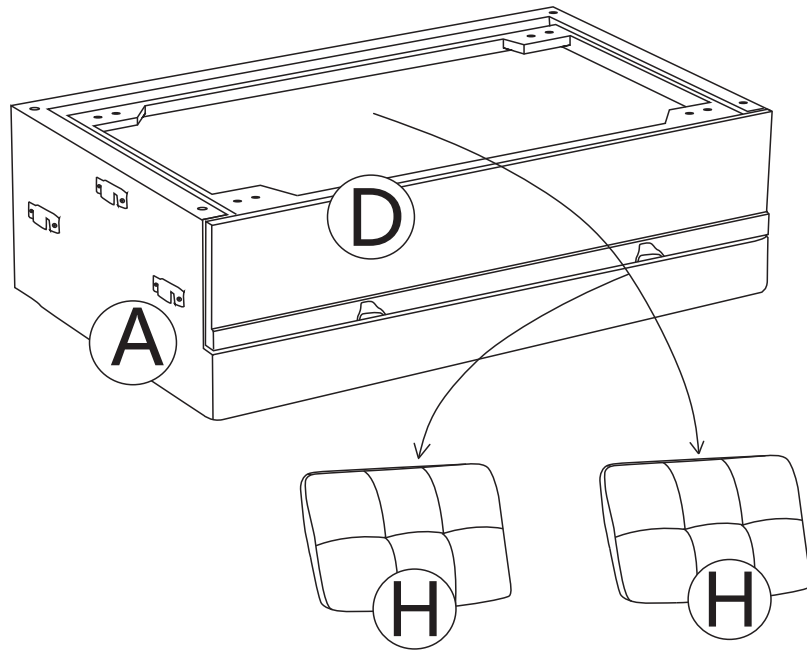


6 M8X60 X6

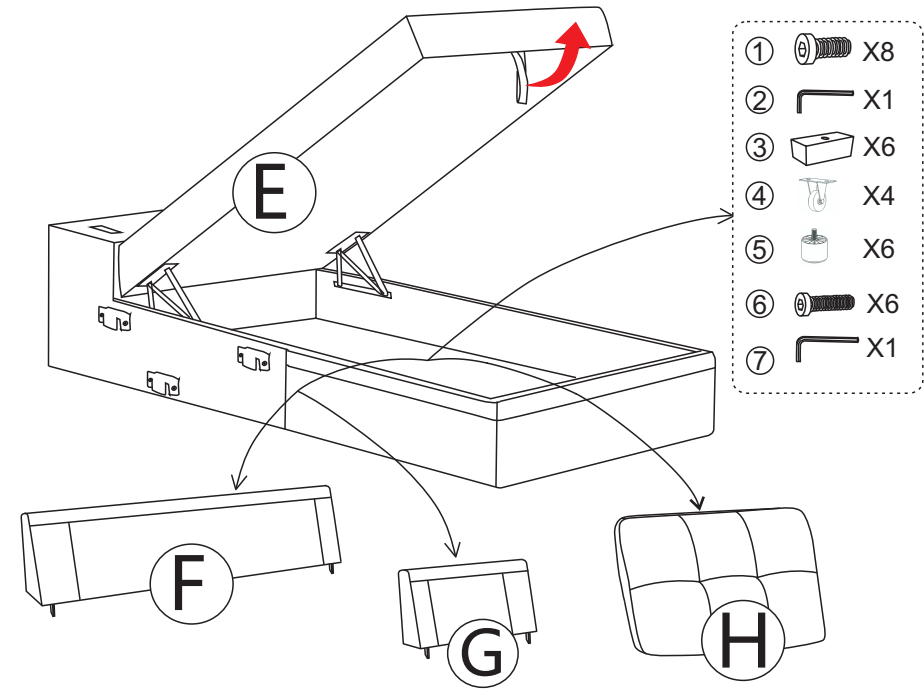


7 M5 X1

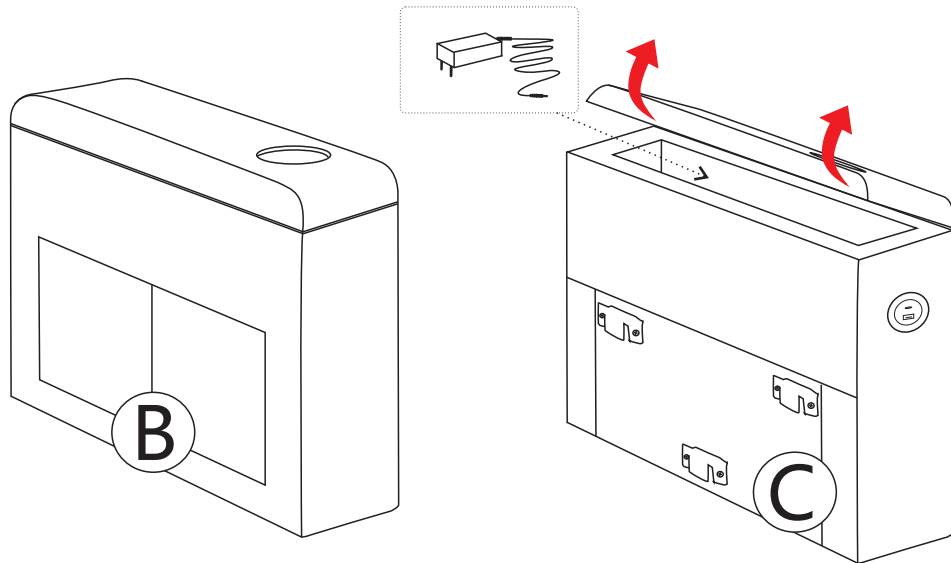
BOX -1 HARDWARE LIST



BOX -2 HARDWARE LIST



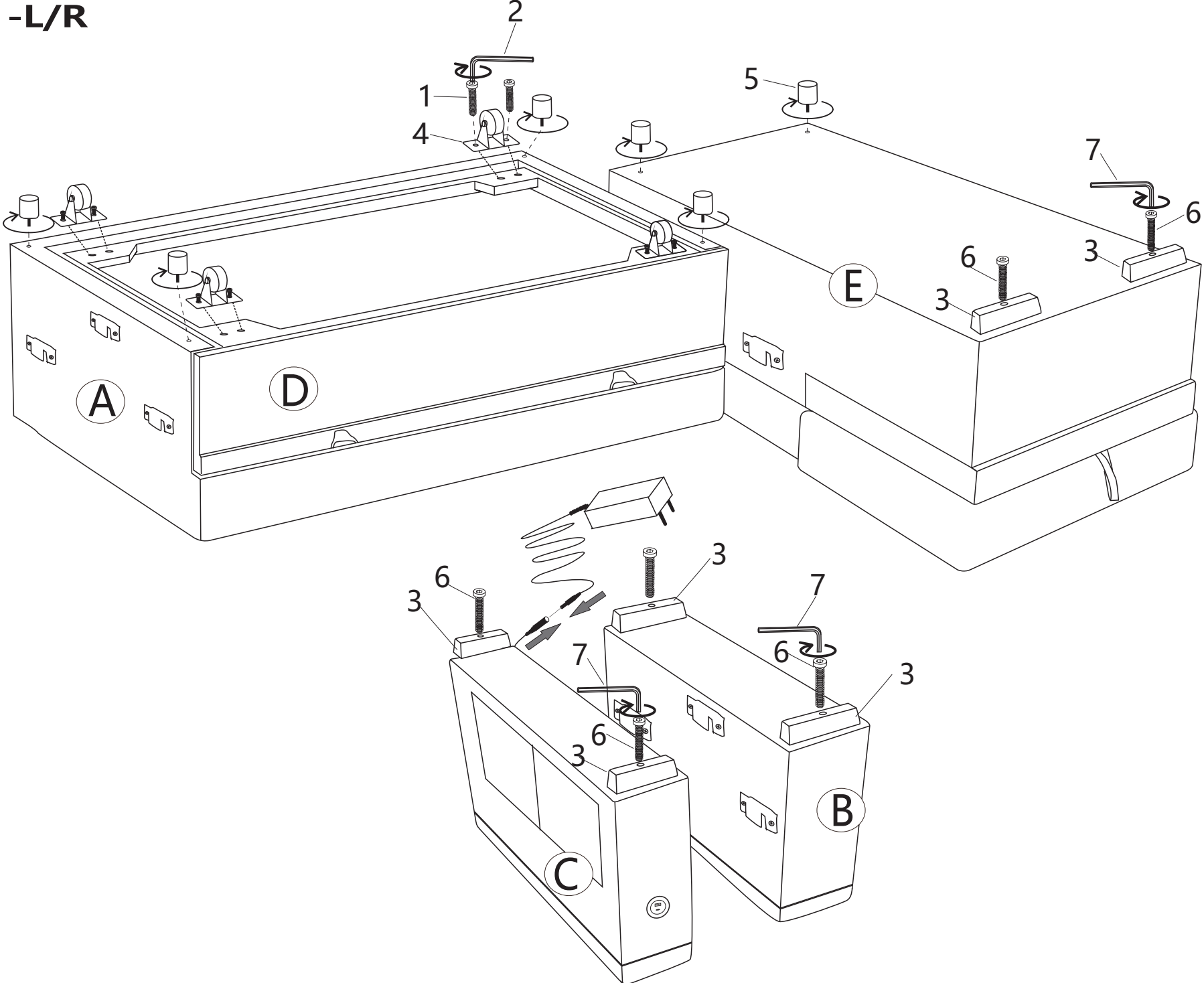
BOX -3 HARDWARE LIST



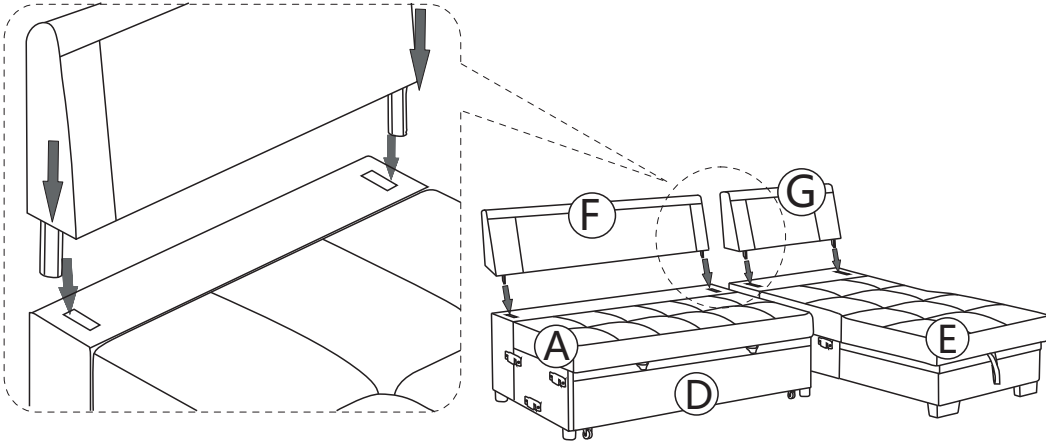
Unpacking steps:

- 1. BOX-2**
- 2. BOX-1**
- 3. BOX-3**

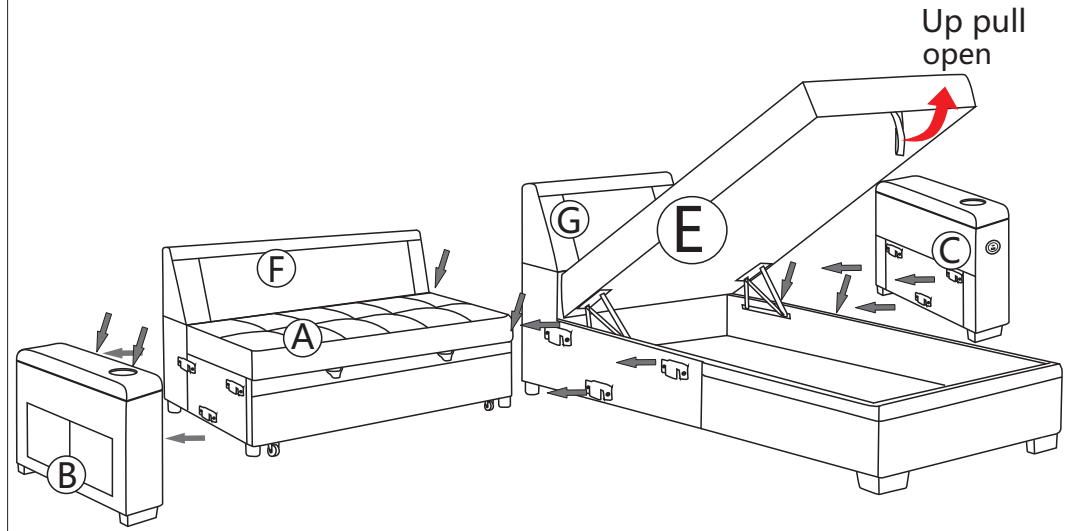
Step1-L/R



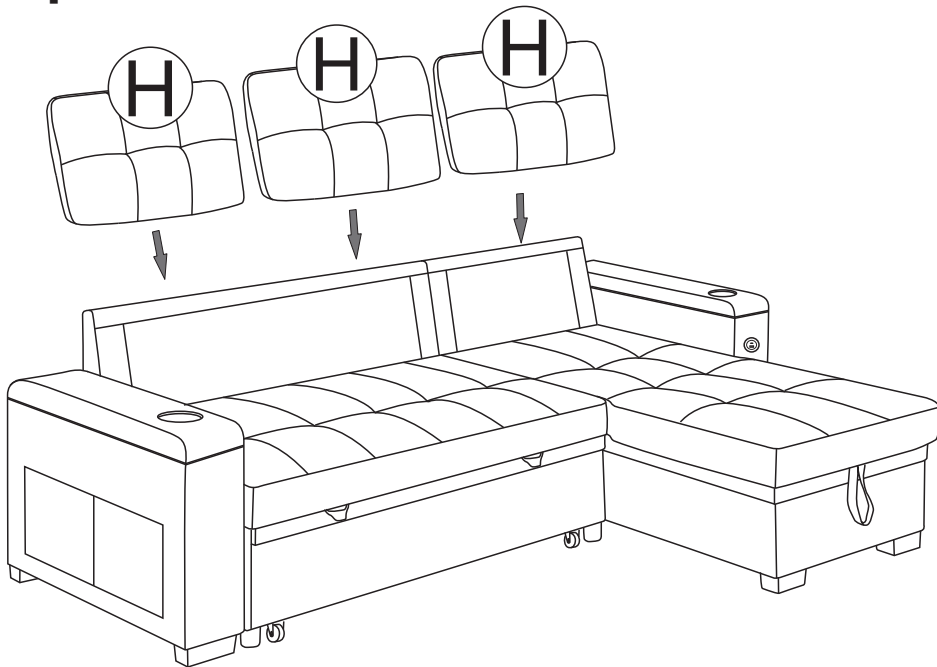
Step2-L/R



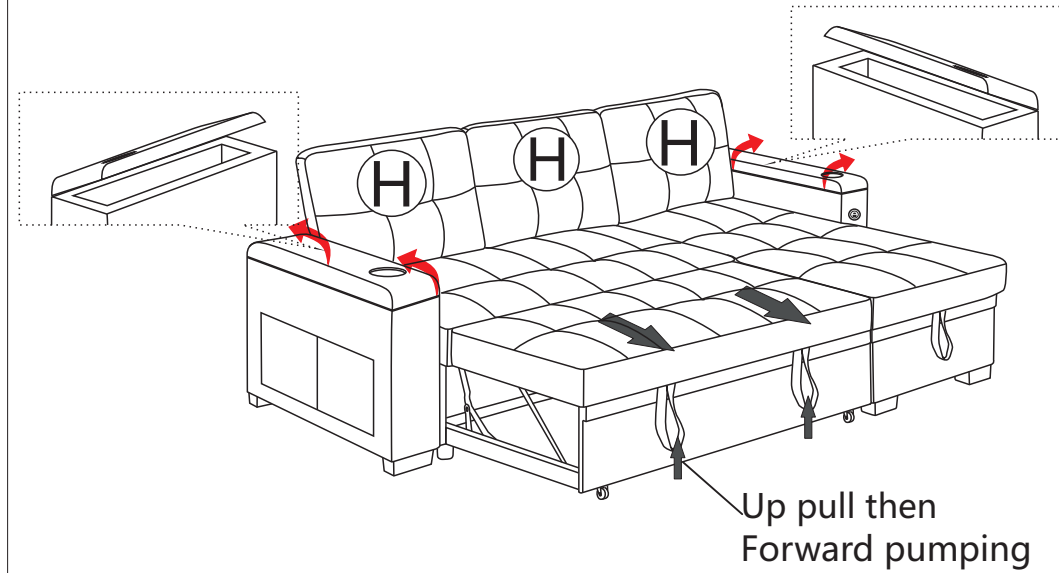
Step3-R



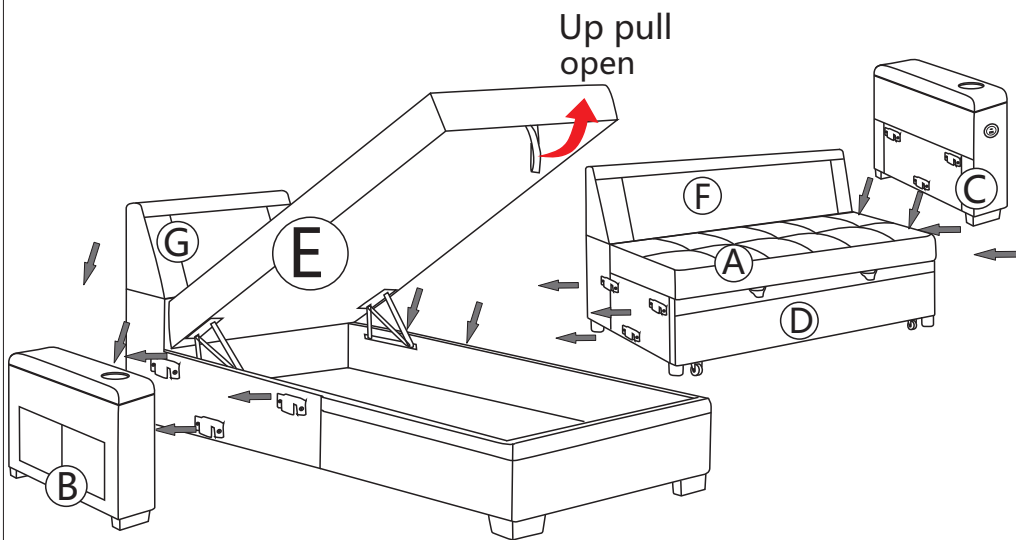
Step4-R



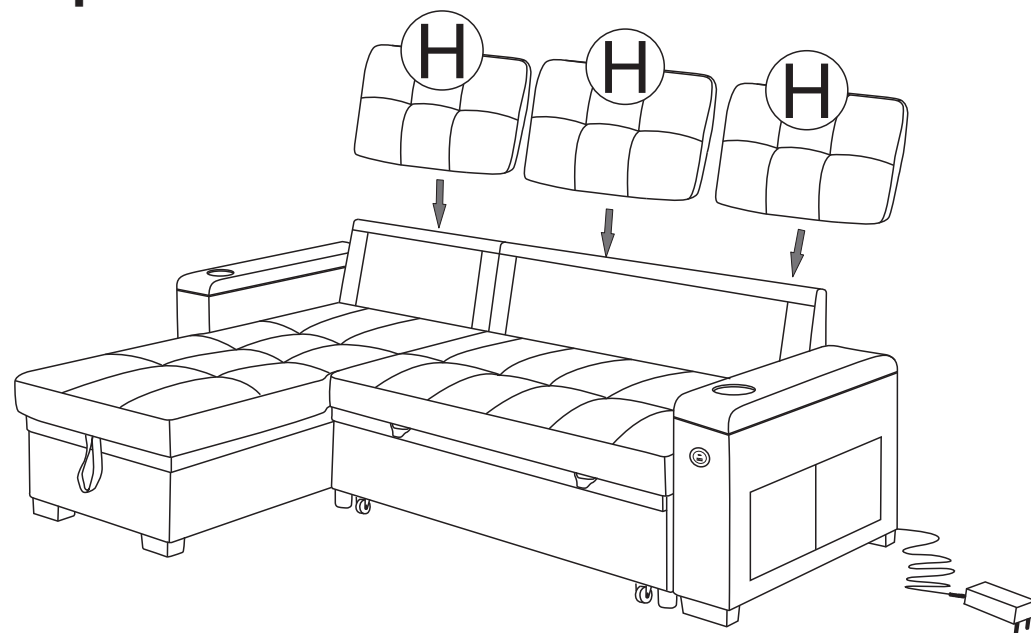
Step5-R



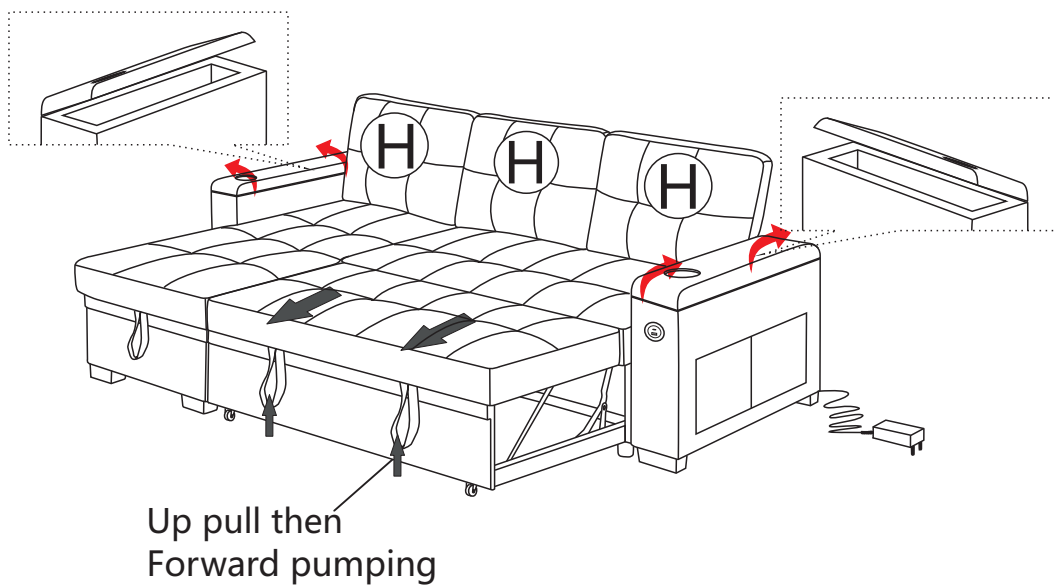
Step3-L



Step4-L



Step5-L



Step6-L

