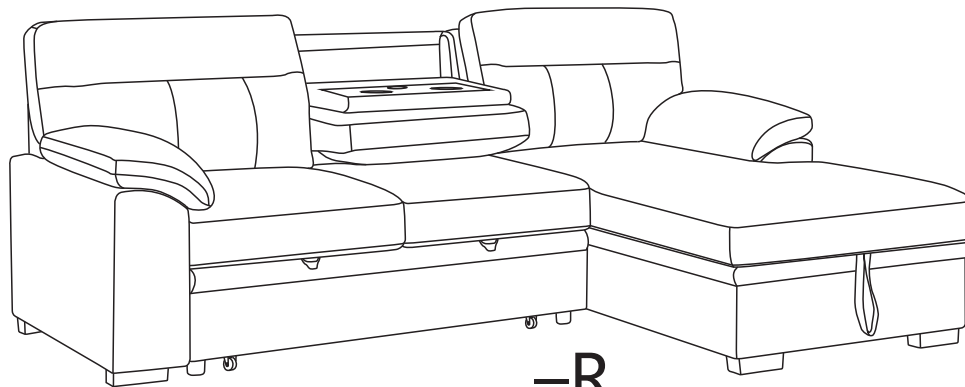


ASSEMBLY INSTRUCTION

ITEM NO.:81455/81456/81457/81458



-R

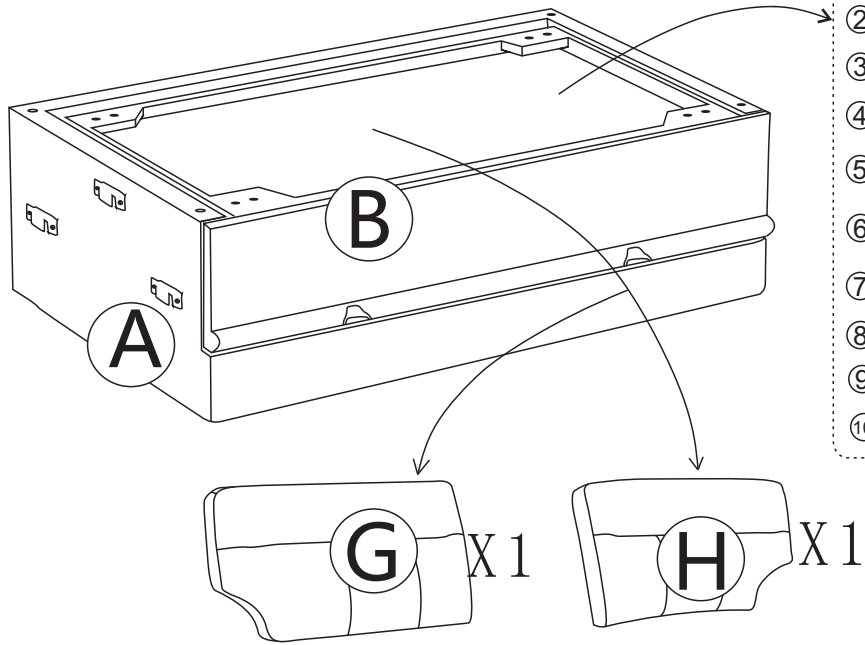
PARTS LIST

A X1	B X1	C X1	D X1	E X1	F X1
G X1	H X1				10 X1

HARDWARE LIST

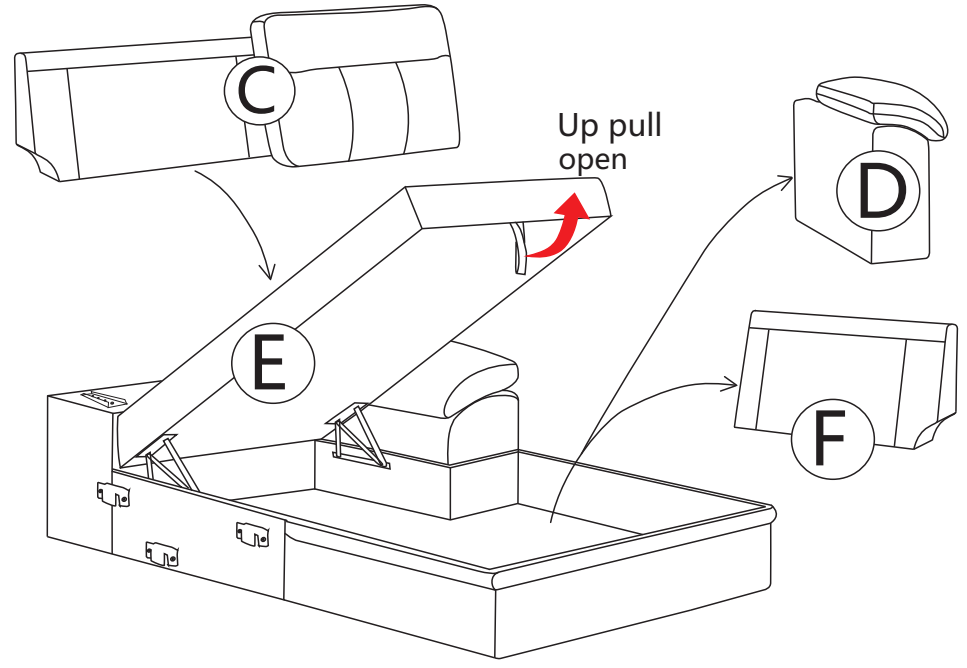
1 M6X25 X8	2 M4 X1	3 X5	4 X4	5 X6	6 M8X60 X5	7 M5 X1	8 X10	9 X1

BOX -1 HARDWARE LIST

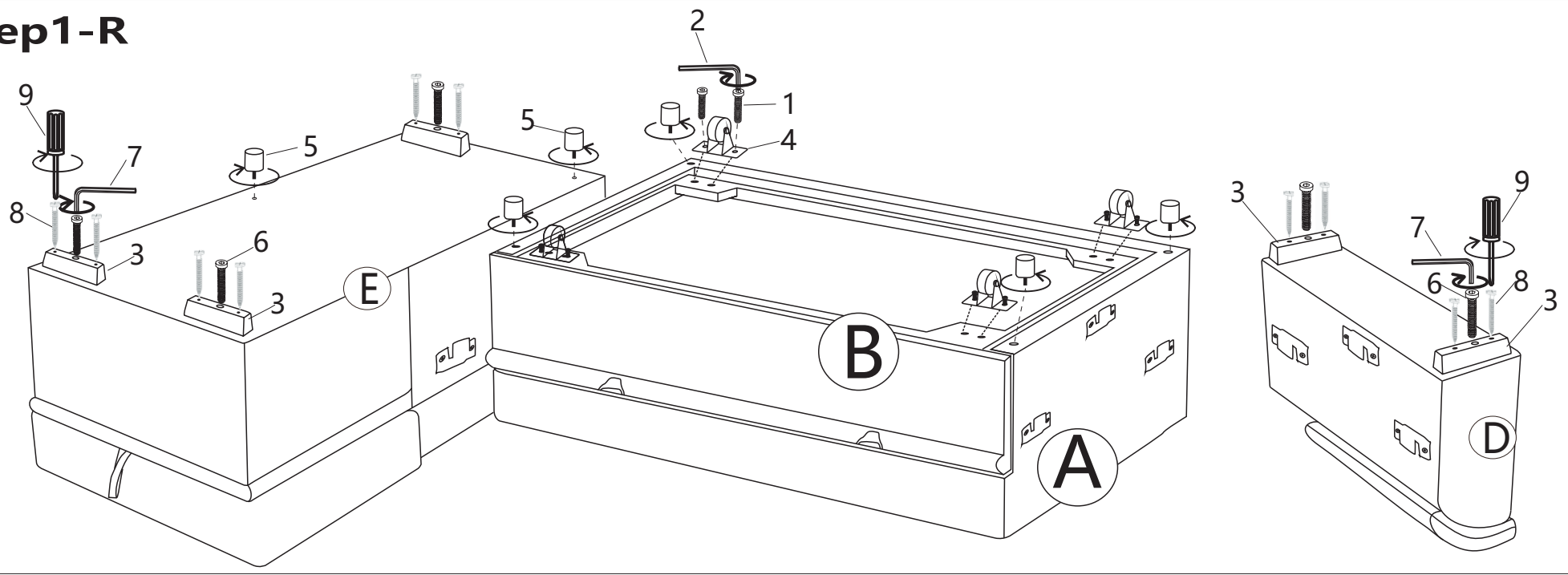


- ① X8
- ② X1
- ③ X5
- ④ X4
- ⑤ X6
- ⑥ X5
- ⑦ X1
- ⑧ X10
- ⑨ X1
- ⑩ X1

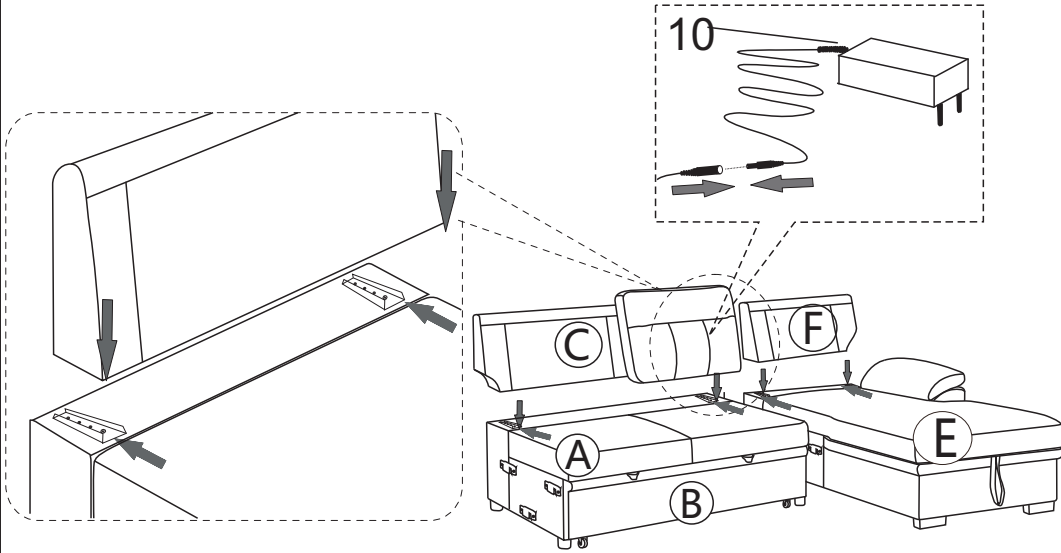
BOX -2 HARDWARE LIST



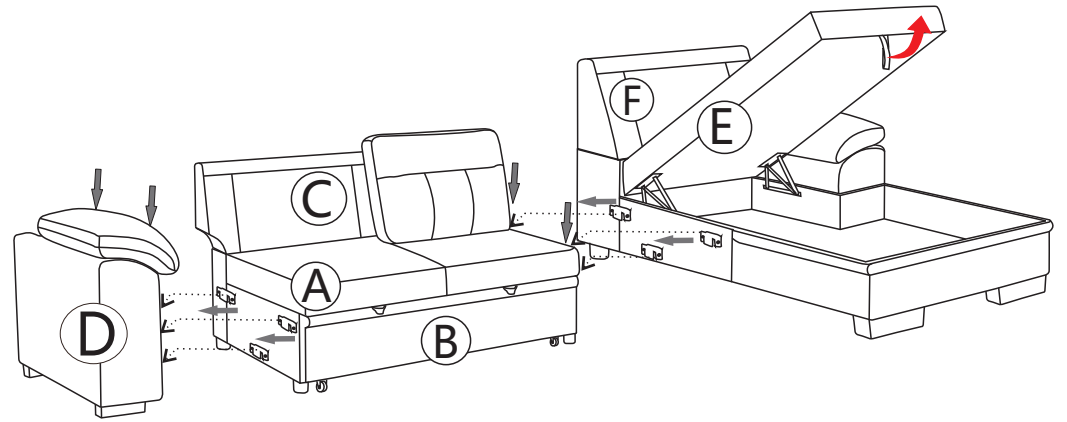
Step1-R



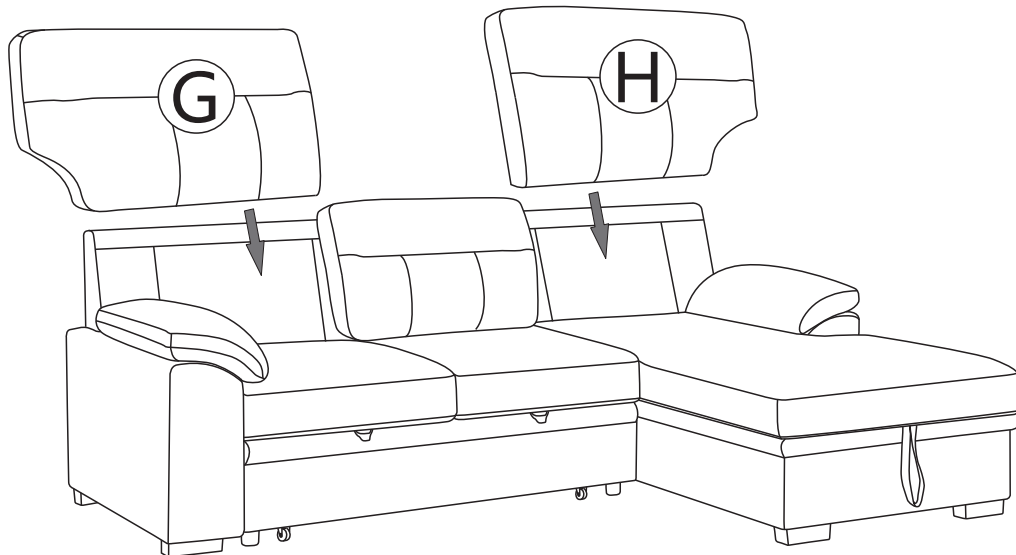
Step2-R



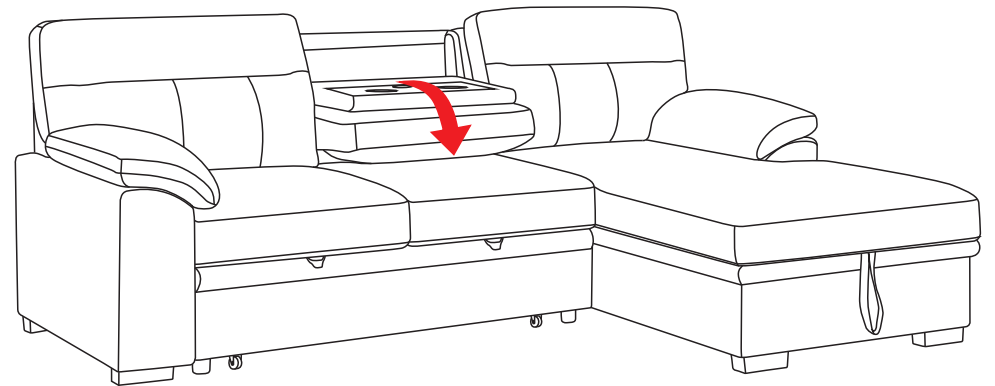
Step3-R



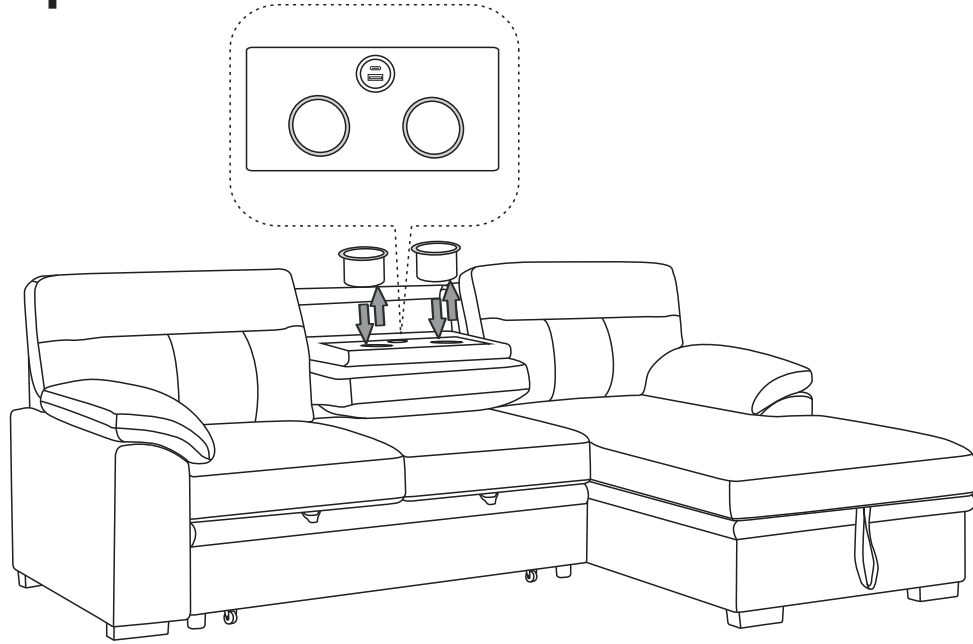
Step4-R



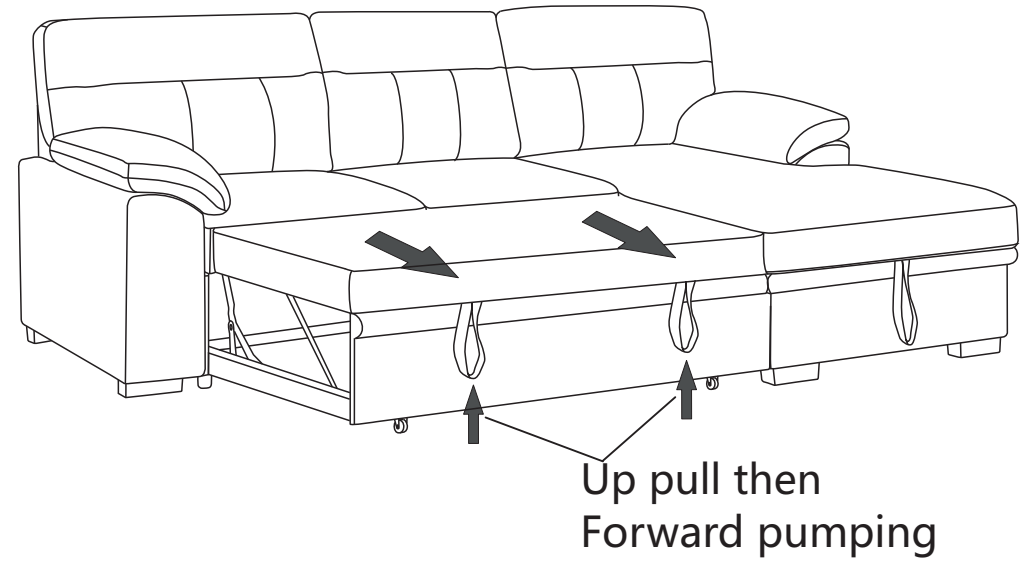
Step5-R



Step6-R



Step7-R



Step8-R

