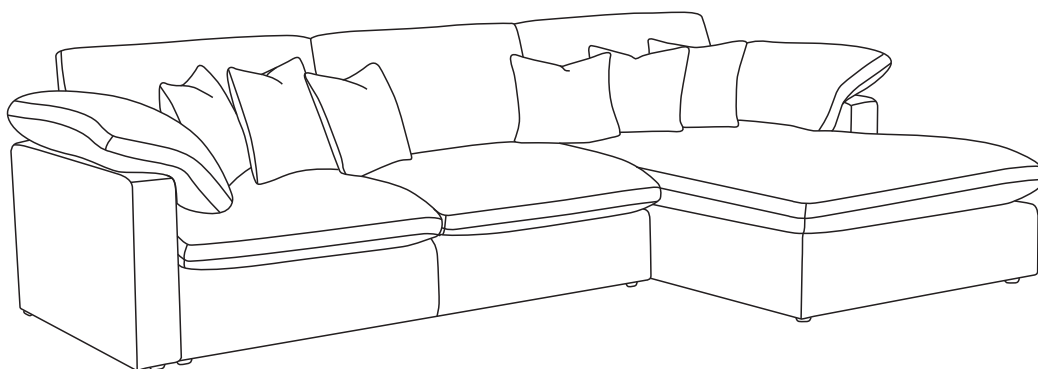


# ASSEMBLY INSTRUCTION

ITEM NO.:81480



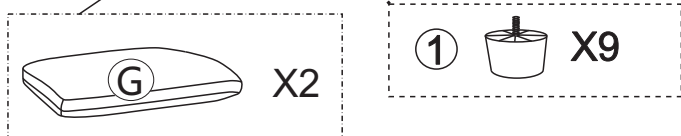
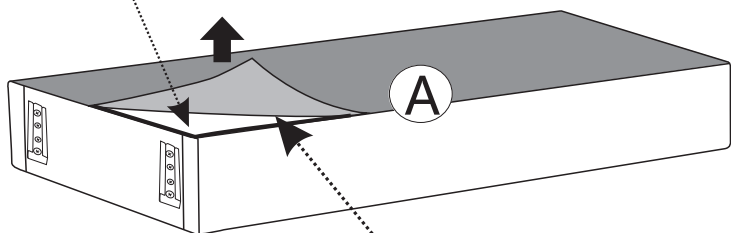
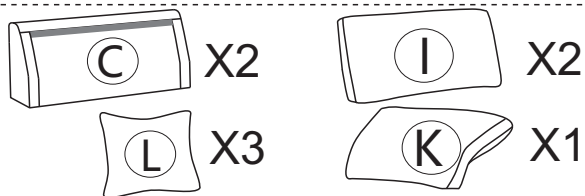
## PARTS LIST

<b>A</b> X1	<b>B</b> X1	<b>C</b> X2	<b>D</b> X1	<b>E</b> X1	<b>F</b> X1
<b>G</b> X2	<b>H</b> X1	<b>I</b> X2	<b>J</b> X1	<b>K</b> X2	<b>L</b> X6

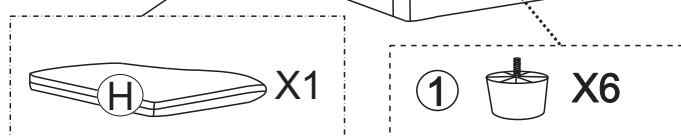
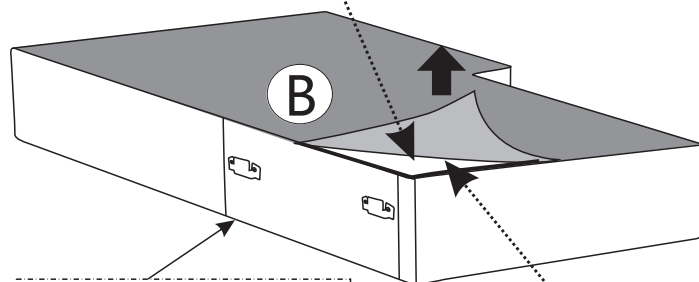
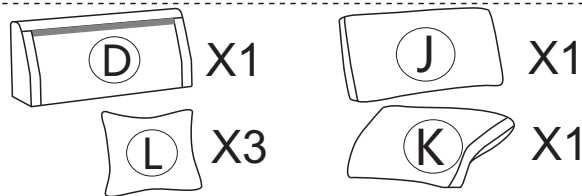
## HARDWARE LIST

<b>1</b> X15	

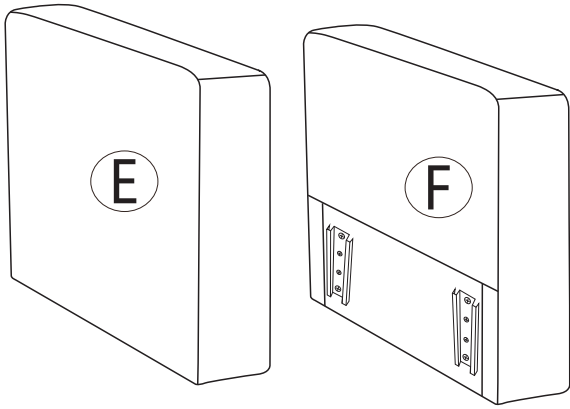
BOX-1



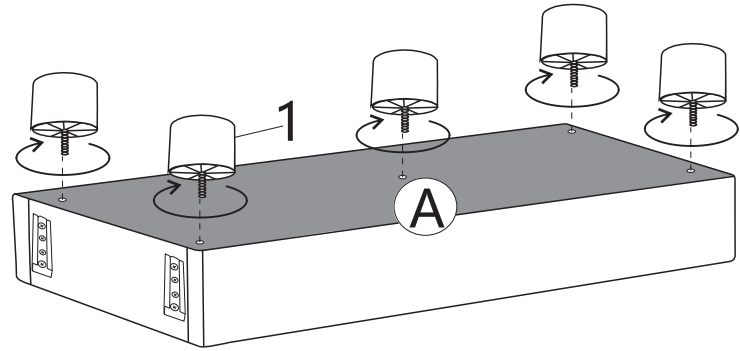
BOX-2



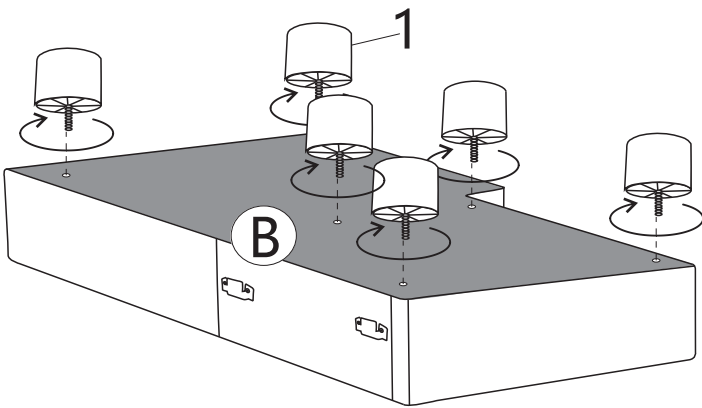
BOX-3



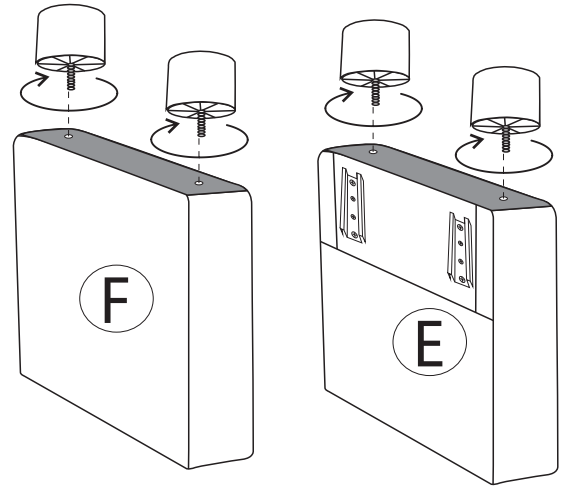
Step1



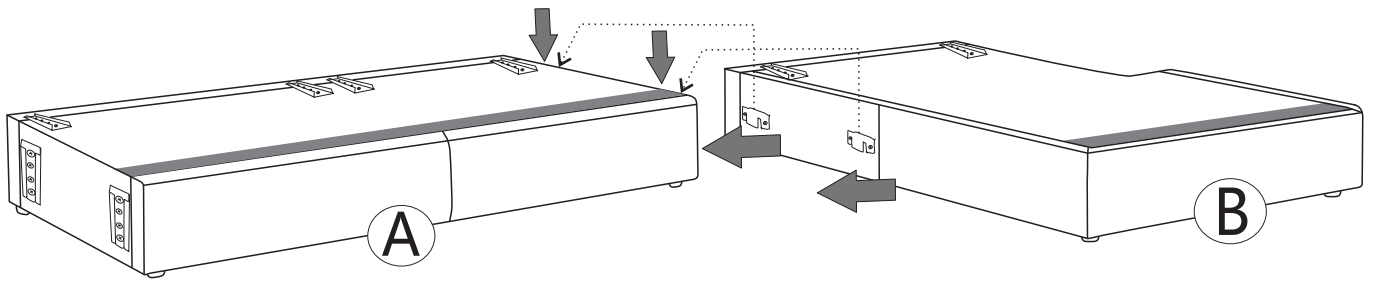
Step2



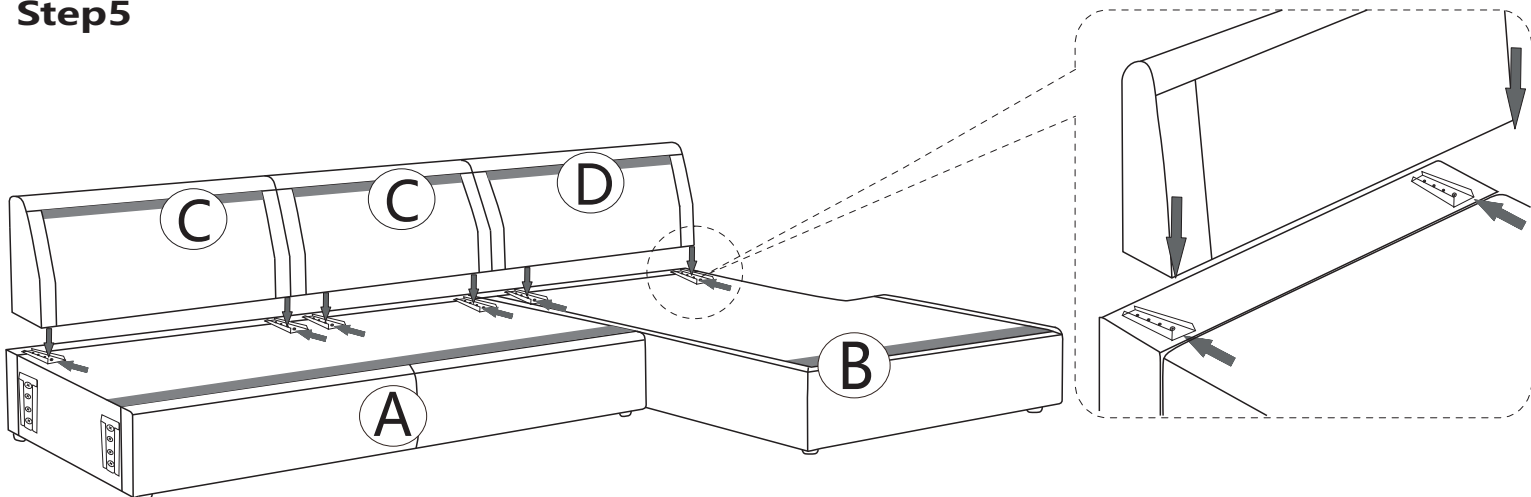
Step3



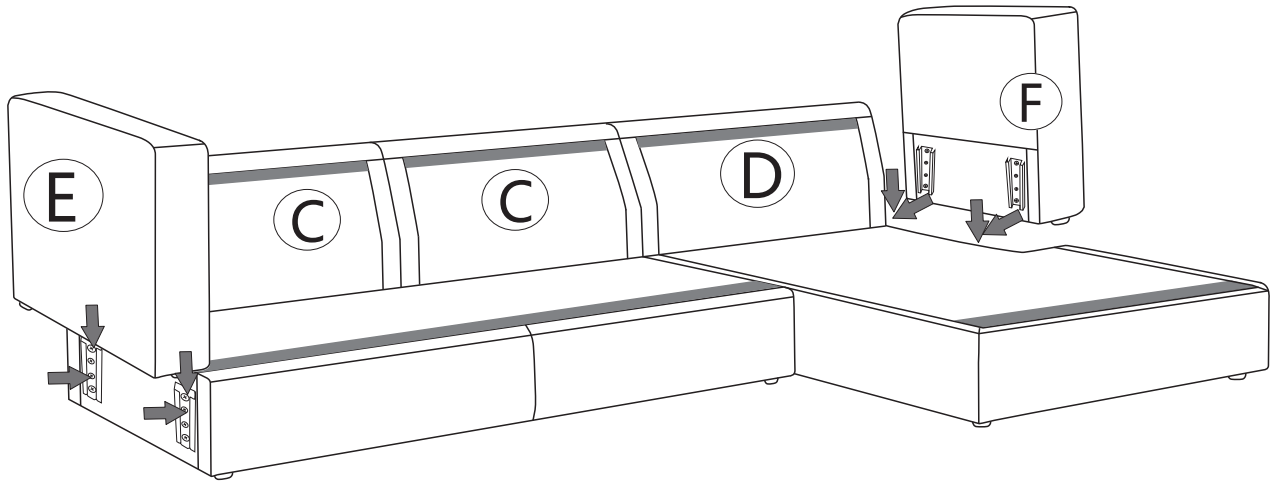
Step4



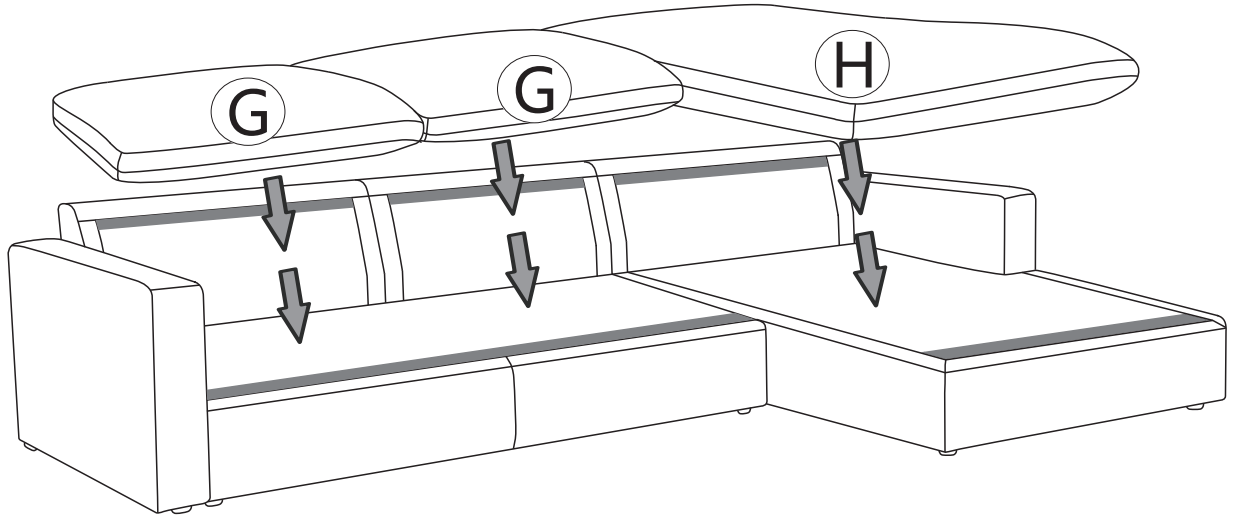
Step5



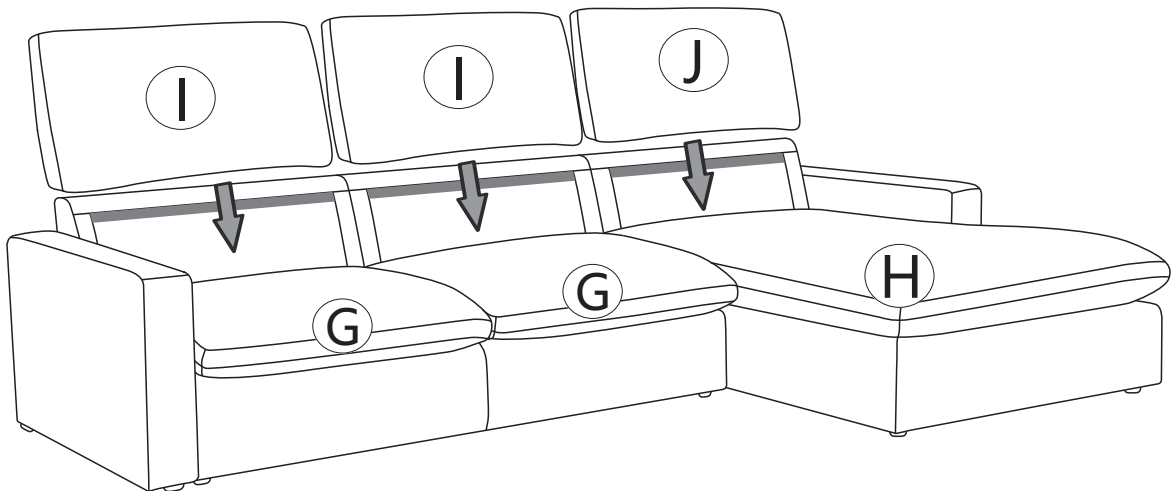
### Step6



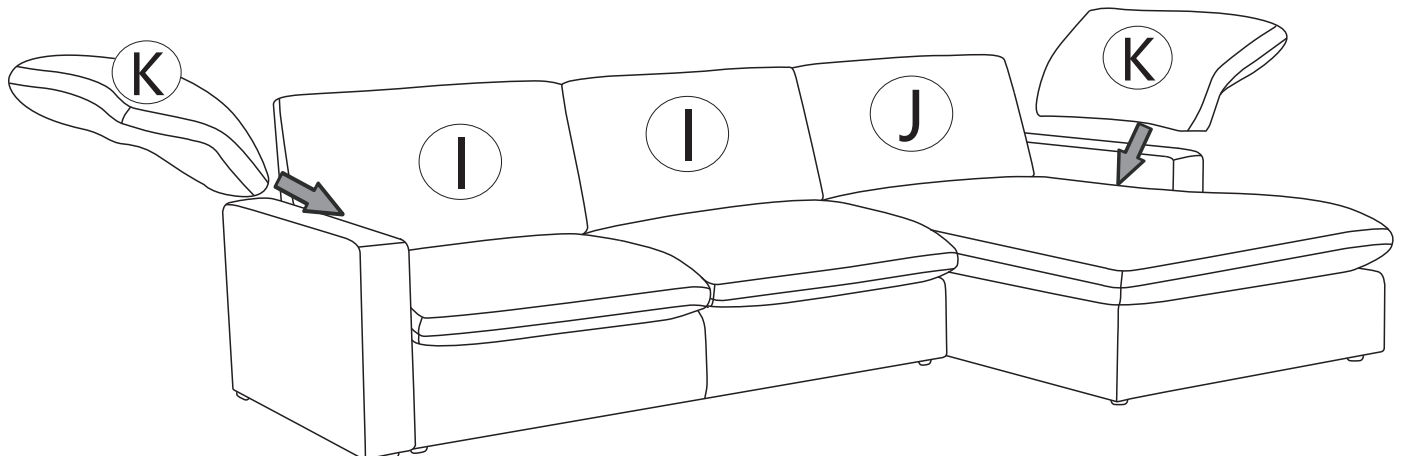
### Step7



### Step8



### Step9



**Step 10**

