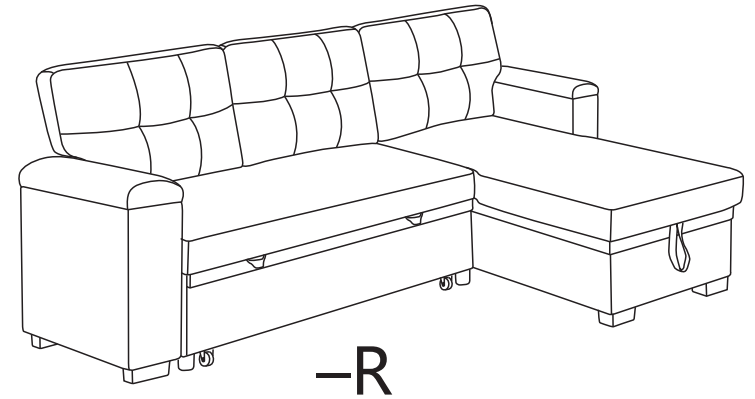
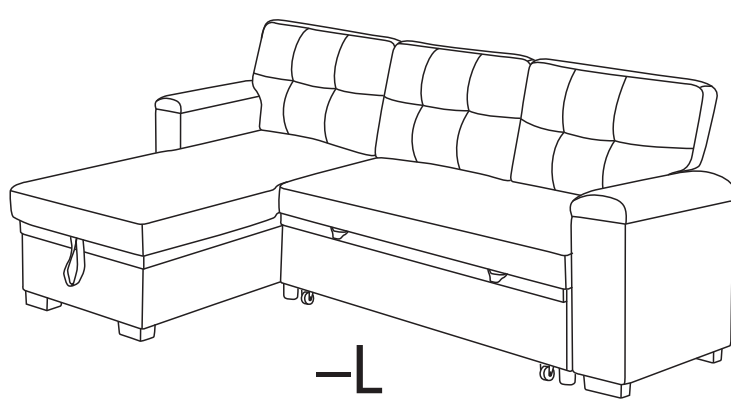
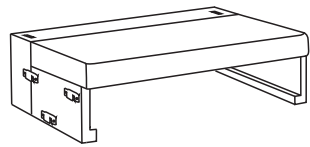


# ASSEMBLY INSTRUCTION

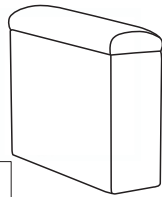
ITEM NO.:



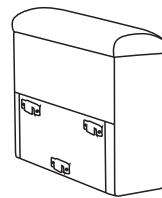
## PARTS LIST



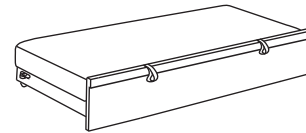
**A** X1



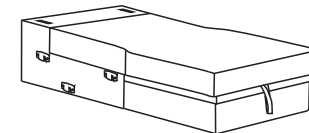
**B** X1



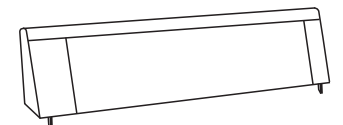
**C** X1



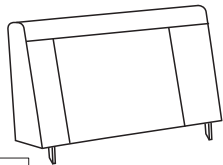
**D** X1



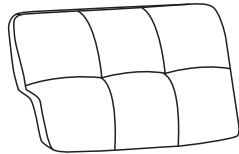
**E** X1



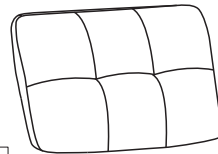
**F** X1



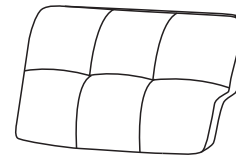
**G** X1



**H** X1

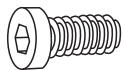


**I** X1



**J** X1

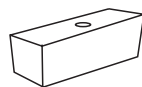
## HARDWARE LIST



**1** M6X25 X8



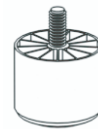
**2** M4 X1



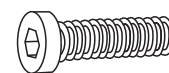
**3** X6



**4** X4



**5** X6

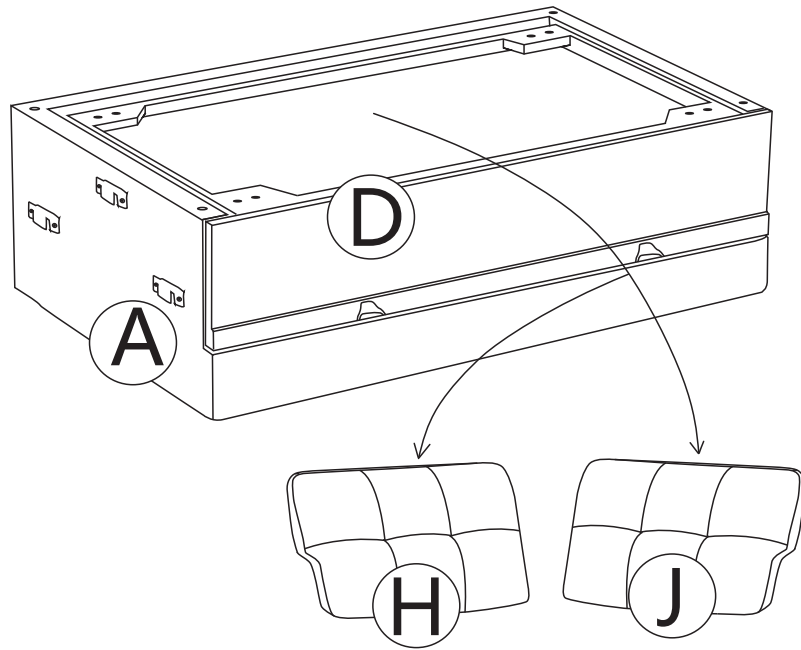


**6** M8X60 X6

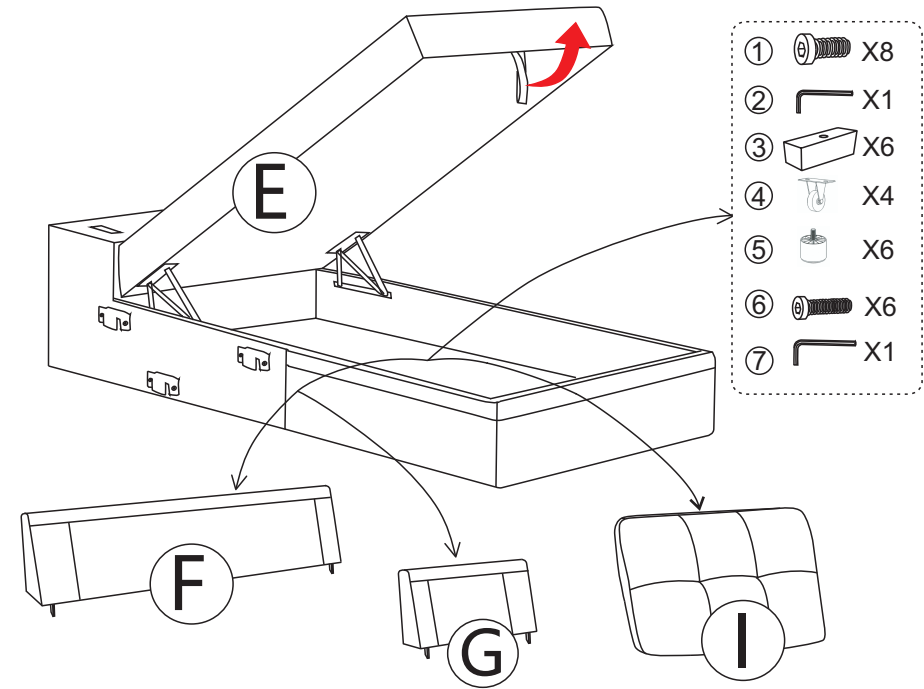


**7** M5 X1

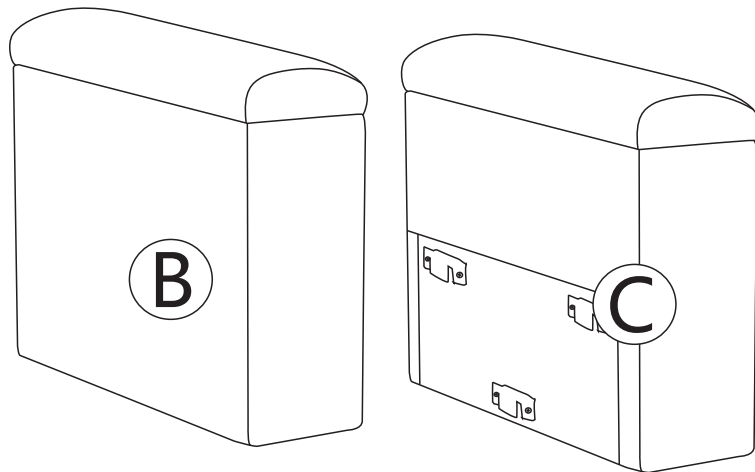
## BOX -1 HARDWARE LIST



## BOX -2 HARDWARE LIST



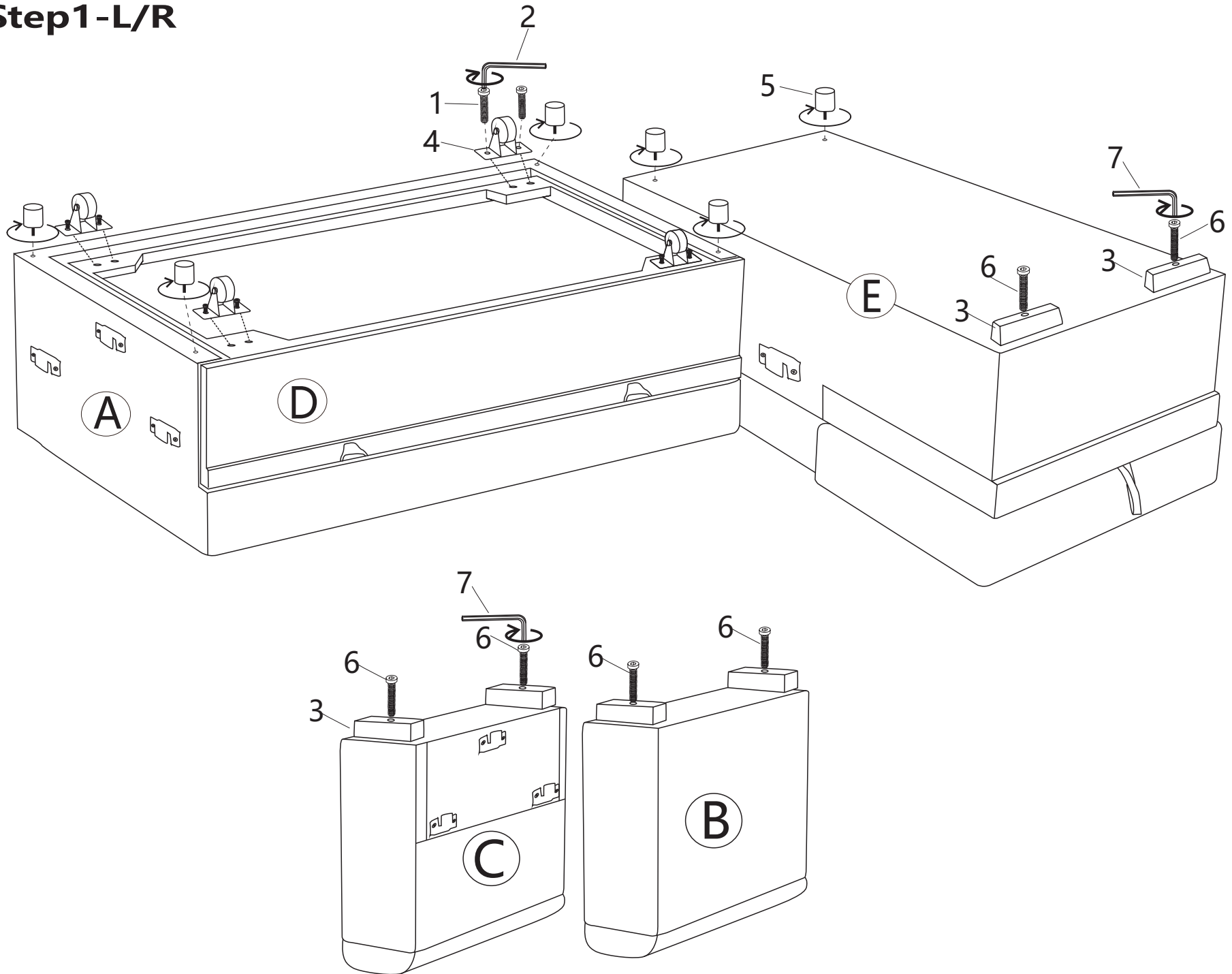
## BOX -3 HARDWARE LIST



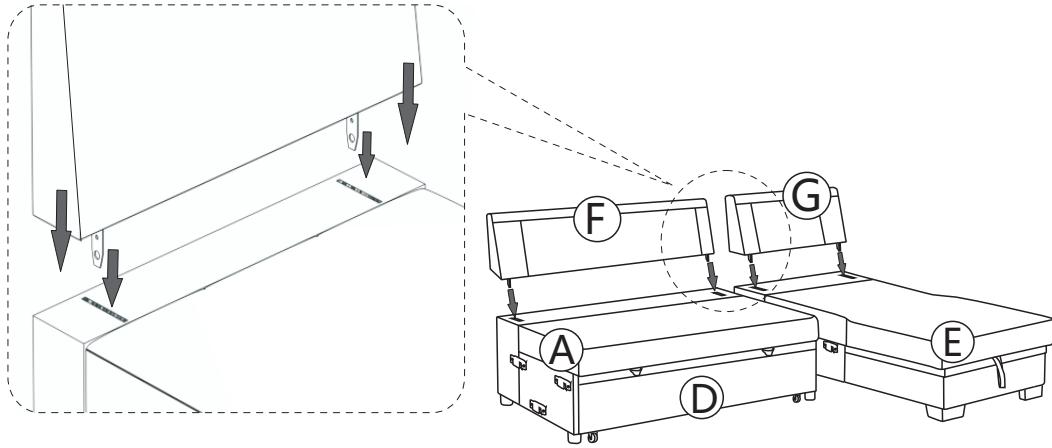
## Unpacking steps:

1. BOX-2
2. BOX-1
3. BOX-3

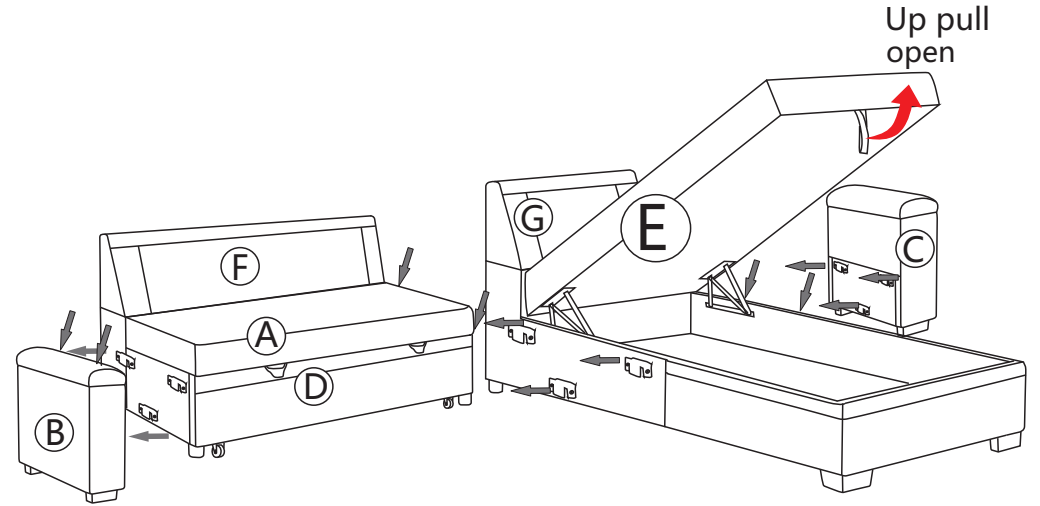
# Step1-L/R



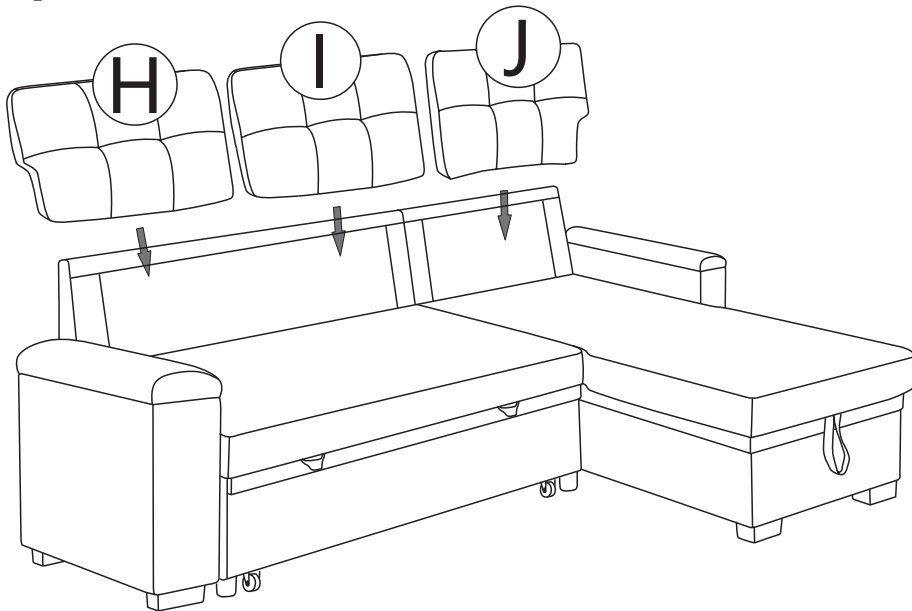
## Step2-L/R



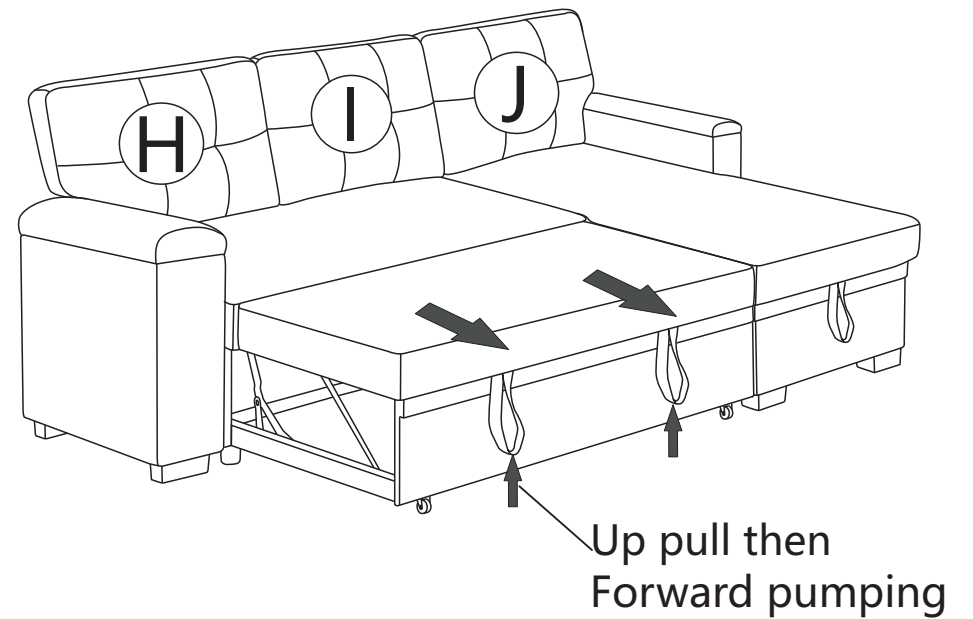
## Step3-R



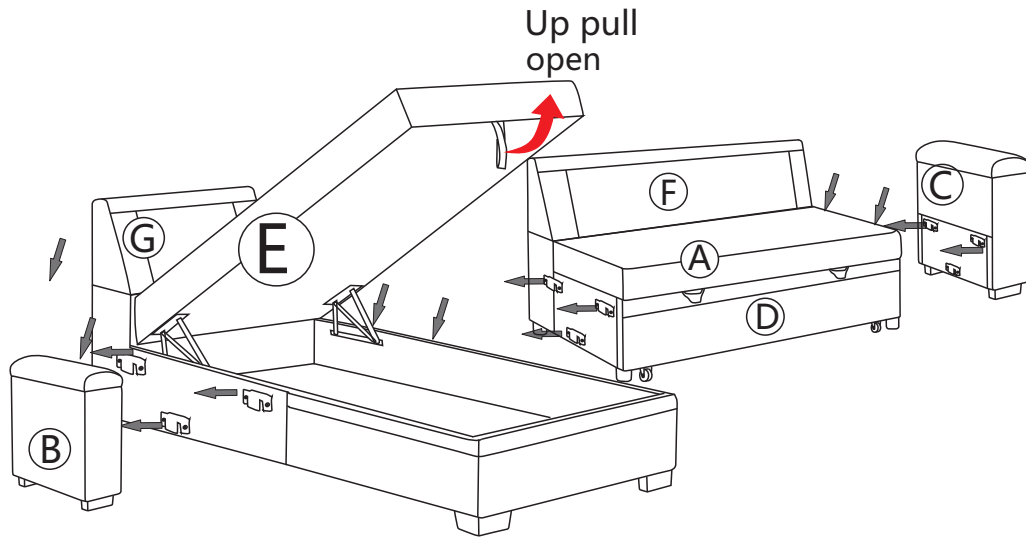
## Step4-R



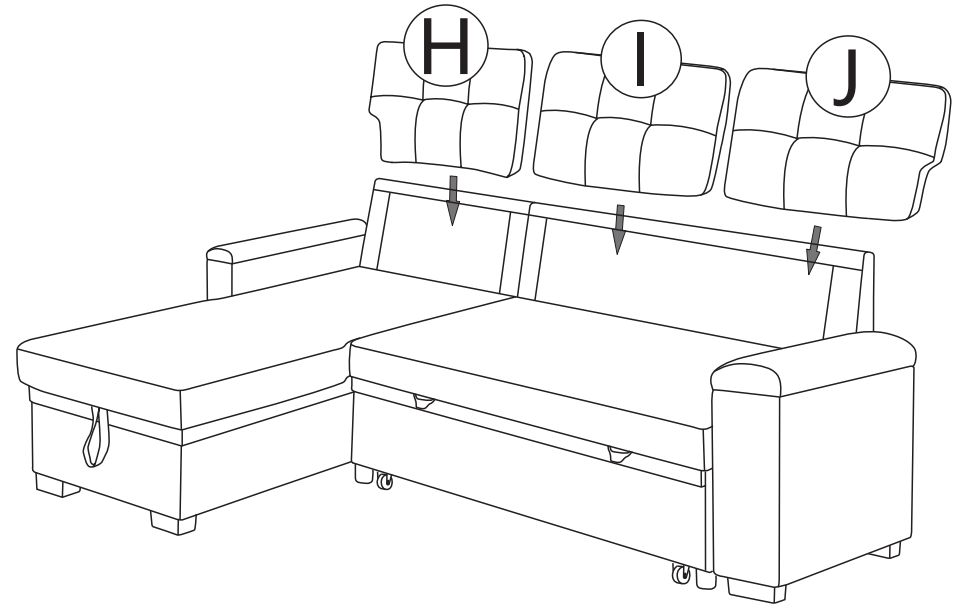
## Step5-R



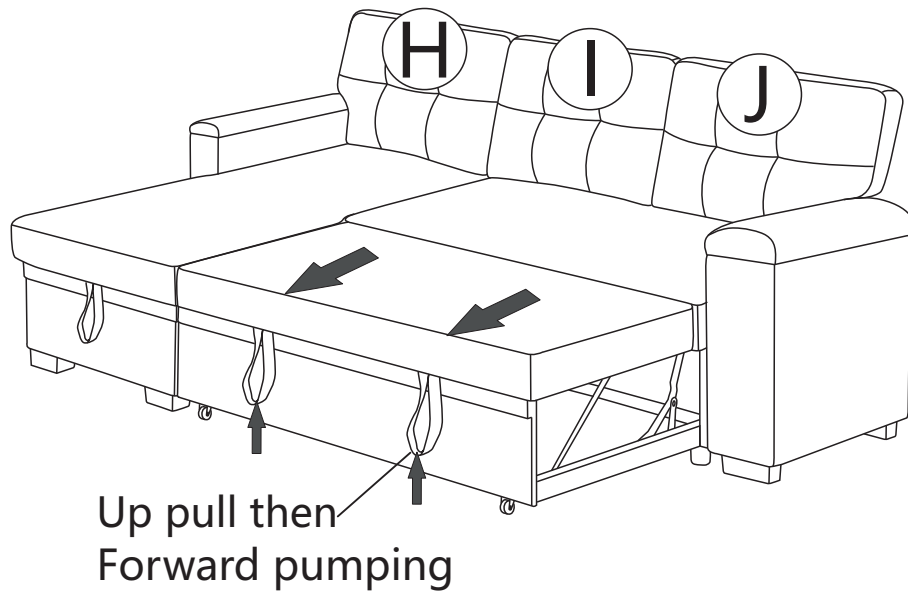
### Step3-L



### Step4-L



### Step5-L



### Step6-L

