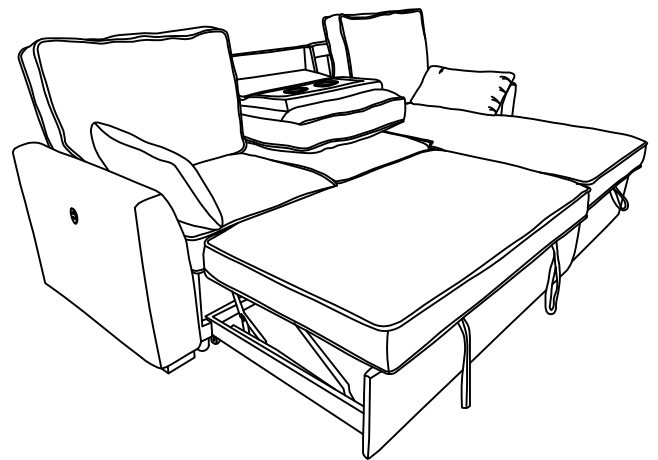
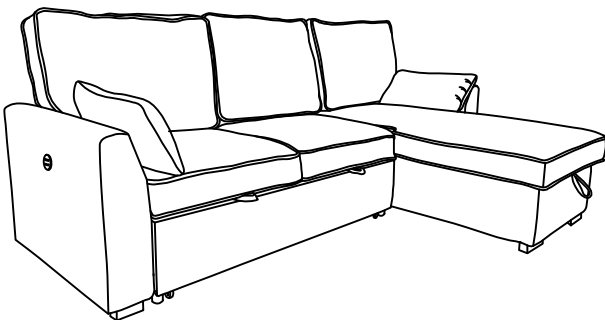
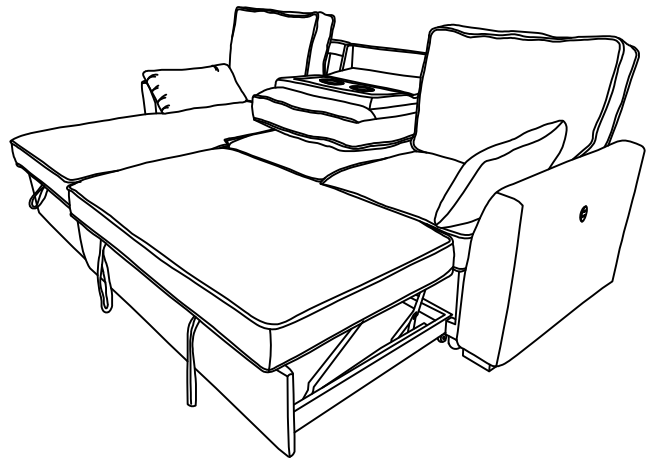
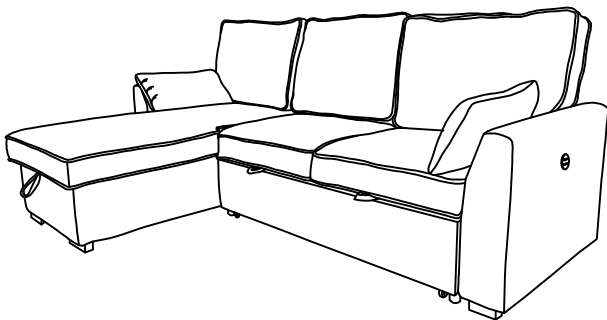


# ASSEMBLY INSTRUCTIONS



ITEM NO.87717-87718

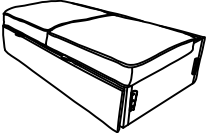

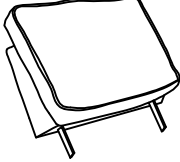

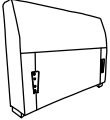



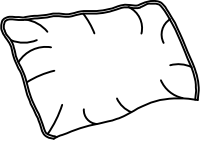
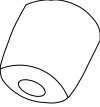
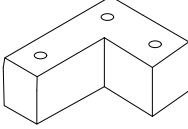
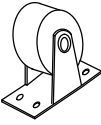
---

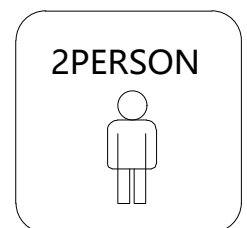
## NOTE:

This brochure contains IMPORTANT safety info. Please read and keep for future reference.

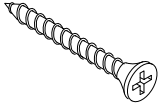
---


# PARTS LIST

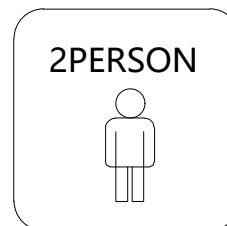
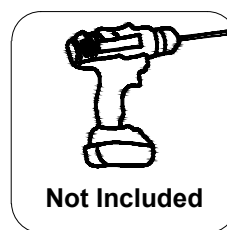
A	x1	B	x1	C	x1	D	x2
							
Pop-up Sleeper Seat		Chaise seat		Back Rest Sleeper		Back Rest Chaise	
E1	x1	E2	x1	F1	x1	F2	x1
							
Armrest-L		Armrest-R		Back Cushion-L		Back Cushion-R	
G	x2	H	x6	I	x2	K	x4
							
Pillow		Round Legs		L-Legs		Rotating Wheel	



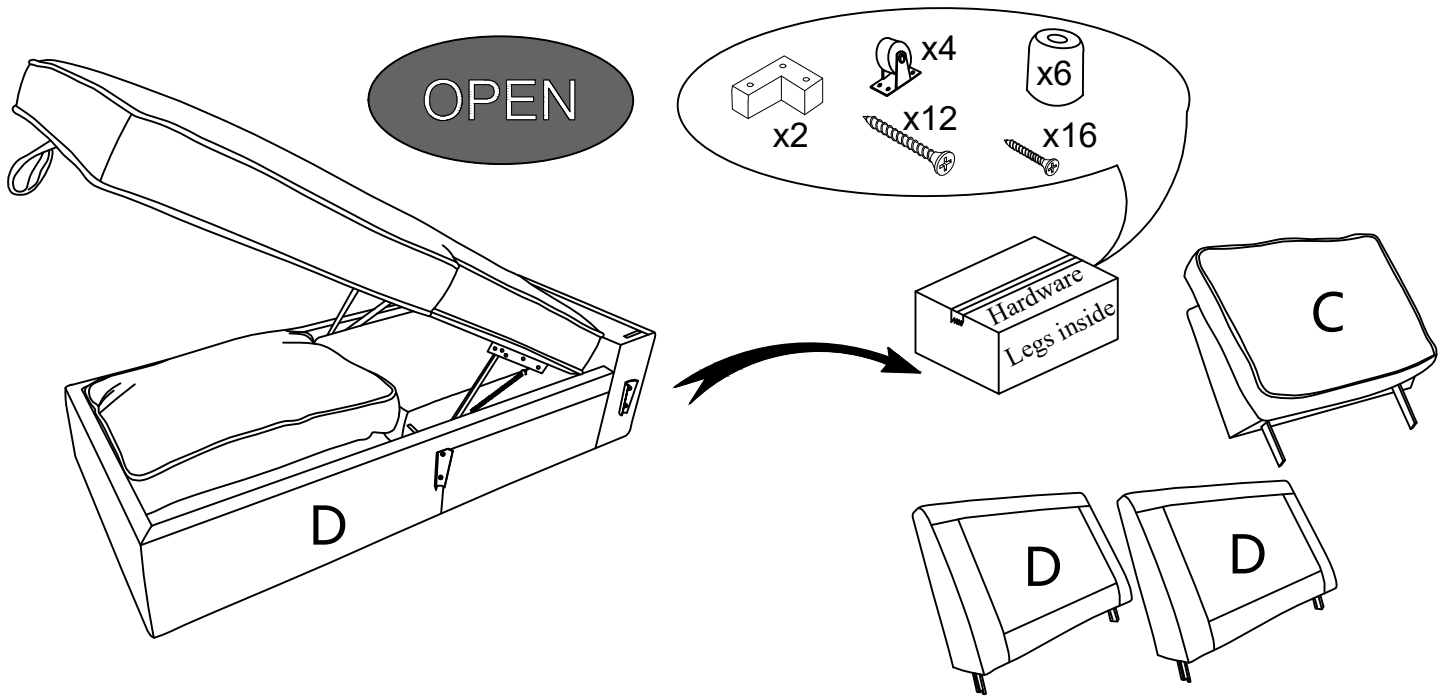
# HARDWARE LIST

#1	x12
	
Screw #4*45mm	

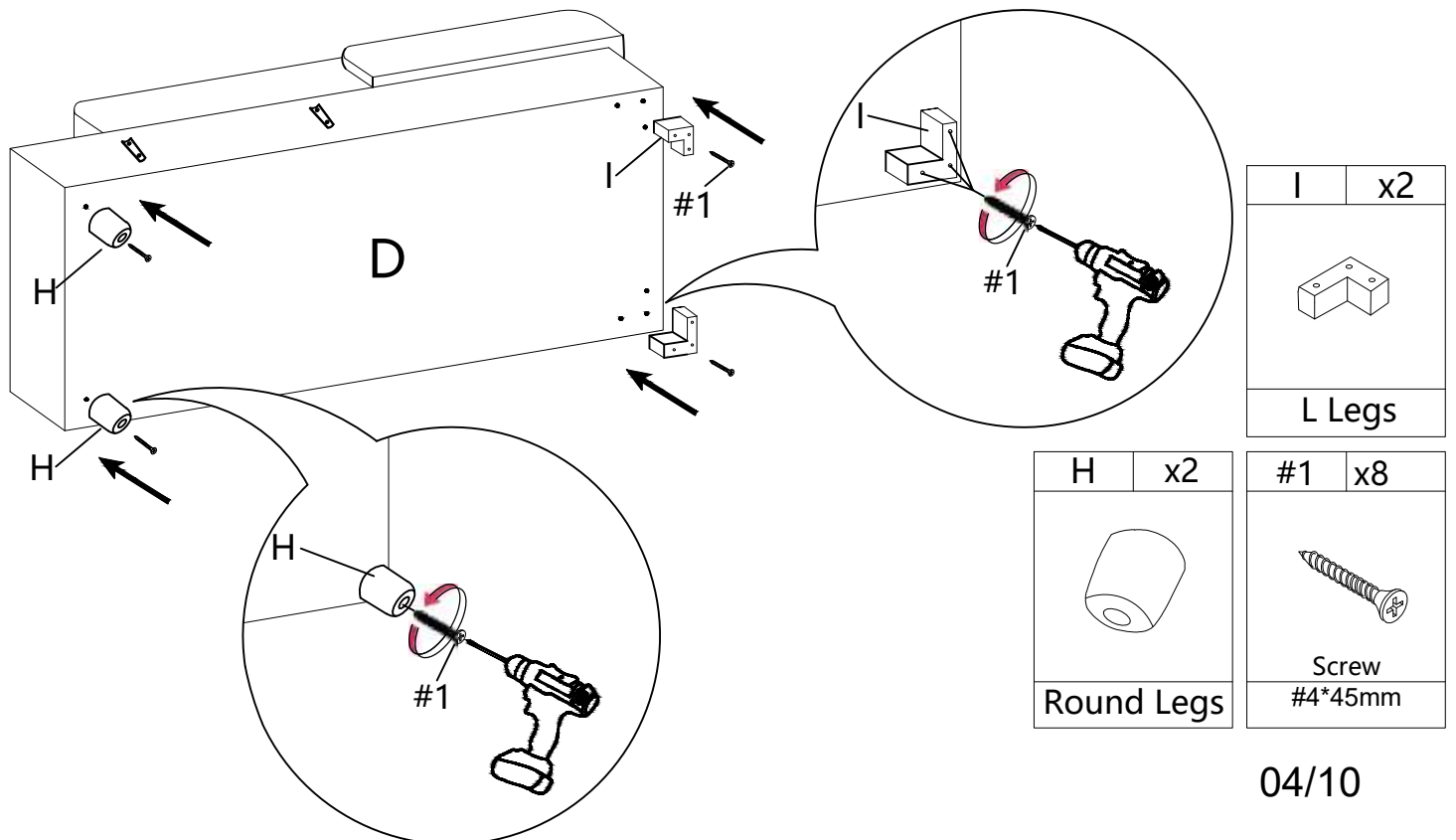
#2	x16
	
Screw #3.5*20mm	



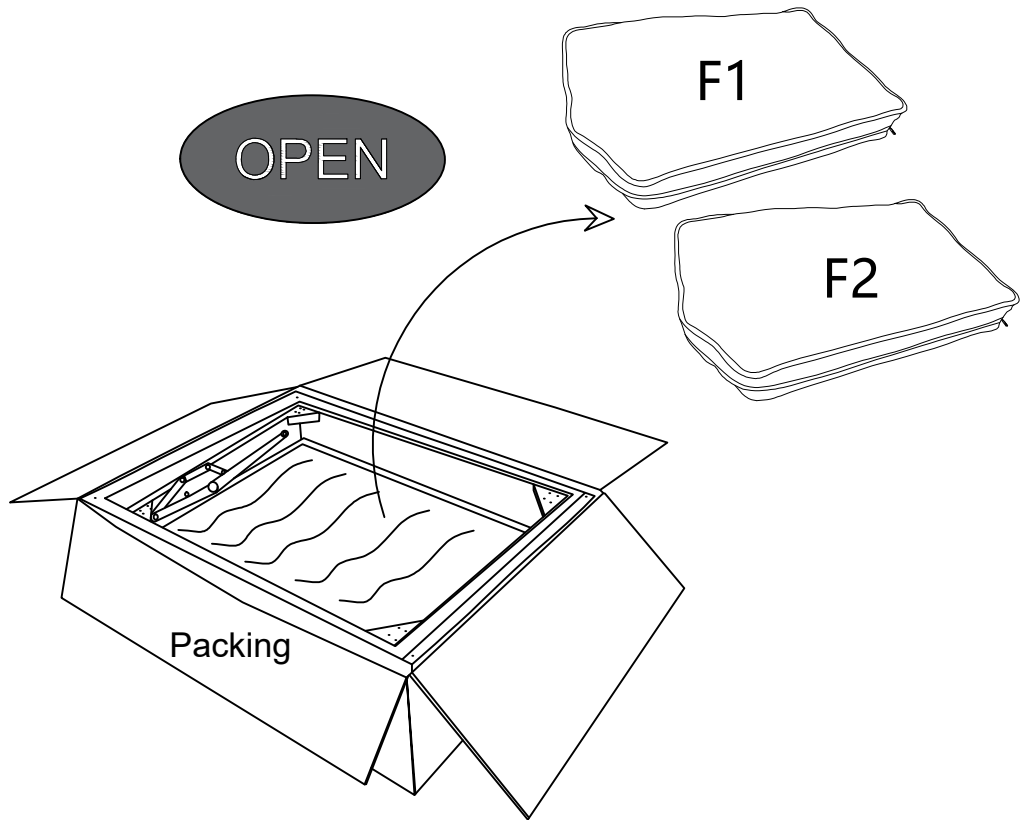
# STEP 1



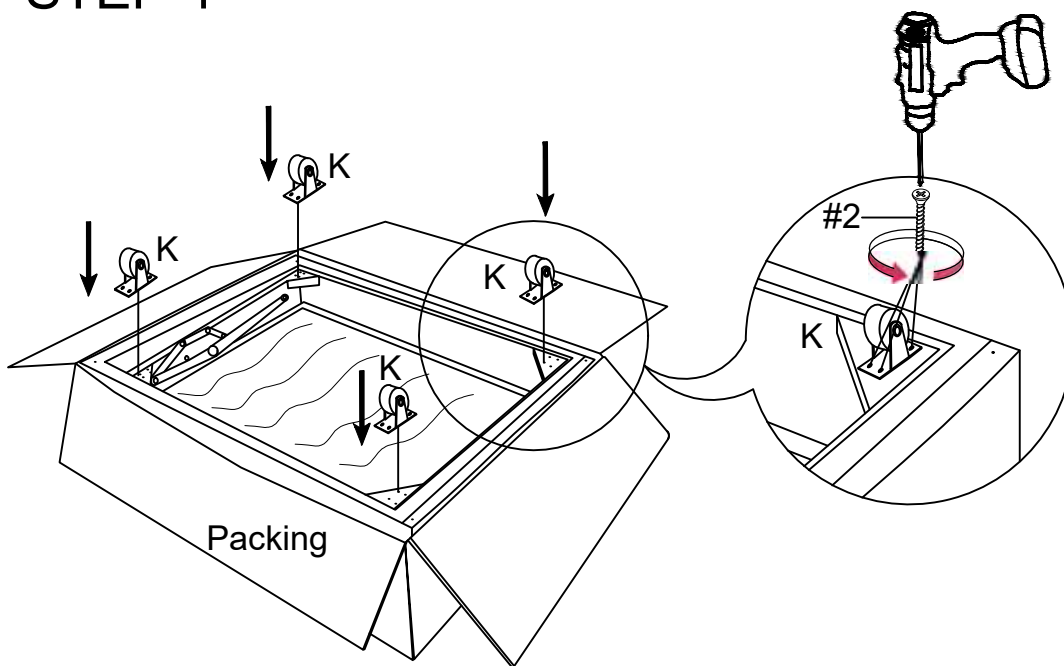
# STEP 2





# STEP 3

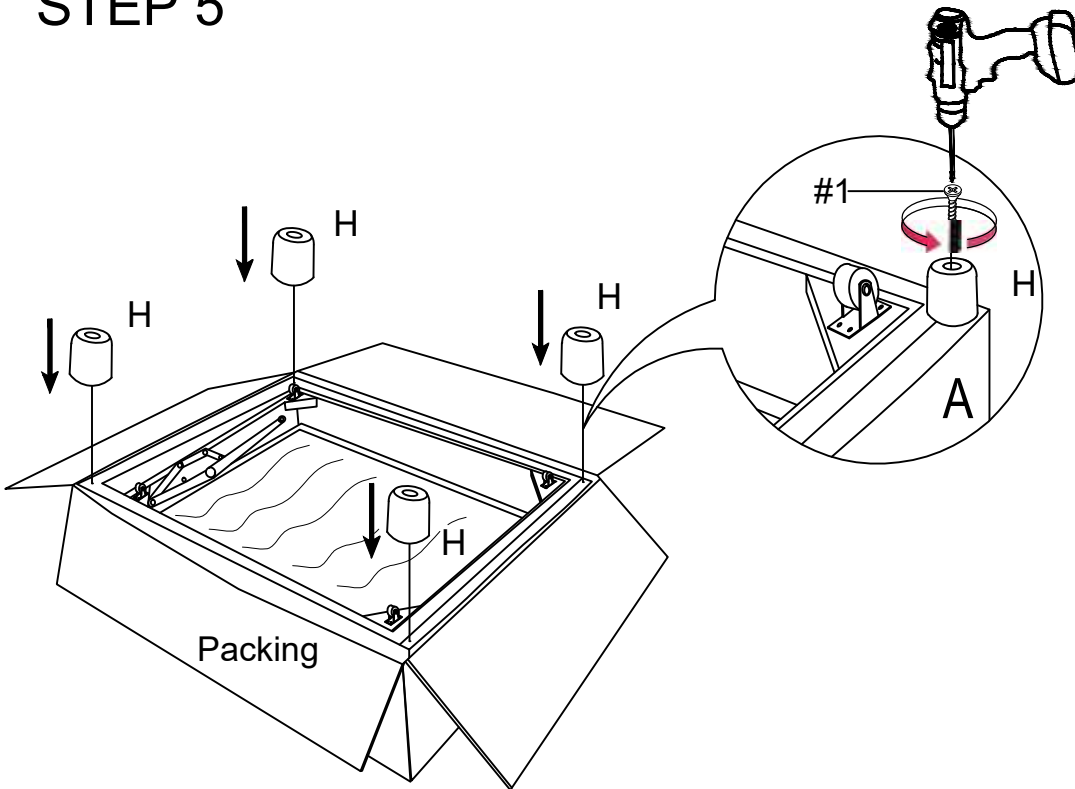


# STEP 4



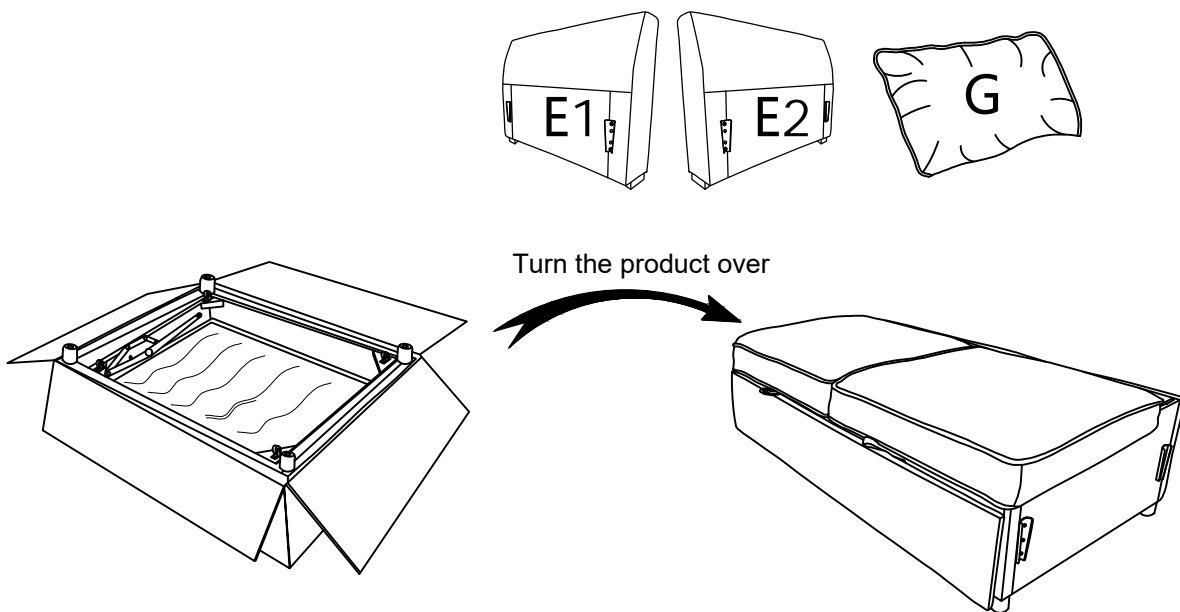
K	x4
	
Rotating Wheel	
#2	x16
	
Screw #3.5*20mm	

# STEP 5

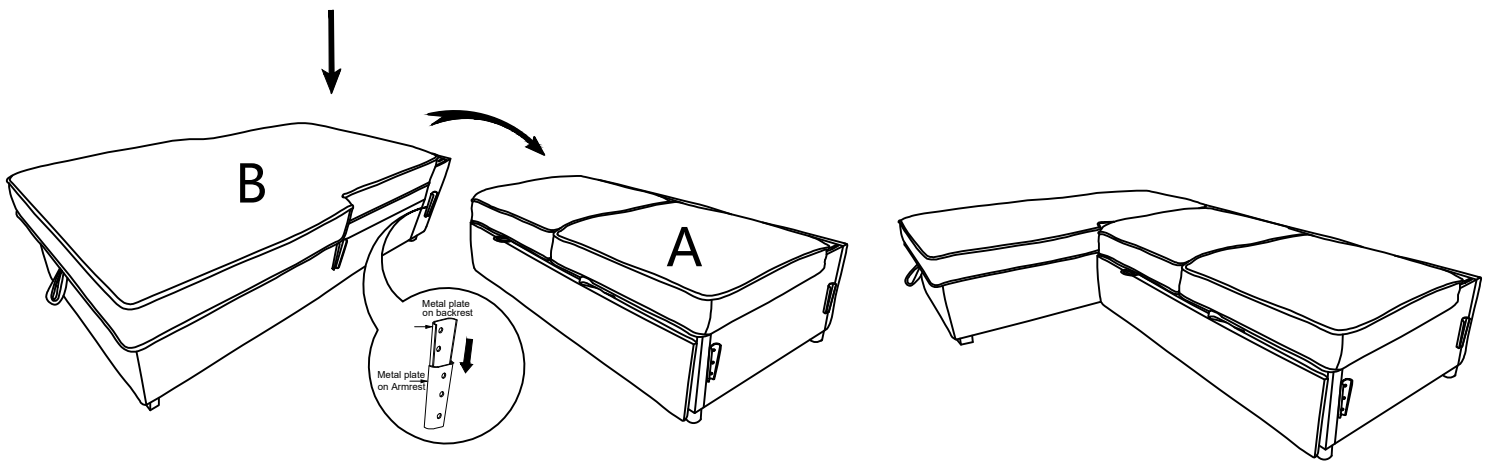


H	x4
Round Legs	
#1	x4
Screw #4*45mm	

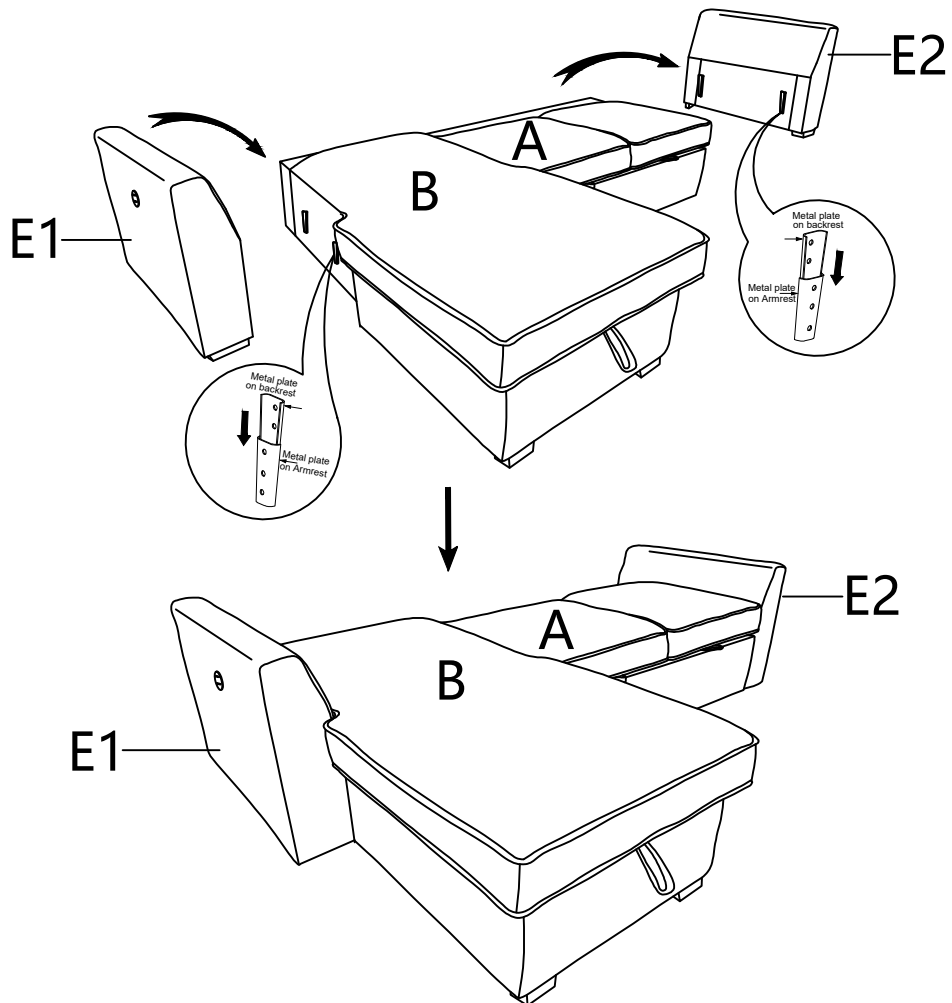
# STEP 6



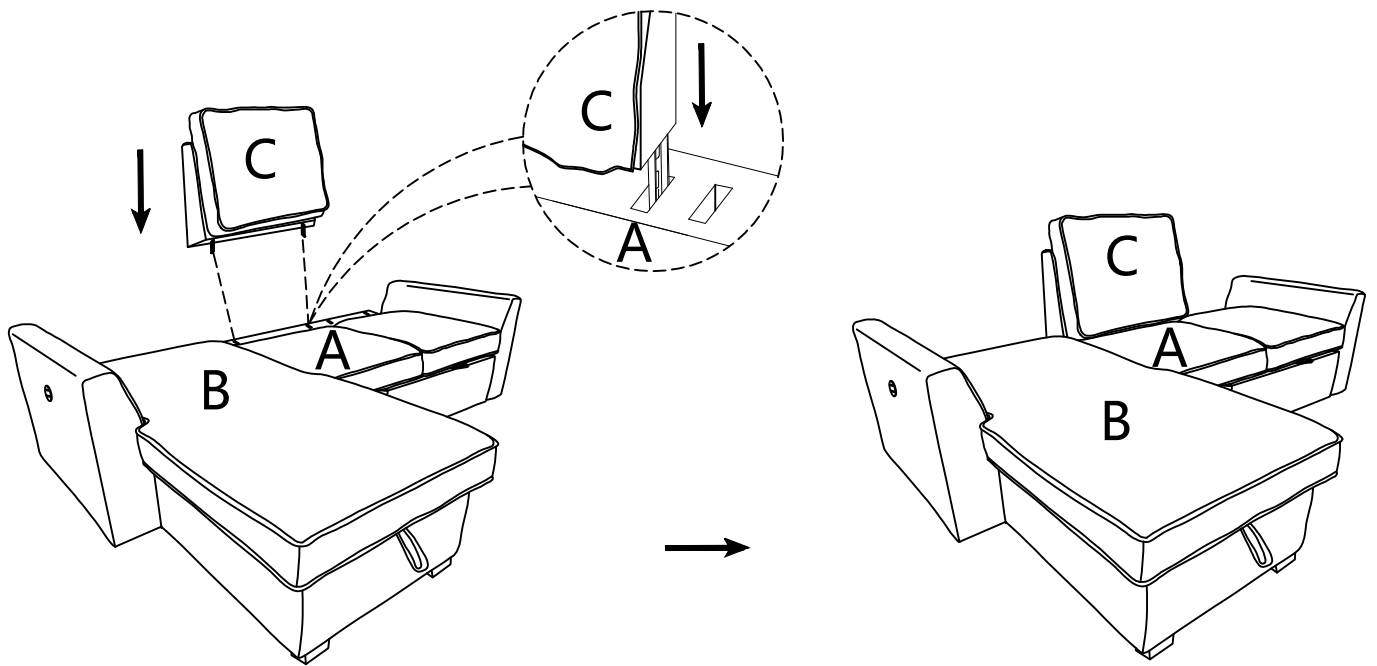
# STEP 7



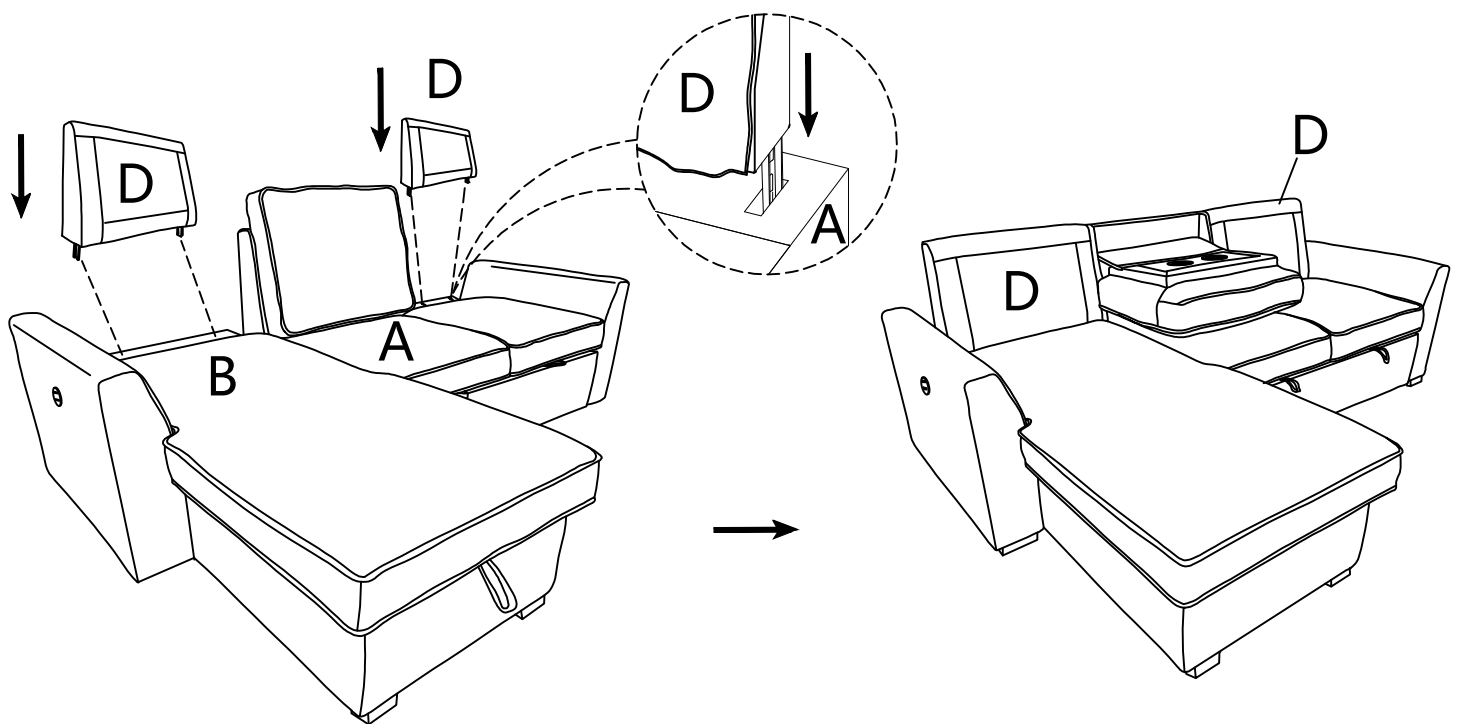
# STEP 8



# STEP 9



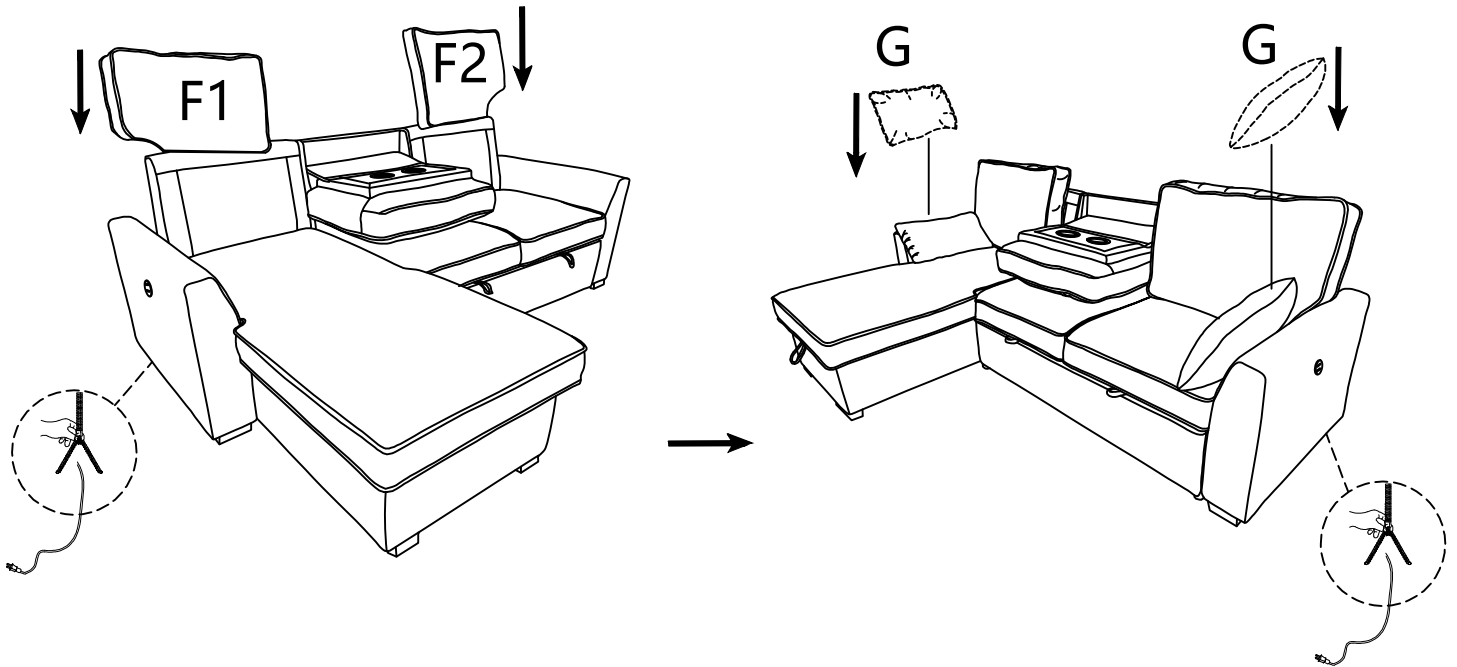
# STEP 10





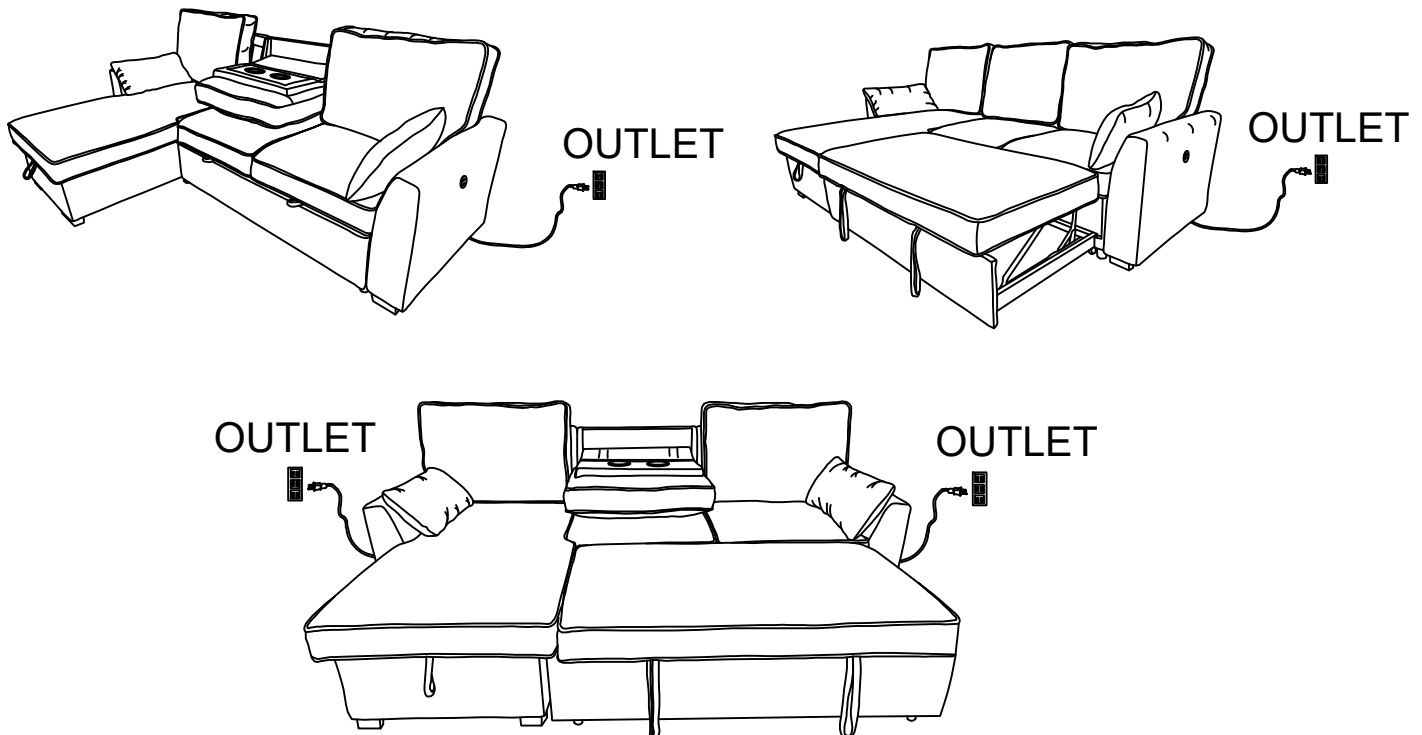
# STEP 11A

## Options-1



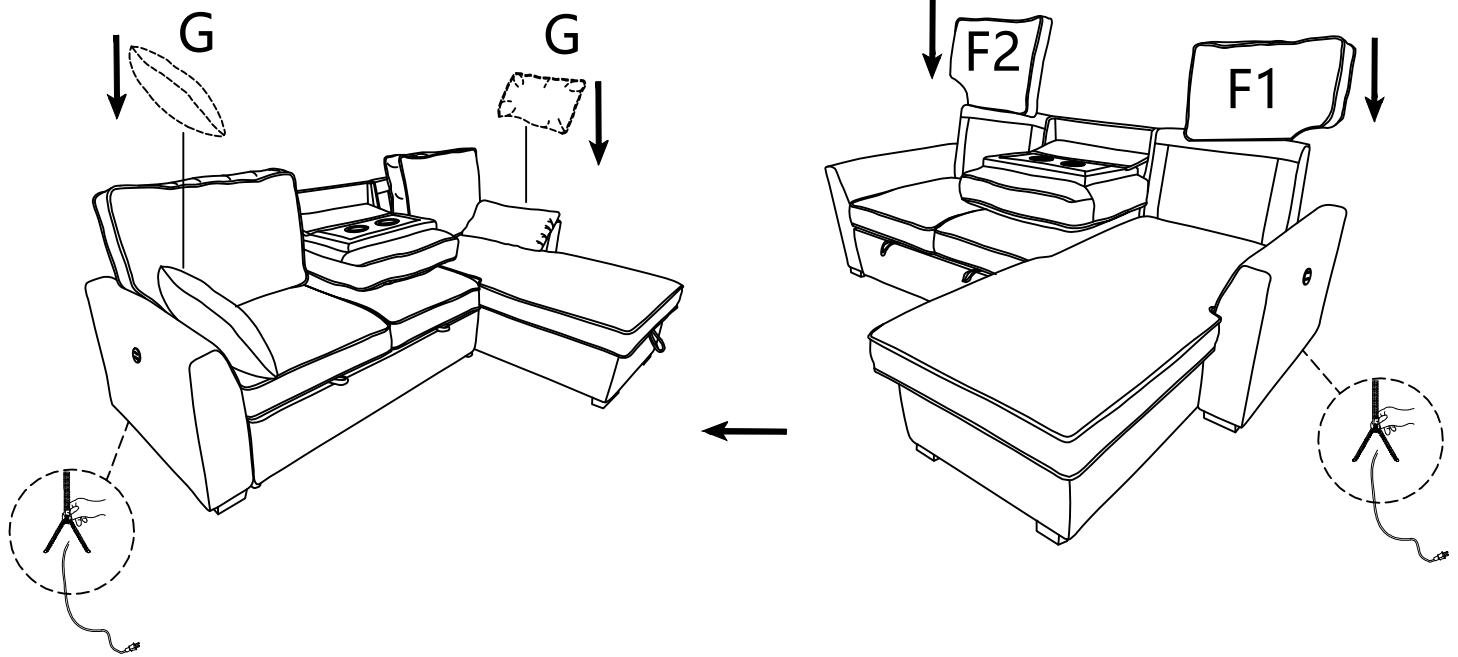
# STEP 12A

## Options-1



# STEP 11B

## Options-2



# STEP 12B

## Options-2

