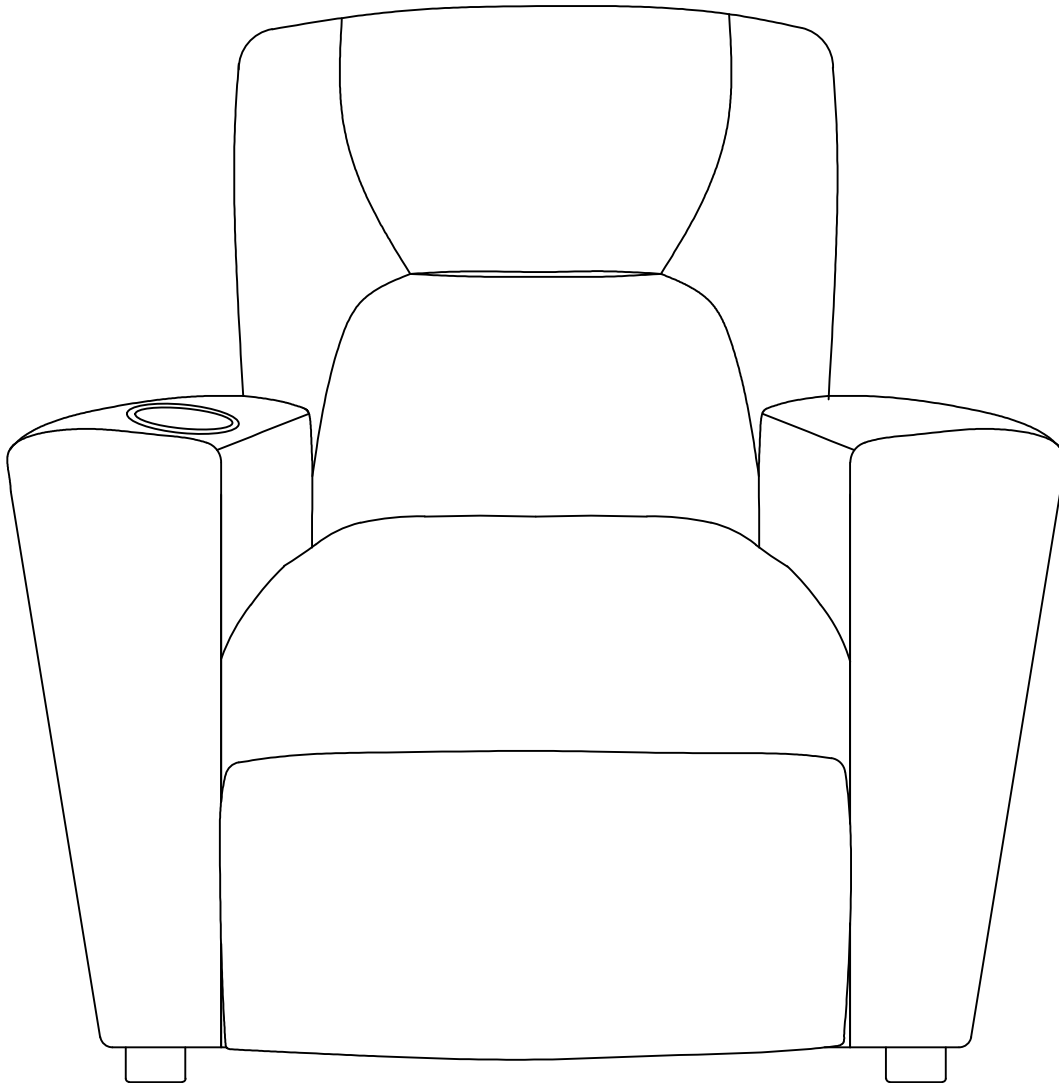


# ASSEMBLY INSTRUCTIONS

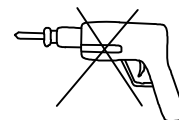
ITEM NO : KID RECLINER 88844/88845/88846

- Caution:** Please read instructions thoroughly before unpacking assembly parts. Sharp, exposed staple tips can cause injury, therefore, for your protection, please remove any exposed staple used in packing.
1. We recommend that you should assemble this product with the assistance of another person; this will make assembly easier, and will help to eliminate damage to the product or injury to persons during assembly.
  2. Be sure to check all packing materials carefully for small parts that may have come loose inside the carton during shipment.
  3. please do not over tighten screws or bolts until the assembly is complete.
  4. Please put all parts on a non-abrasive floor before assembly, and follow the assembly steps to assemble your newly purchased product correctly and efficiently.



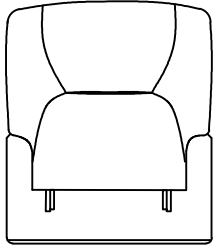
#### IMPORTANT NOTE

Do not use a power tool to assemble this product as it could damage the thread of the hardware and affect the solidity /durability of the product

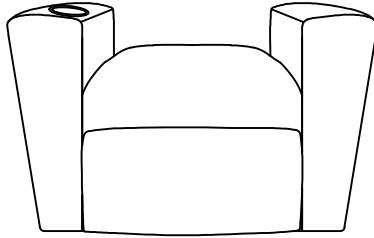


# ASSEMBLY INSTRUCTIONS

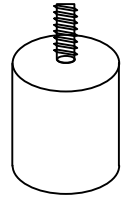
A x1



B x1

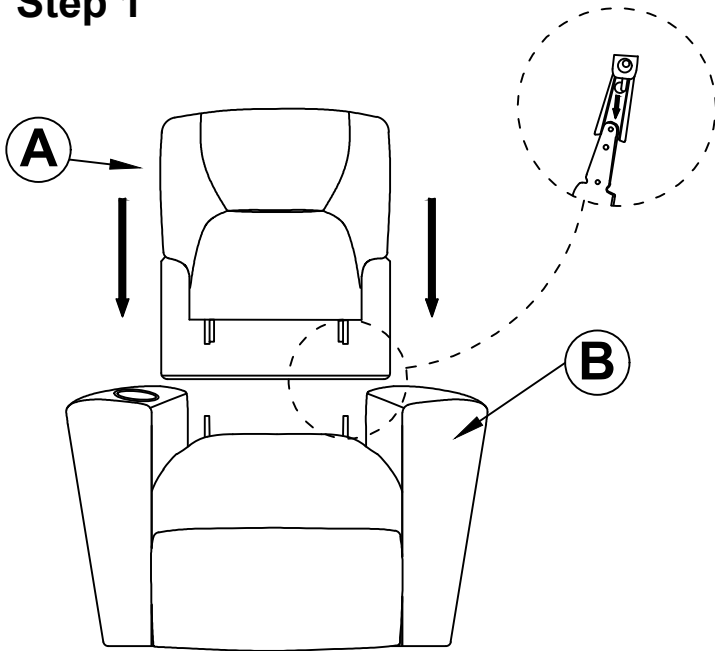


C x4

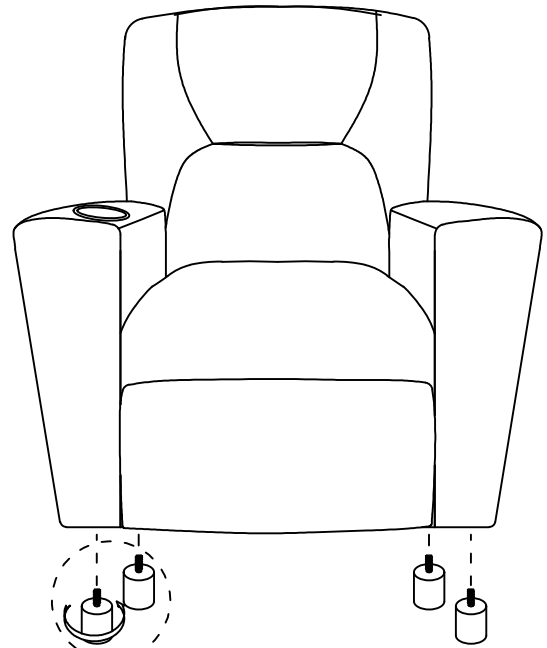


Ø60x38 mm

Step 1



Step 2



COMPLETE

