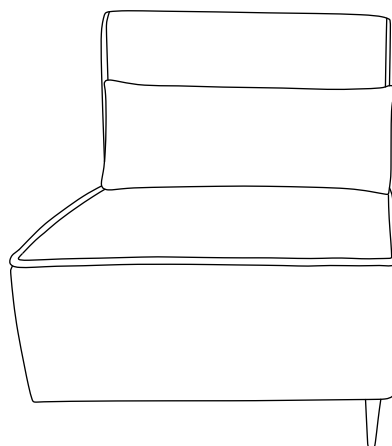


ASSEMBLY INSTRUCTION

ITEM NO.: 89118-S1/ 89119-S1



PARTS IDENTIFICATION

LAF-SOFA WITH 1 PILLOW (Item 89118-S1/ 89119-S1)

A SOFA LEFT SEAT FRAME



1PC

B LEFT BACKREST



1PC

C PILLOW



1PC

D LEG



4PCS

HARDWARE PACK

**1 FLAT WASHER
(2MM-BLK)**



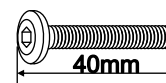
8PCS

**2 LOCK WASHER
(2MM-BLK)**



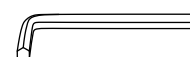
8PCS

**3 BOLT
(40MM-BLK)**



4PCS

**4 HEXAGON
WRENCH
(75MM-BLK)**

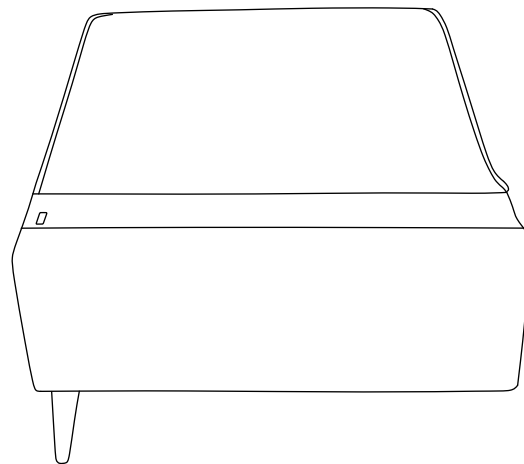
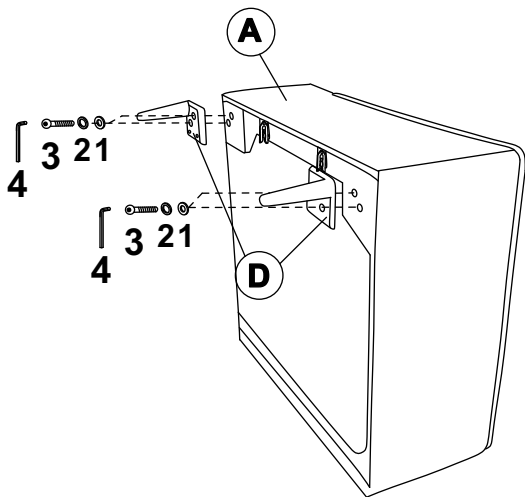


1PC

ASSEMBLY INSTRUCTION

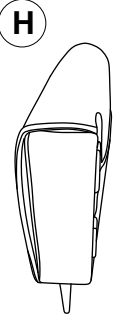
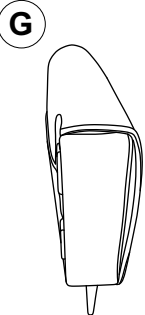
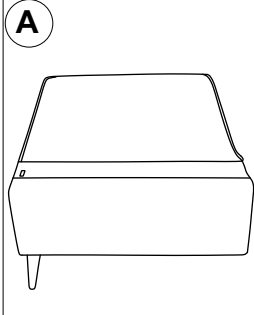
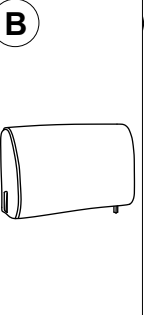
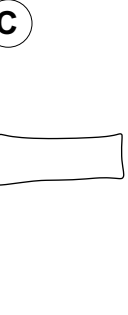
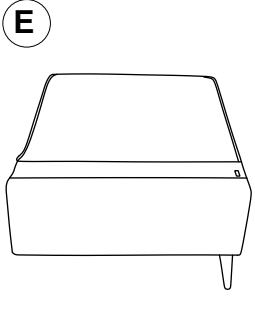
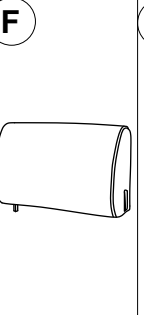
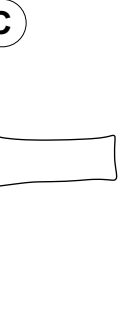
ITEM NO.: 89118-S1/ 89119-S1

Attach the Legs (D) to Left Seat Frame (A).

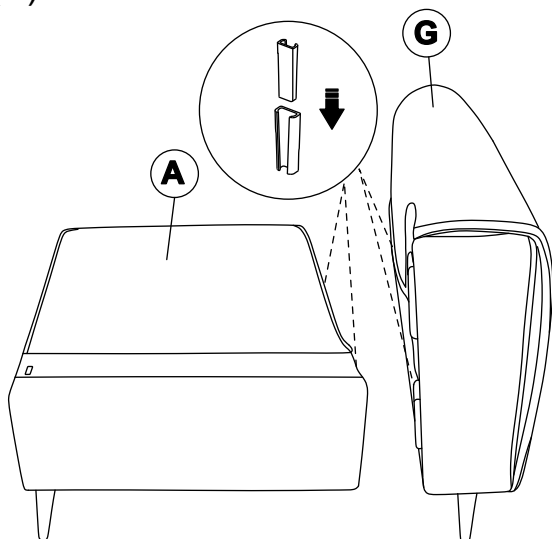


GENERAL ASSEMBLY STEPS

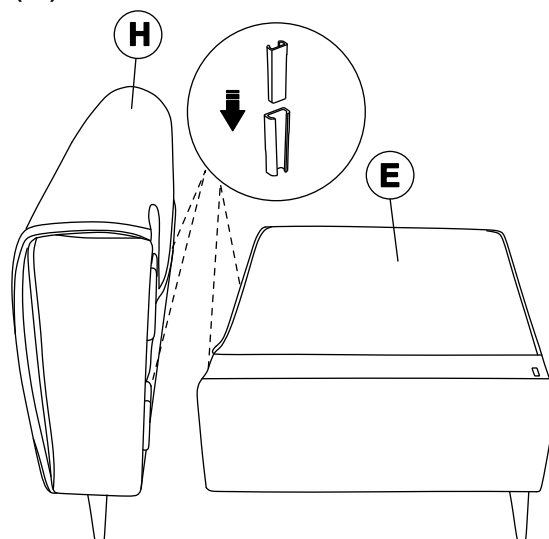
PARTS LIST:

							
89118-S2/ 89119-S2		89118-S1/ 89119-S1			89118-S3/ 89119-S3		

STEP 1: Attach Left Arm (G) to Left Seat Frame (A).



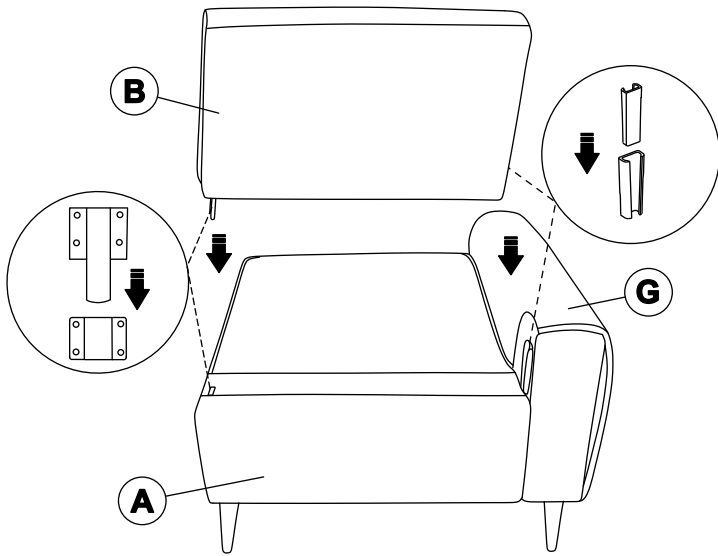
Attach Right Arm (H) to Right Seat Frame (E).



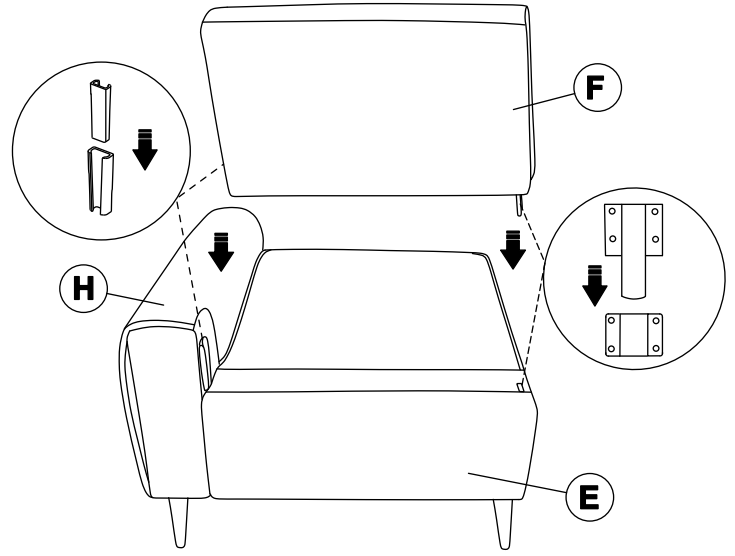
ASSEMBLY INSTRUCTION

ITEM NO.: 89118-S1/ 89119-S1

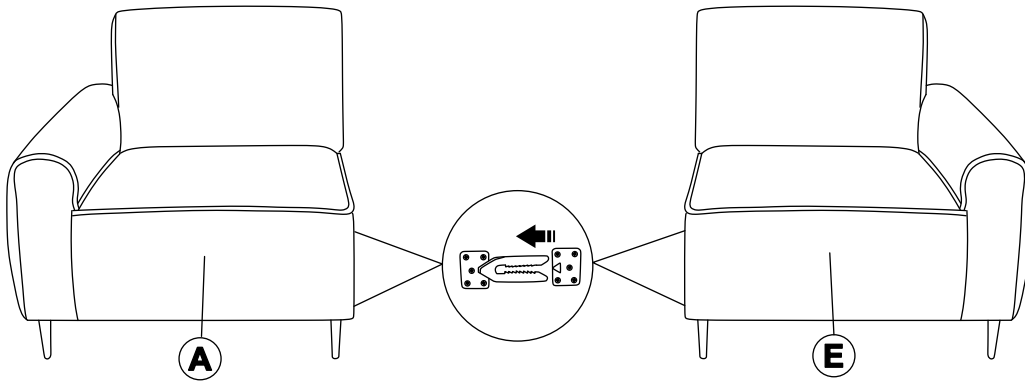
STEP 2: Attach Left Backrest (B) to Left Seat Frame (A) and Left Arm (G).



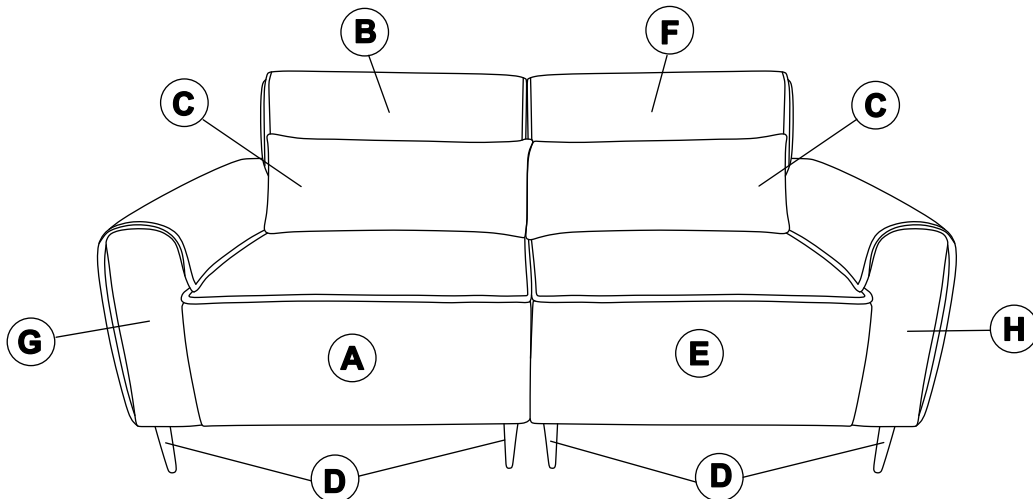
Attach Right Backrest (F) to Right Seat Frame (E) and Right Arm (H).



STEP 3: Attach Left Seat Frame (A) to Right Seat Frame (E).

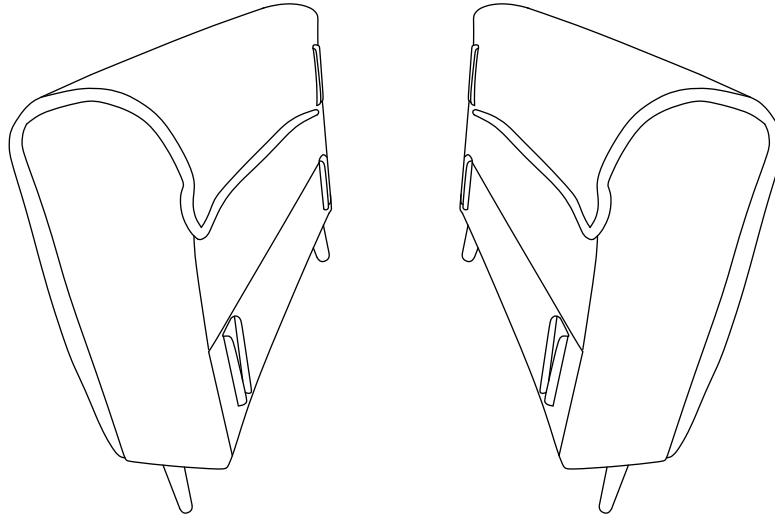


COMPLETE: Put 2 Pillows (C) on the Left (A) and Right Seat Frame (E).



ASSEMBLY INSTRUCTION

ITEM NO.: 89118-S2/ 89119-S2



PARTS IDENTIFICATION

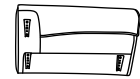
SOFA ARM IN PAIRS (Item 89118-S2/ 89119-S2)

G SOFA LEFT ARM



1PC

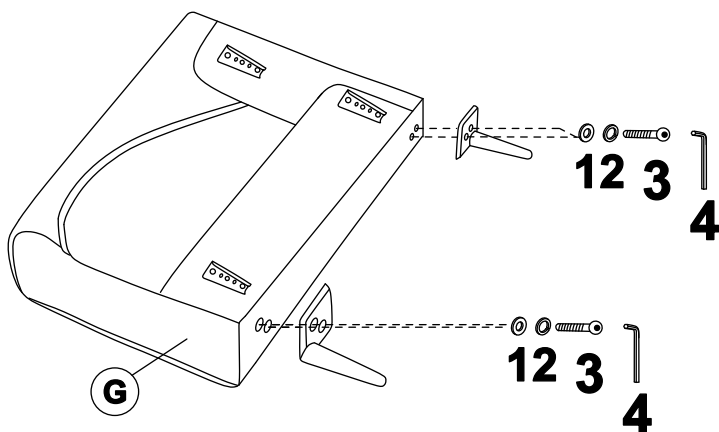
H SOFA RIGHT ARM



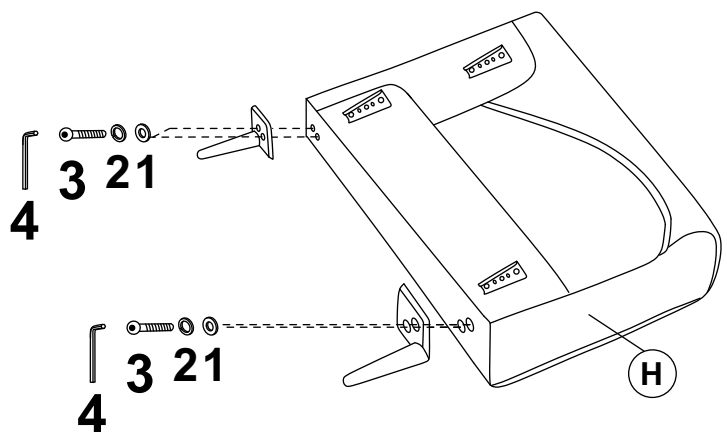
1PC

NOTE: You can take legs, washers, bolts and hexagon wrench when unboxing RAF and LAF sofa box.

STEP 1: Attach the Legs (D) to Left Arm (G).

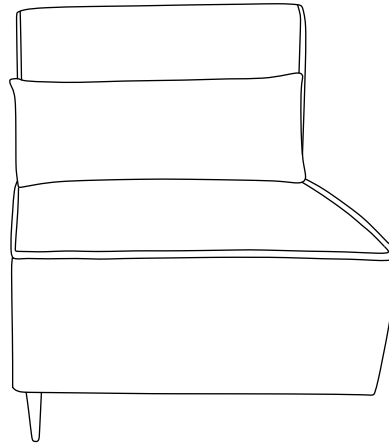


STEP 2: Attach the Legs (D) to Right Arm (H).



ASSEMBLY INSTRUCTION

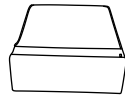
ITEM NO: 89118-S3/ 89119-S3



PARTS IDENTIFICATION

RAF-SOFA WITH 1 PILLOW (Item 89118-S3/ 89119-S3)

E SOFA RIGHT SEAT FRAME



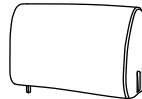
1PC

C PILLOW



1PC

F RIGHT BACKREST



1PC

D LEG



4PCS

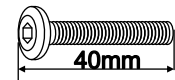
HARDWARE PACK

1 FLAT WASHER (2MM-BLK)



8PCS

3 BOLT (40MM-BLK)



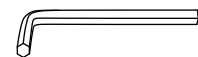
4PCS

2 LOCK WASHER (2MM-BLK)



8PCS

4 HEXAGON WRENCH (75MM-BLK)

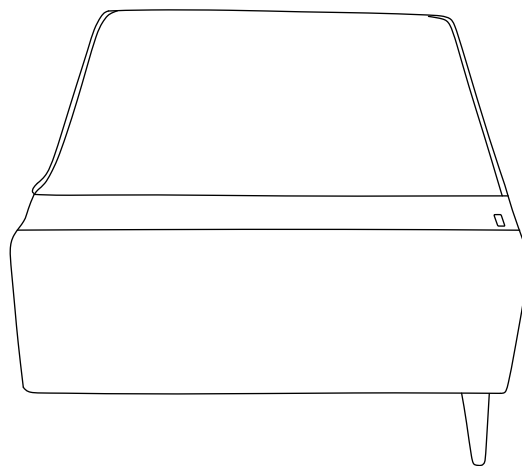
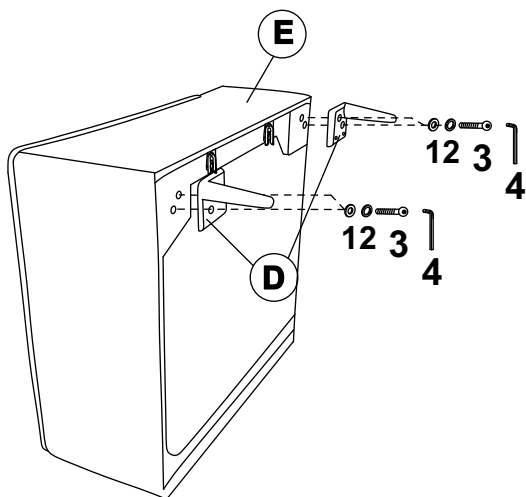


1PC

ASSEMBLY INSTRUCTION

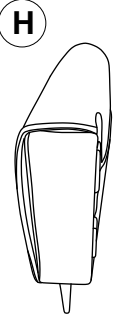
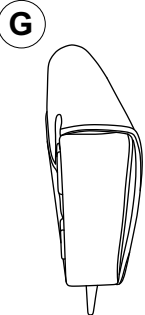
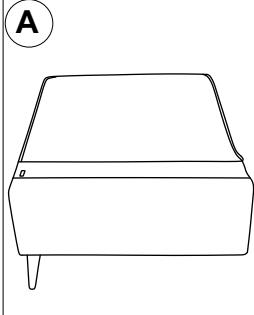
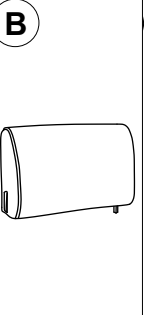
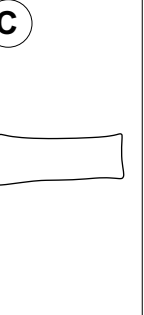
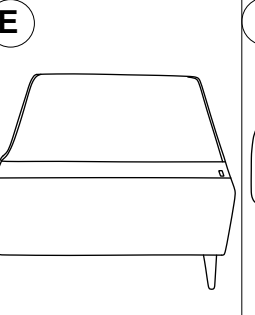
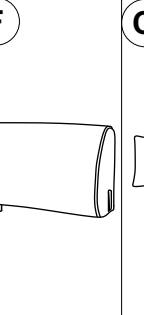
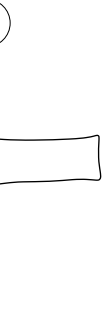
ITEM NO.: 89118-S3/ 89119-S3

Attach the Legs (D) to Right Seat Frame (E).

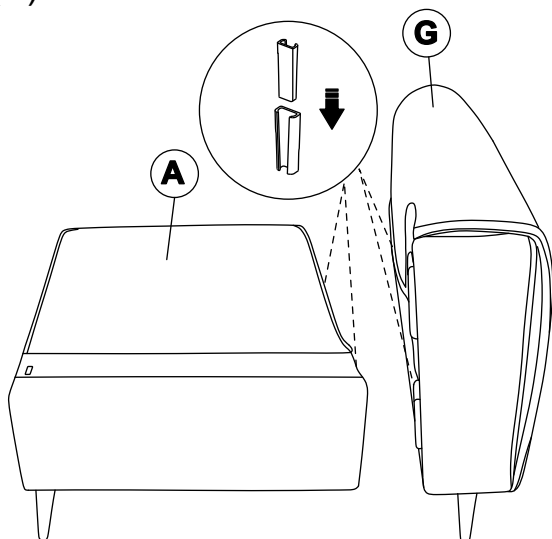


GENERAL ASSEMBLY STEPS

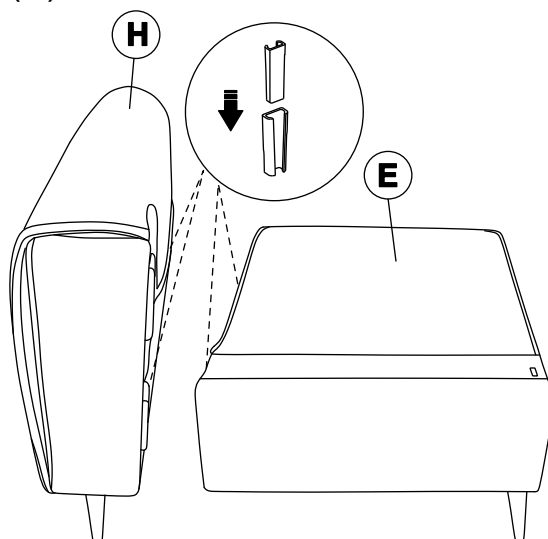
PARTS LIST:

							
89118-S2/ 89119-S2		89118-S1/ 89119-S1		89118-S3/ 89119-S3			

STEP 1: Attach Left Arm (G) to Left Seat Frame (A).



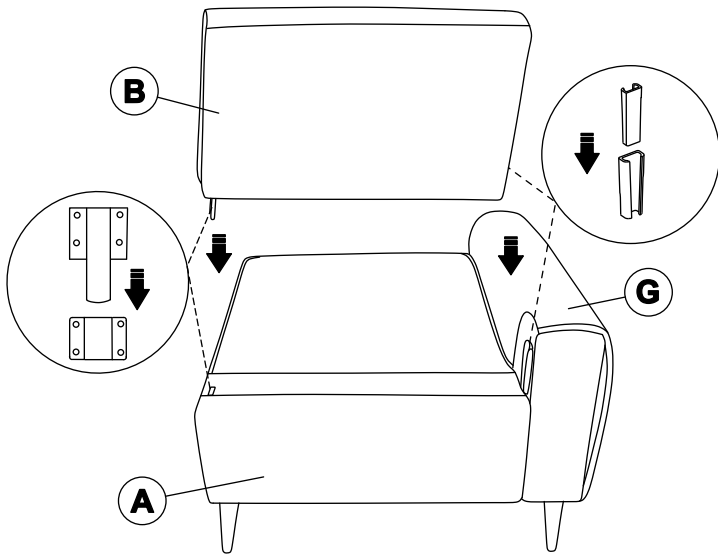
Attach Right Arm (H) to Right Seat Frame (E).



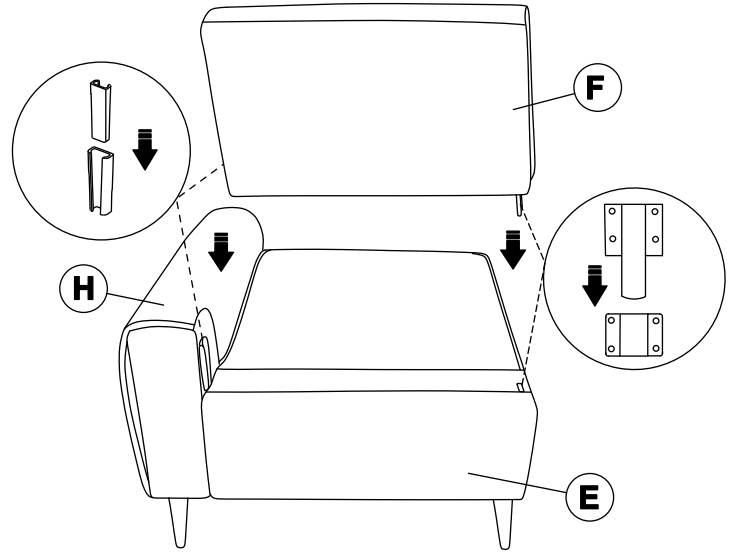
ASSEMBLY INSTRUCTION

ITEM NO.: 89118-S3/ 89119-S3

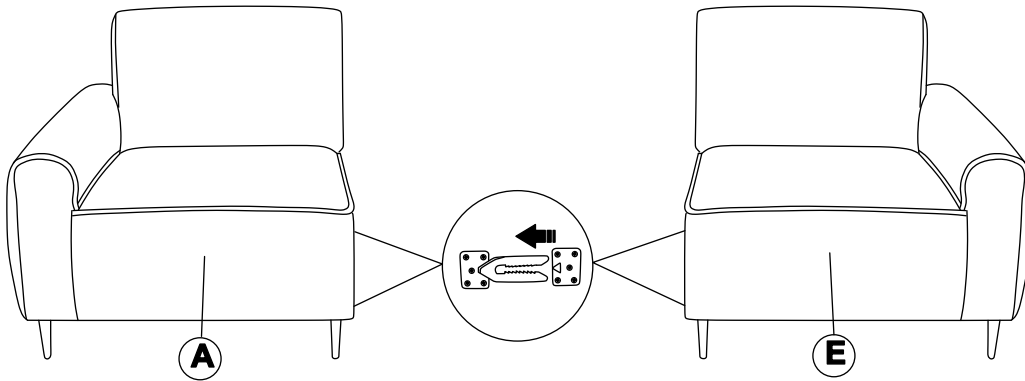
STEP 2: Attach Left Backrest (B) to Left Seat Frame (A) and Left Arm (G).



Attach Right Backrest (F) to Right Seat Frame (E) and Right Arm (H).



STEP 3: Attach Left Seat Frame (A) to Right Seat Frame (E).



COMPLETE: Put 2 Pillows (C) on the Left (A) and Right Seat Frame (E).

