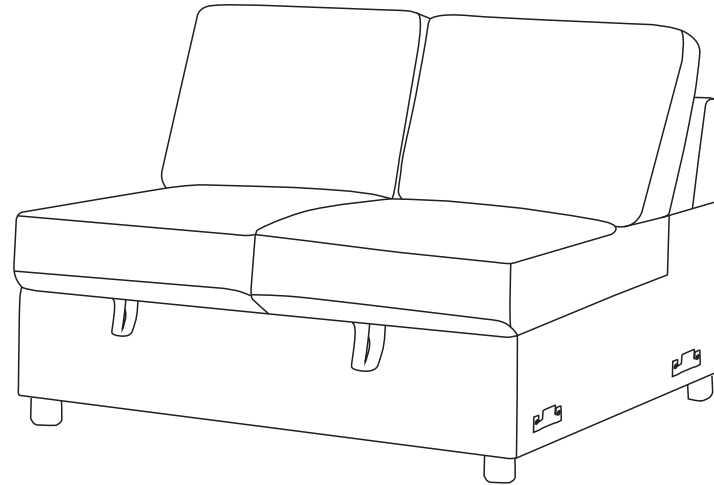
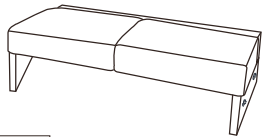


ASSEMBLY INSTRUCTION

ITEM NO.:

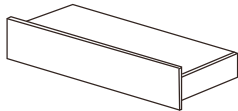


PARTS LIST



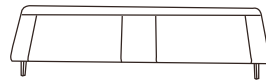
A

x1



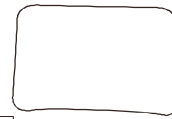
B

x1



C

x1



D

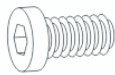
x2

HARDWARE LIST



1

x4



2

M6X25

x8



3

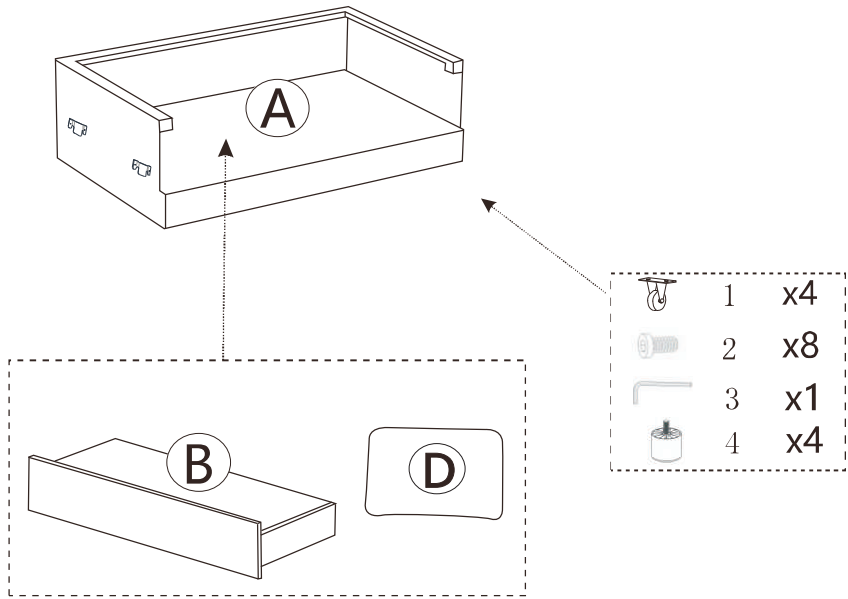
M4

x1

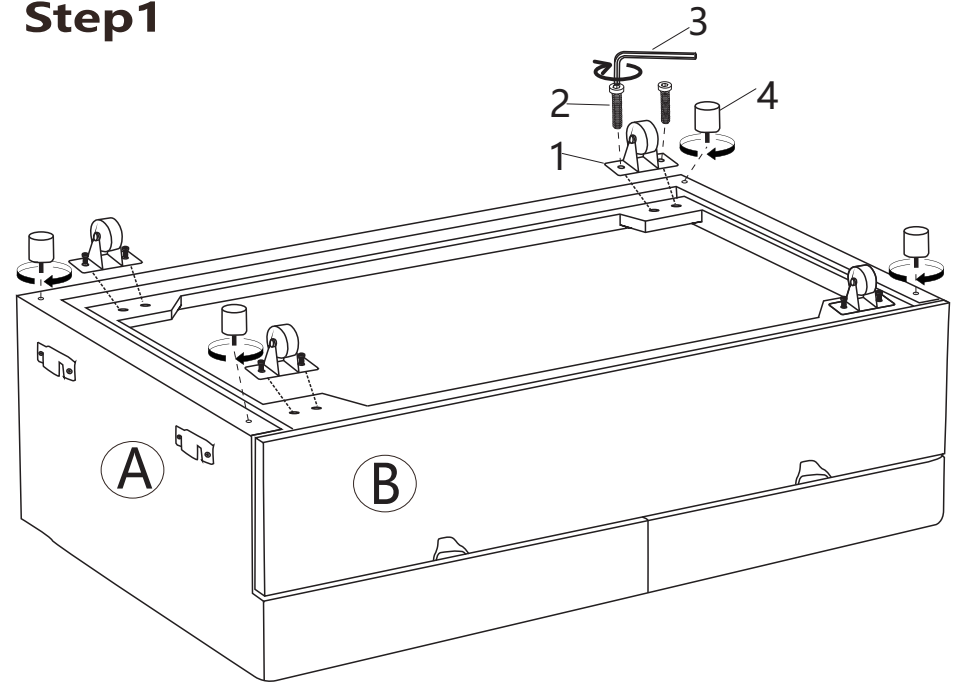


4

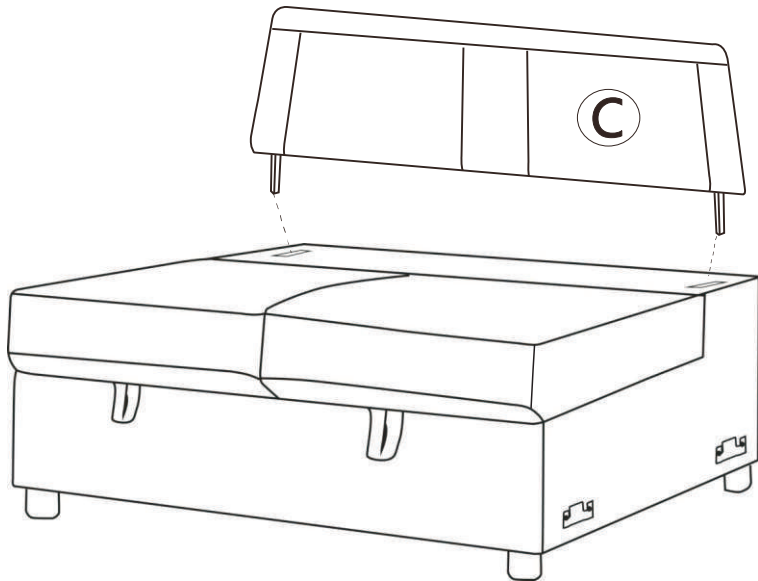
x4



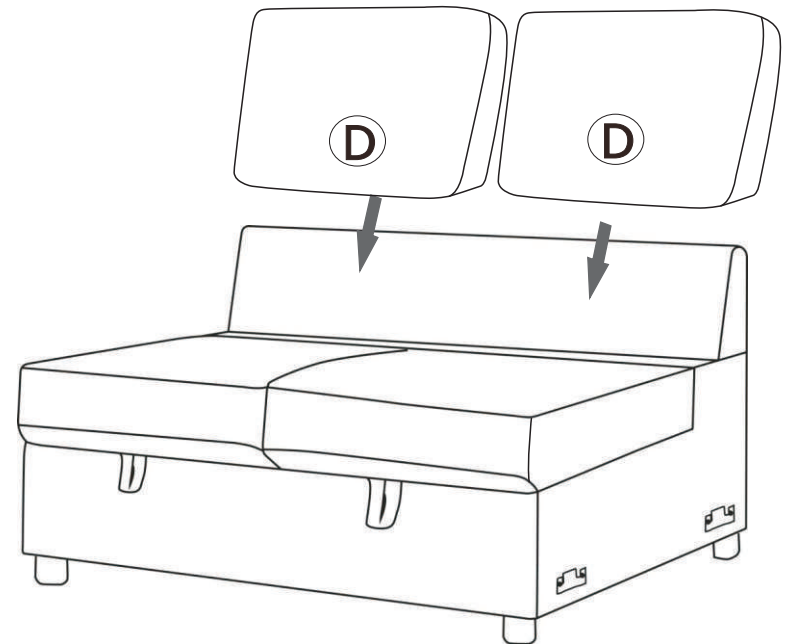
Step1



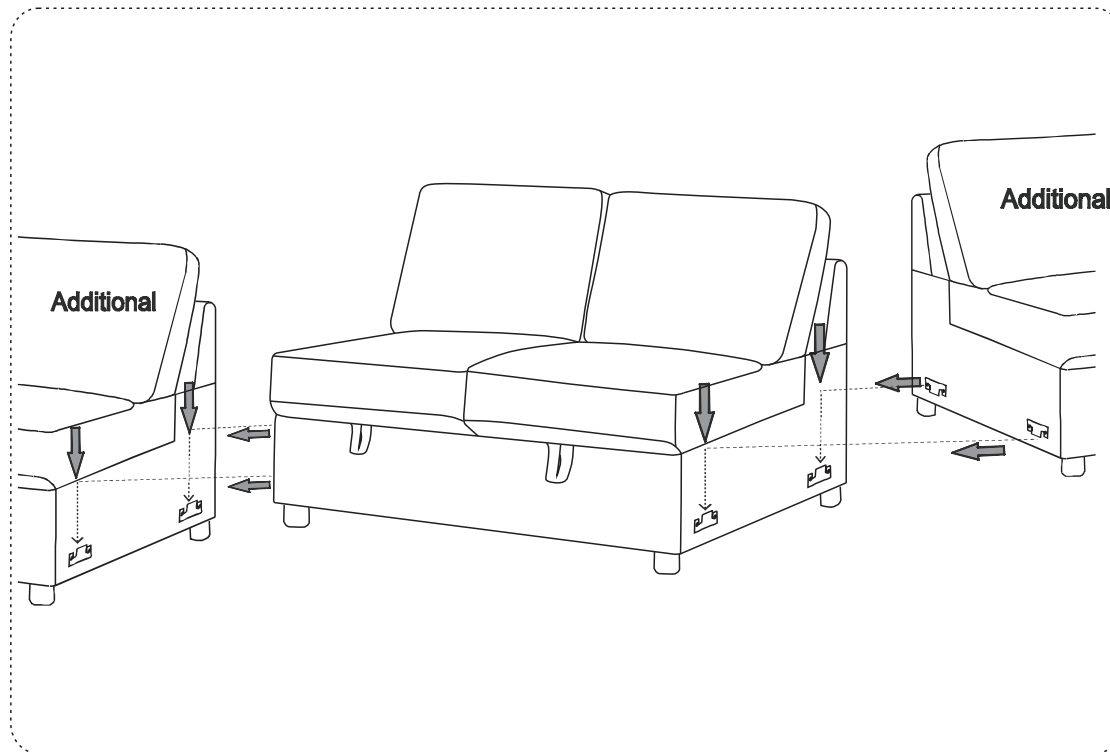
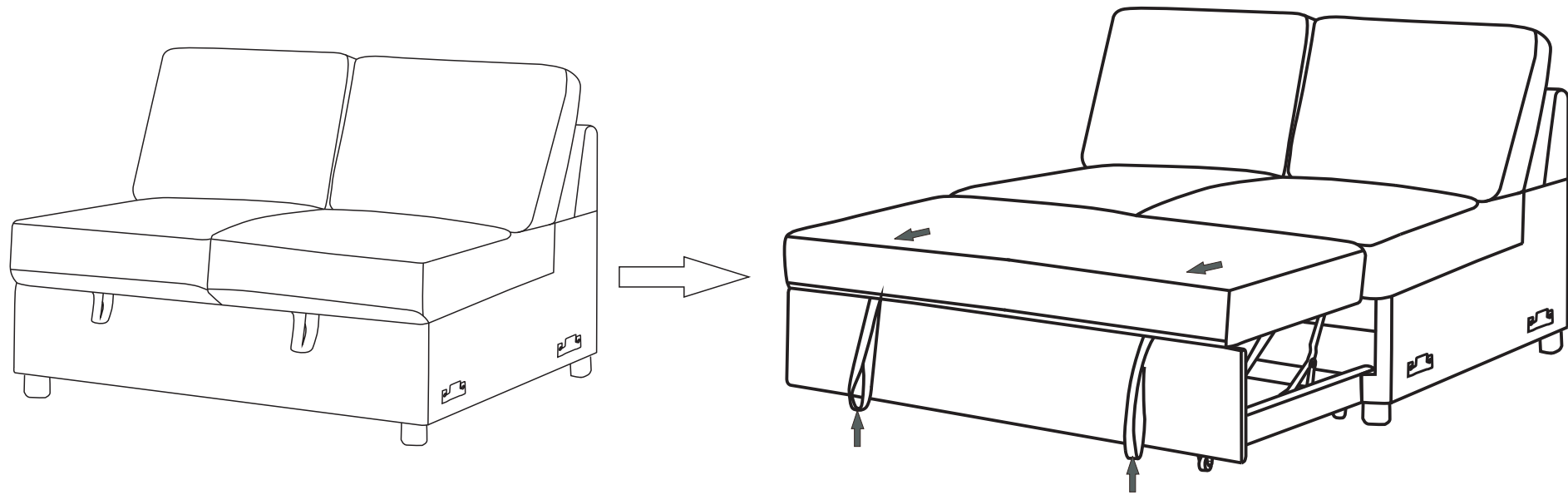
Step2



Step3

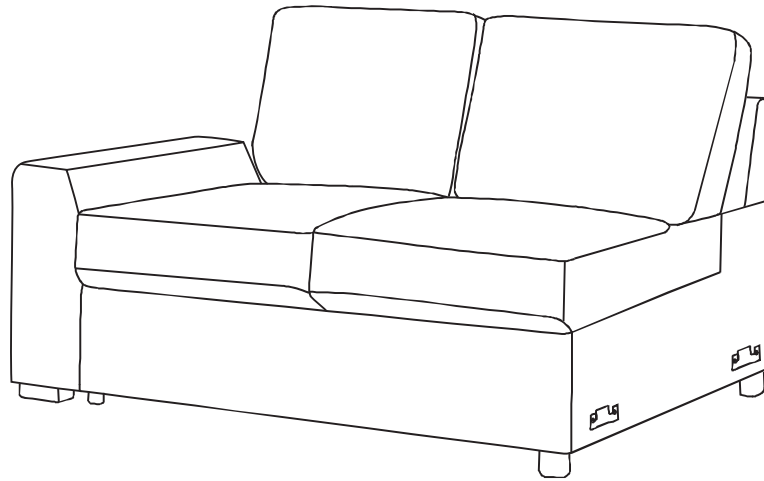


Step4

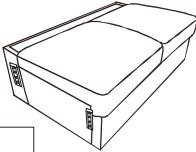
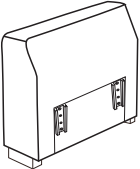
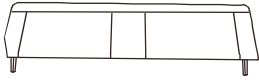




ASSEMBLY INSTRUCTION


ITEM NO.:

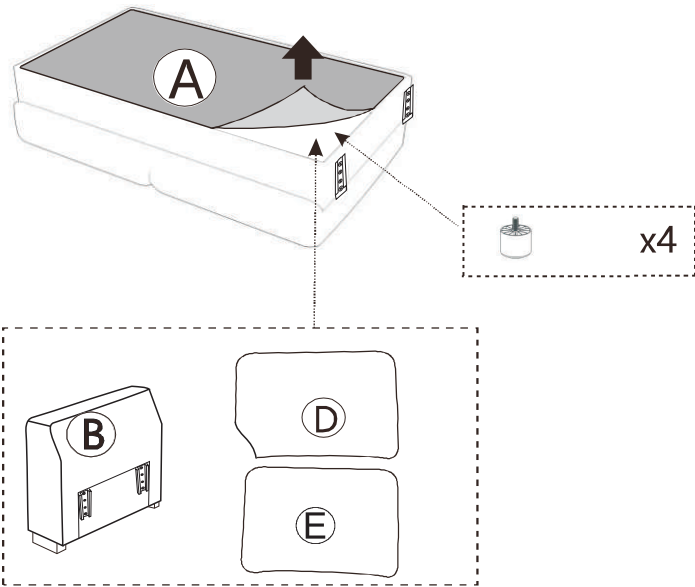


PARTS LIST

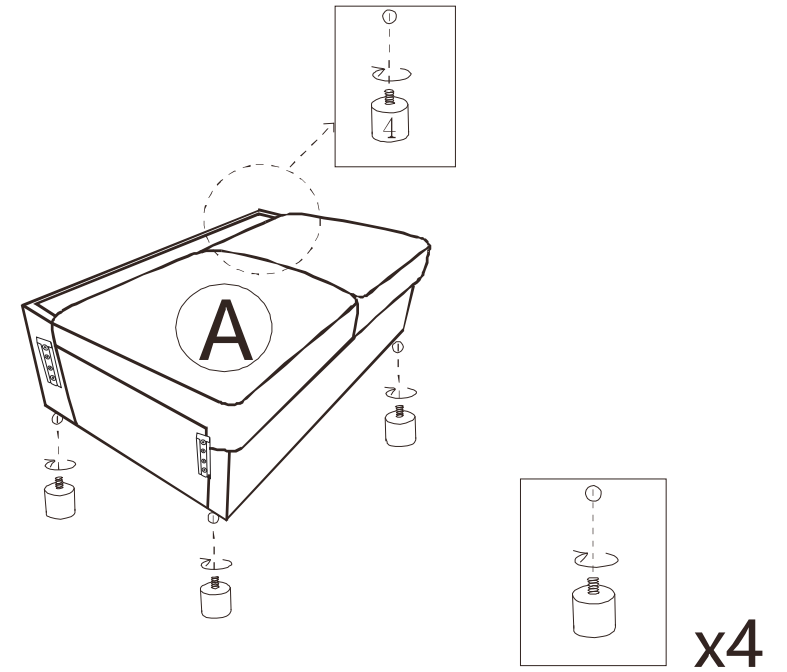
 A x1	 B x1	 C x1	 D x1	 E x1
---------------------------------------------------------------------------------------------------	---------------------------------------------------------------------------------------------------	----------------------------------------------------------------------------------------------------	-----------------------------------------------------------------------------------------------------	-----------------------------------------------------------------------------------------------------

HARDWARE LIST

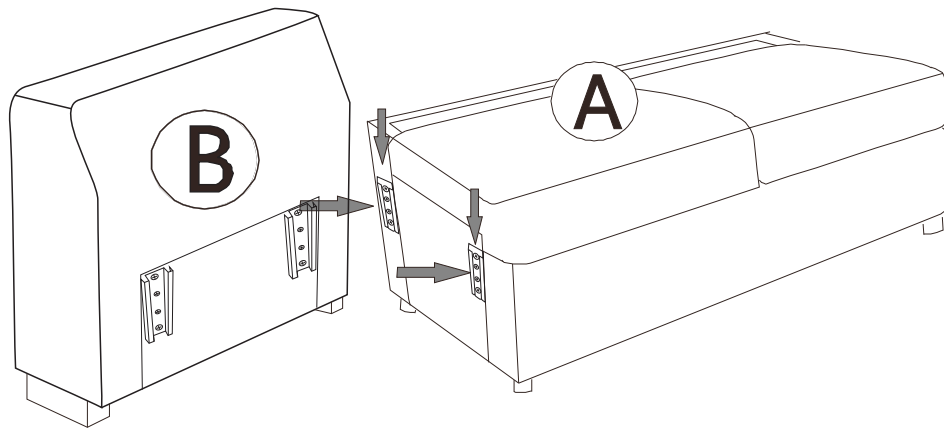
 1 x4



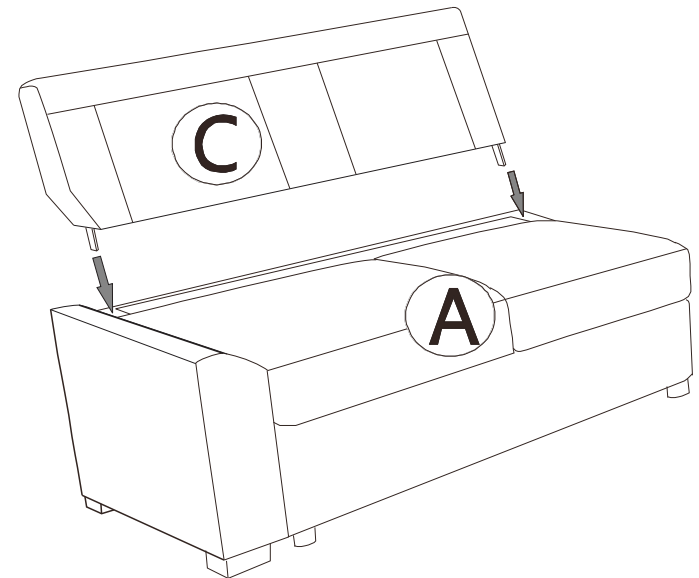
Step 1



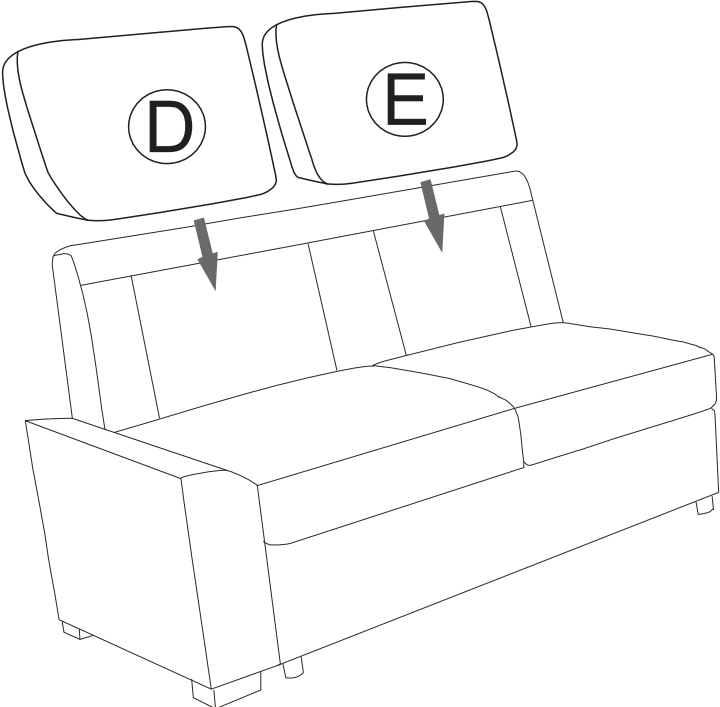
Step 2



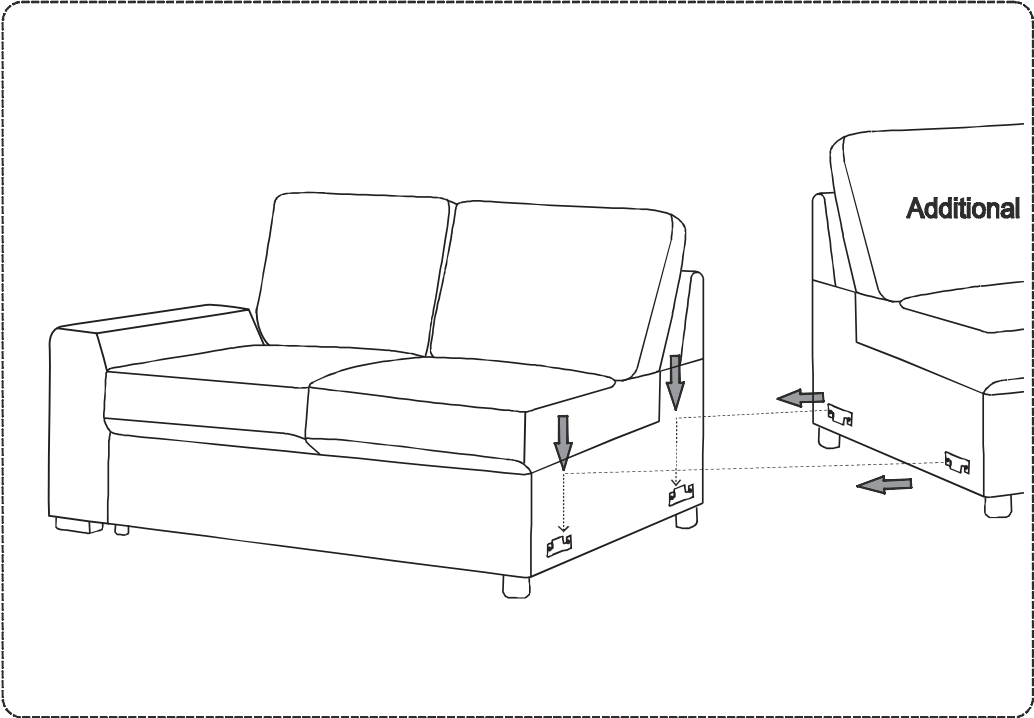
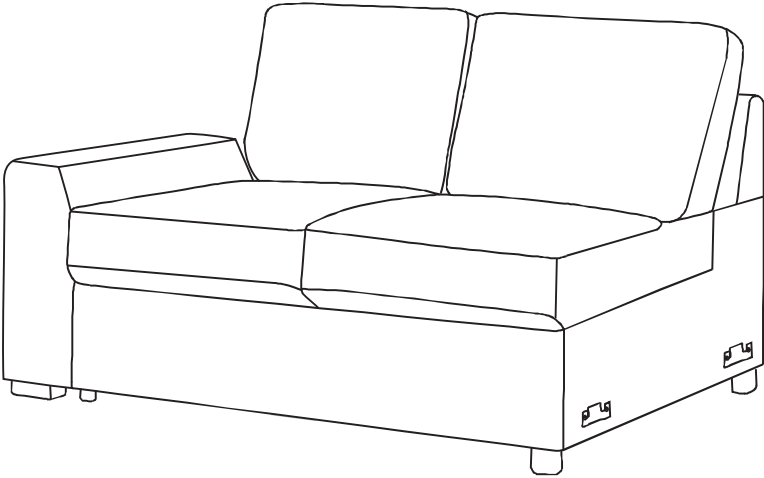
Step 3



Step4

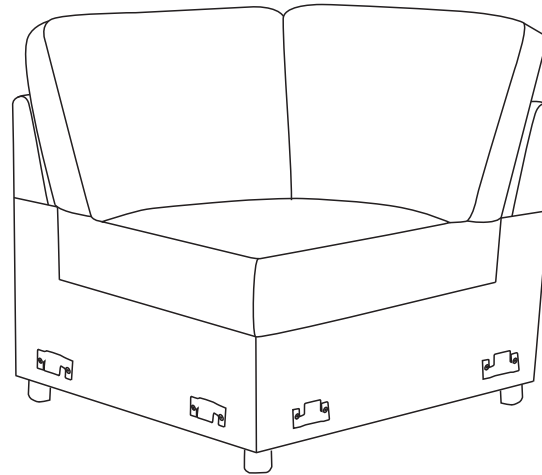


Step5

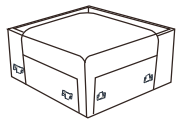


ASSEMBLY INSTRUCTION

ITEM NO.:

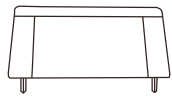


PARTS LIST



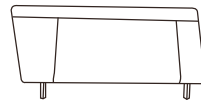
A

x1



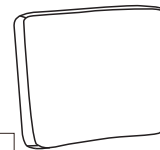
B

x1



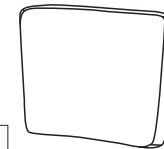
C

x1



D

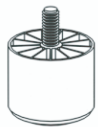
x1



E

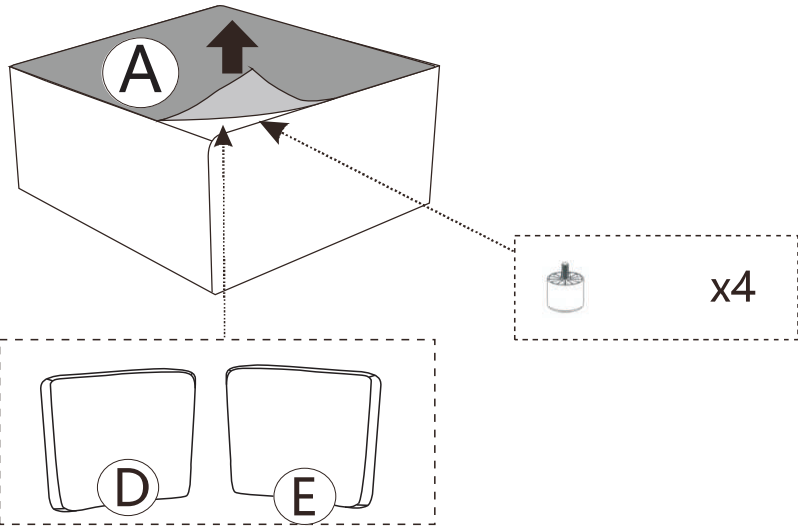
x1

HARDWARE LIST

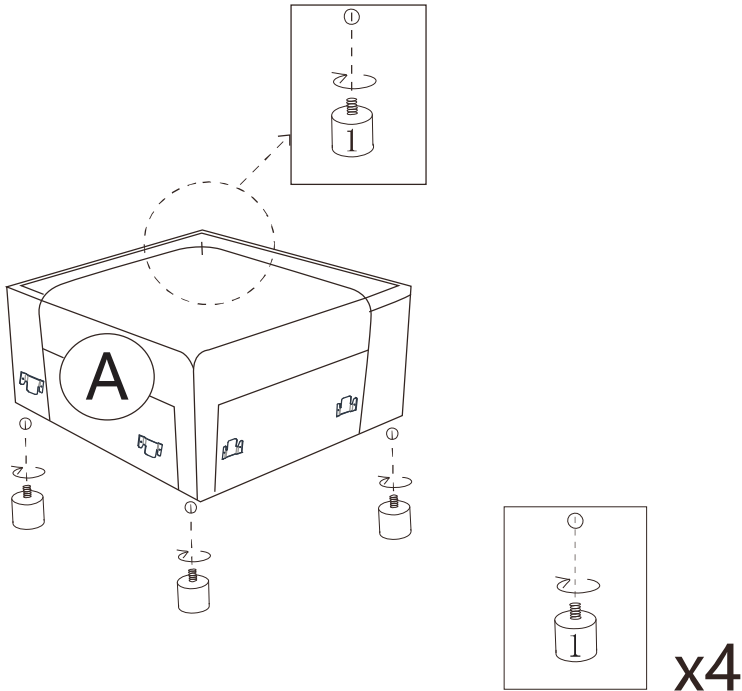


1

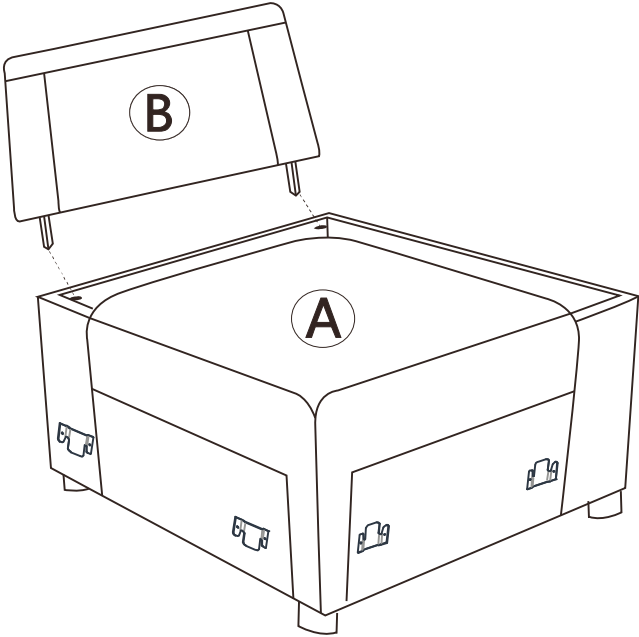
x4



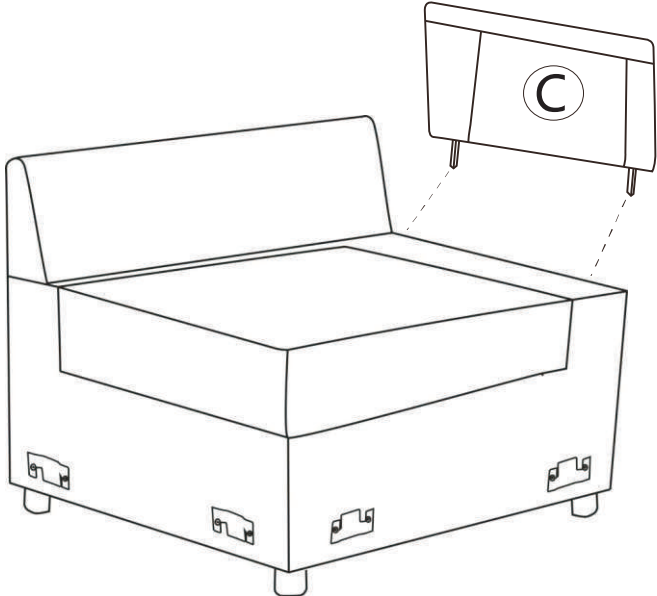
Step1



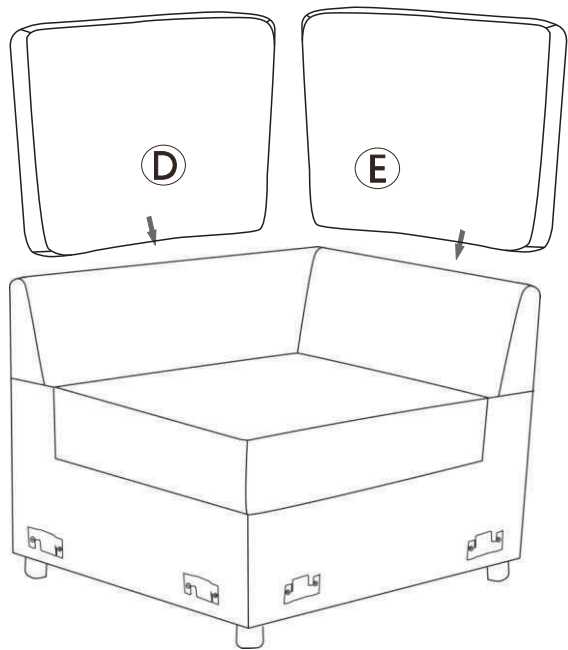
Step2



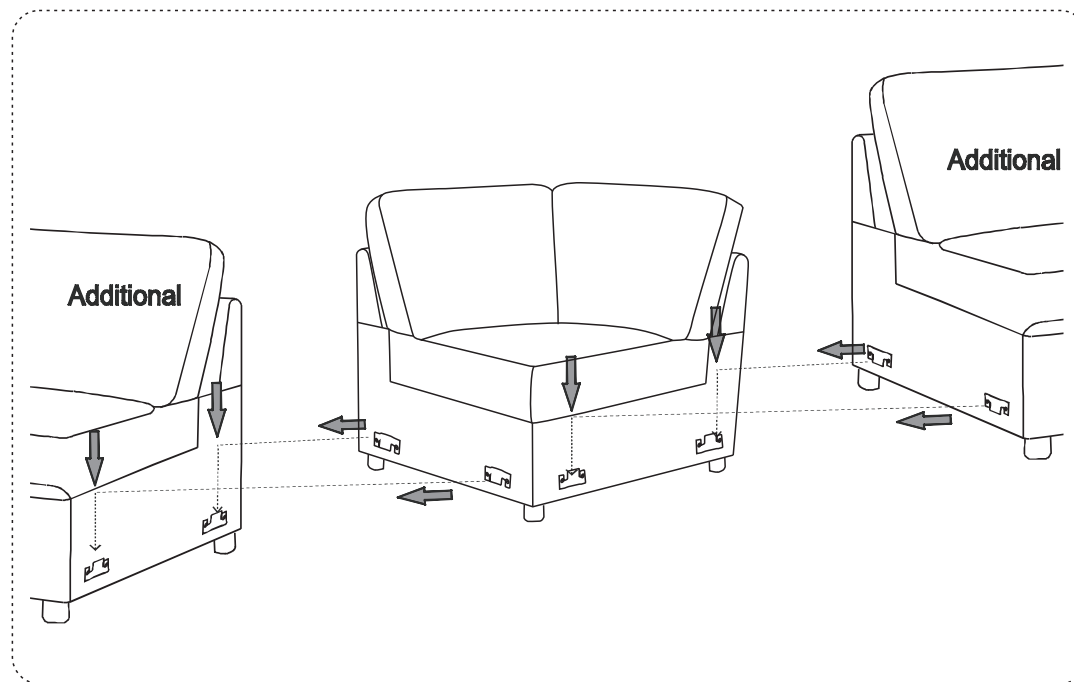
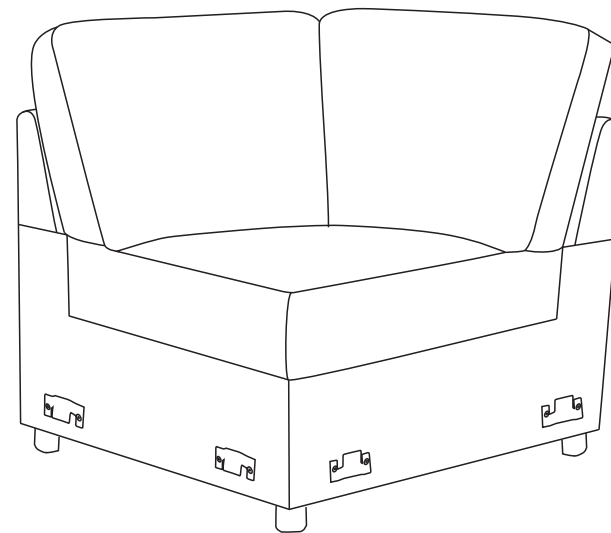
Step3



Step4

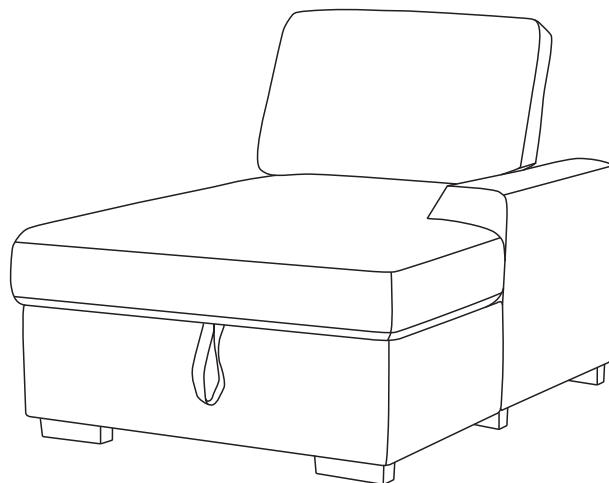


Step5

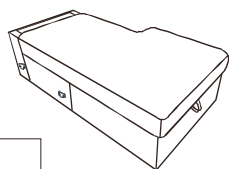


ASSEMBLY INSTRUCTION

ITEM NO.:



PARTS LIST



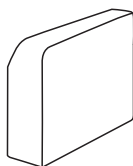
A

x1



B

x1



C

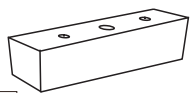
x1



D

x1

HARDWARE LIST



1

x4



2

M8X60

x4



3

M5

x1



4

x3



5

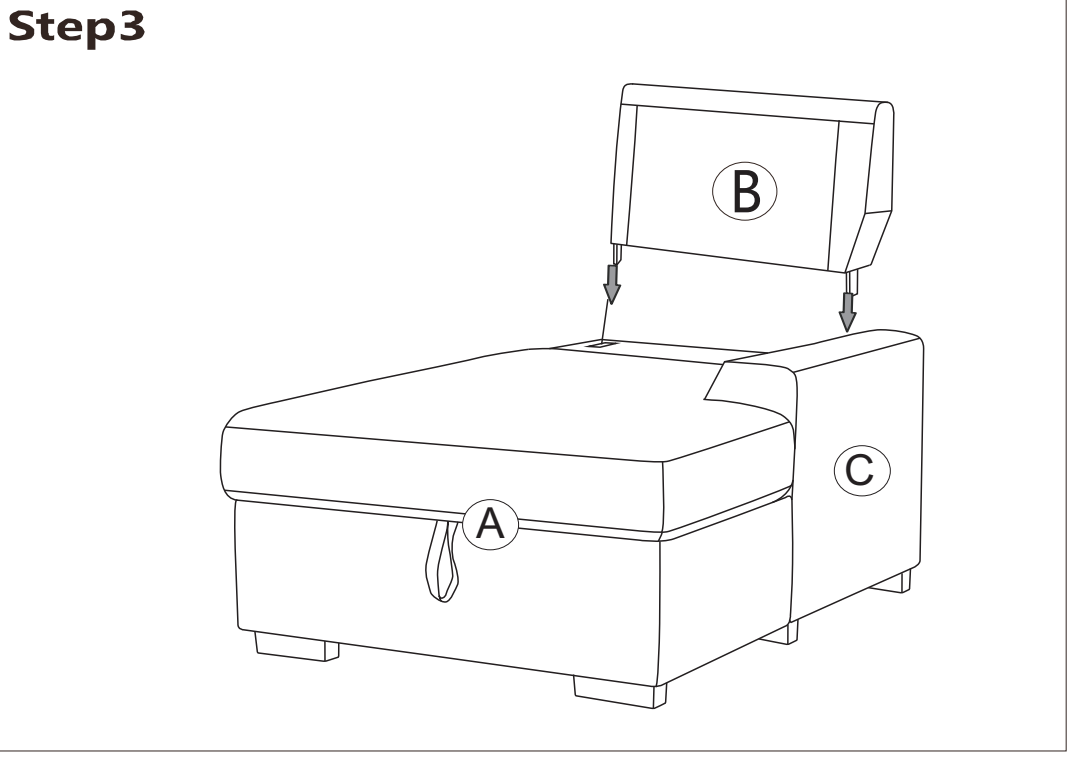
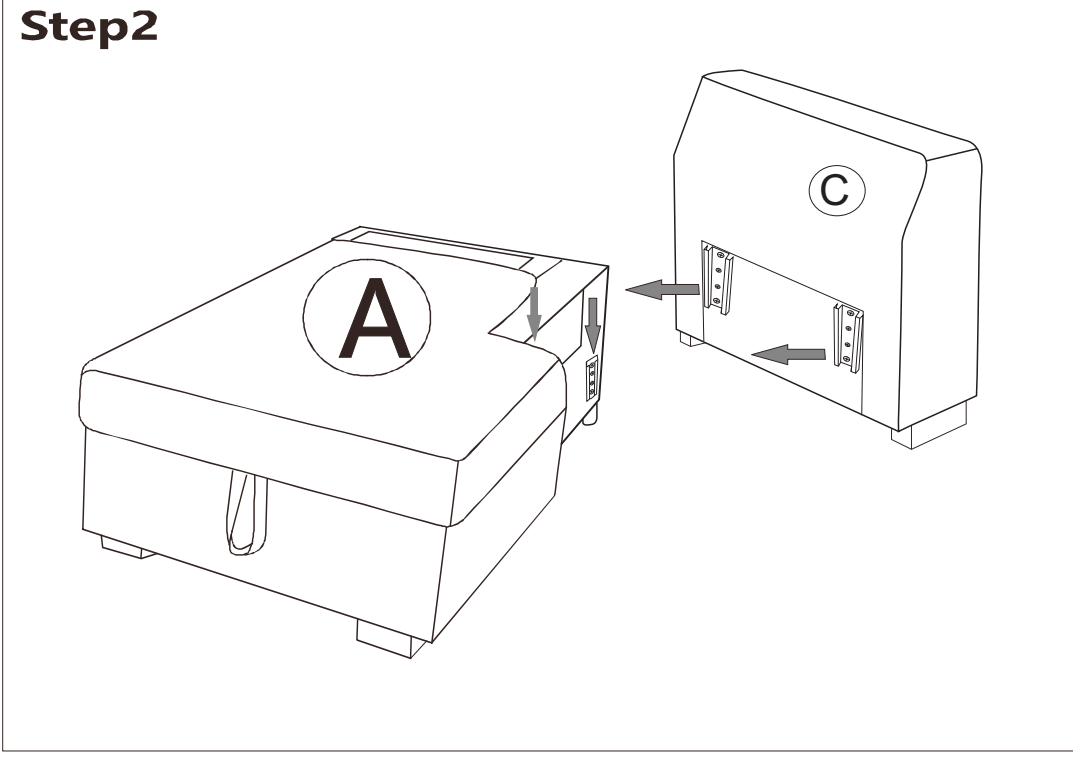
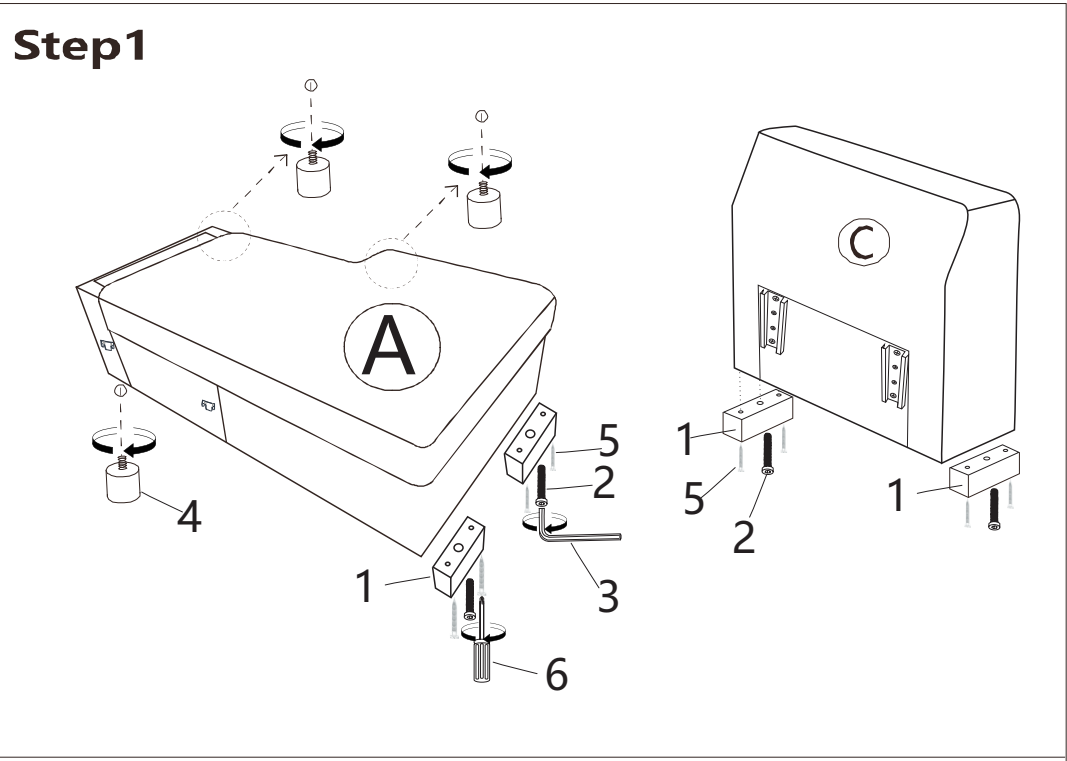
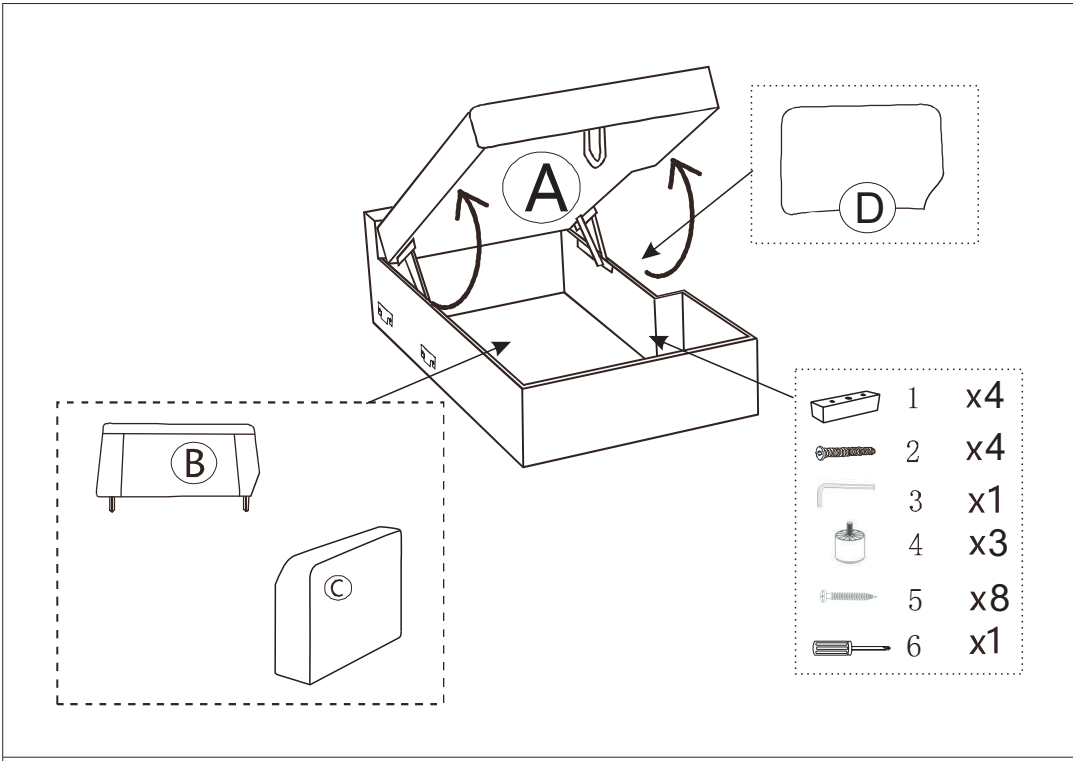
M5X50

x8

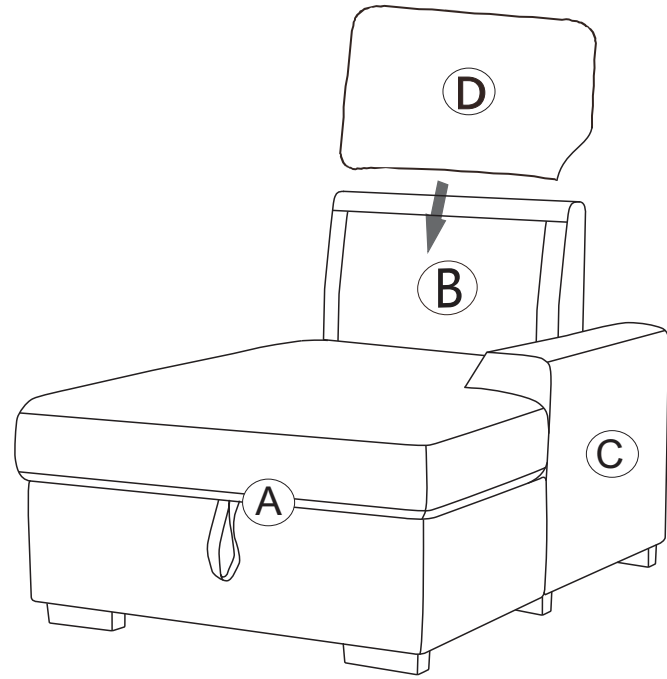


6

x1



Step4



Step5

