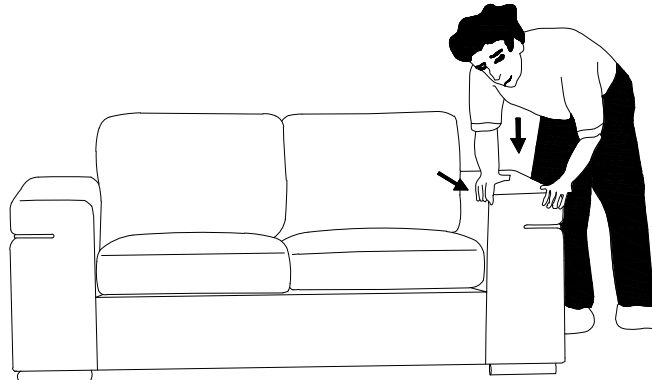


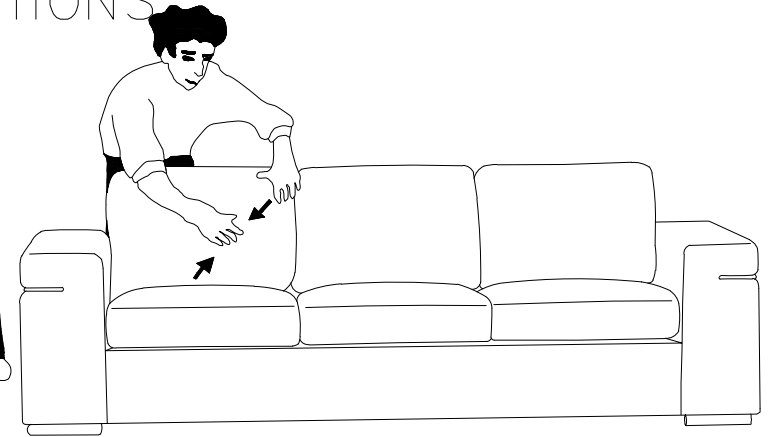
ASSEMBLY INSTRUCTIONS



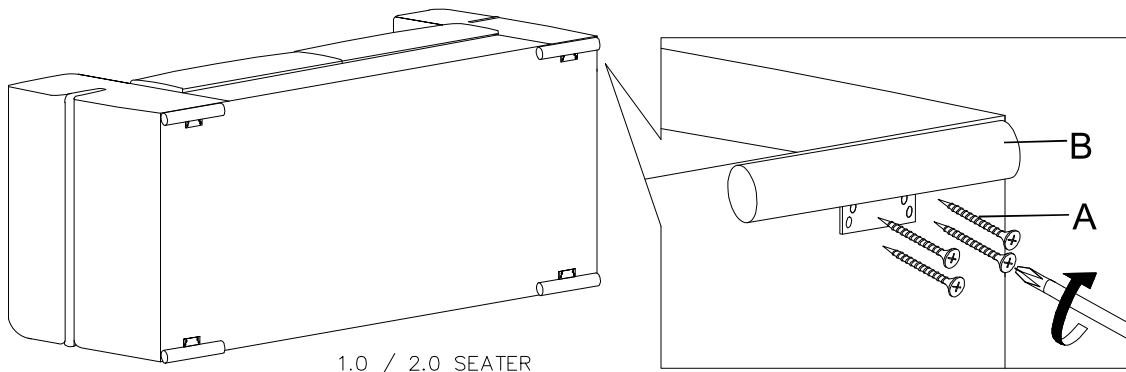
1.0 SEATER



2.0 SEATER



3.0 SEATER



1.0 / 2.0 SEATER

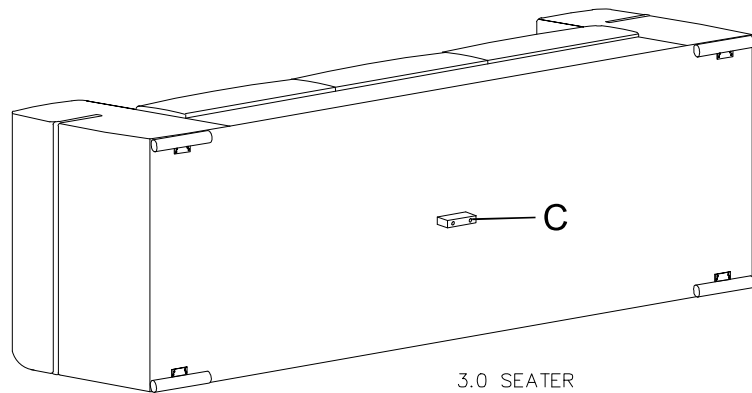
ATTENTION

Your sofa is well packed and has just completed a long journey. Your lounge suite can regain its appearance if you follow the instructions given below.

With both hands, Bring the back cushions into shape as shown in the drawing – you can thus restore the shape of the stuffing.

Get the arm cushions back into shape as shown in the drawing. You can restore the shape of the stuffing in this manner.

We wish you great pleasure with your purchase.



3.0 SEATER

HARDWARE LIST 1.0 / 2.0 SEATER

| ITEM | NAME | QTY |
|------|------------|-----|
| A | CSKA SCREW | 16 |
| B | STEEL LEG | 4 |

HARDWARE LIST 3.0 SEATER

| ITEM | NAME | QTY |
|------|------------|-----|
| A | CSKA SCREW | 18 |
| B | STEEL LEG | 4 |
| C | CENTER LEG | 1 |