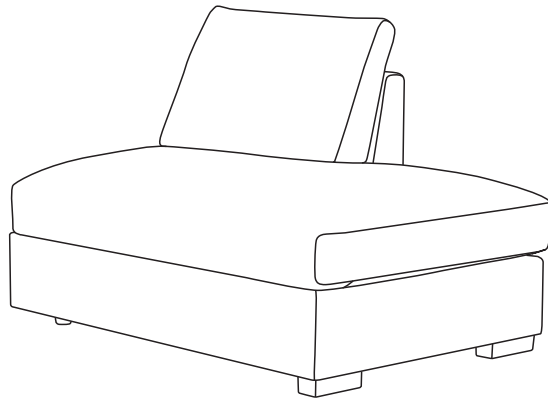

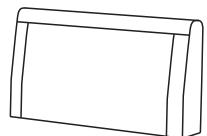

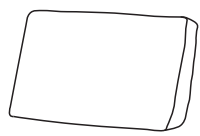


ASSEMBLY INSTRUCTION

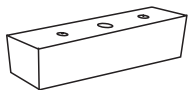
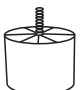

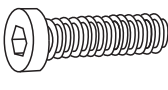



ITEM NO.:

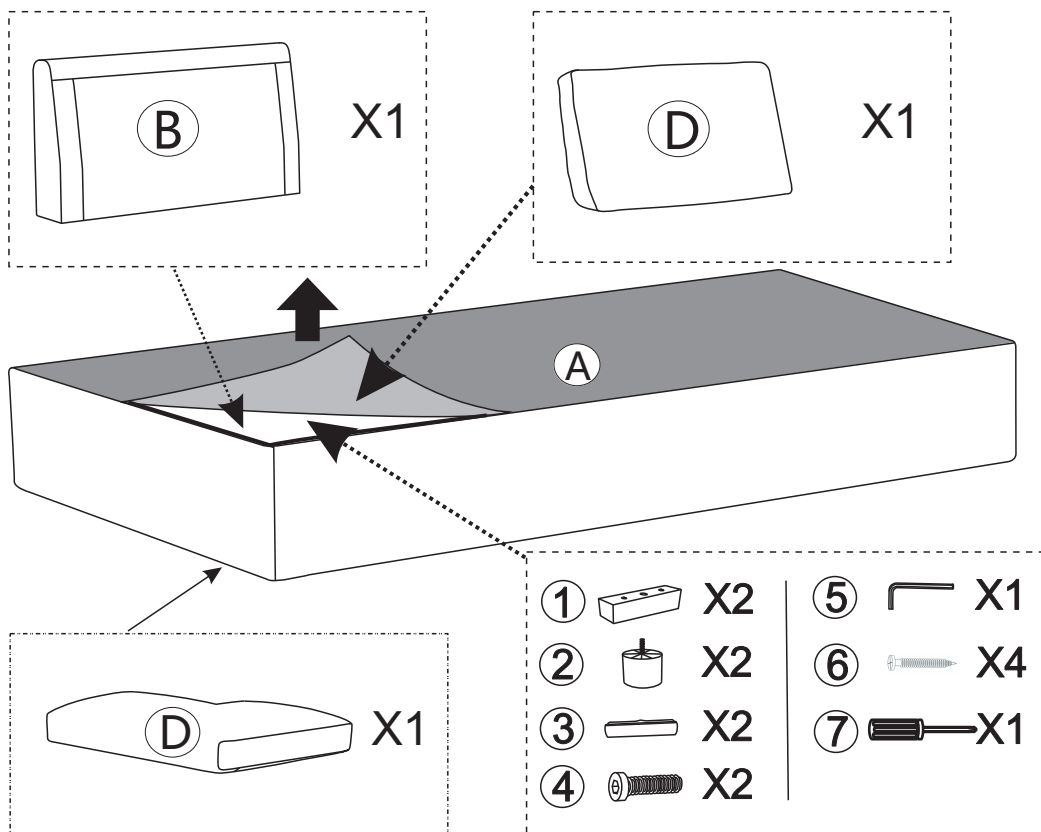


PARTS LIST

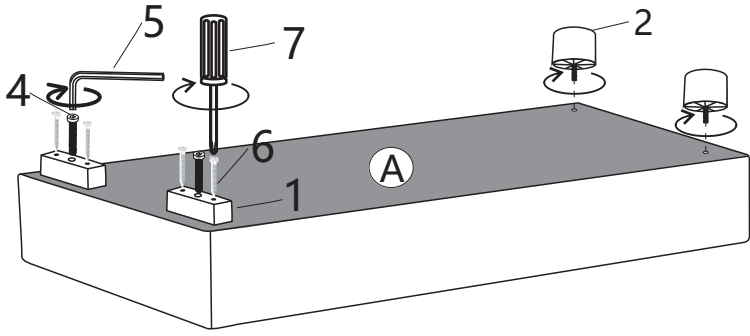
			
A	B	C	D
X1	X1	X1	X1

HARDWARE LIST

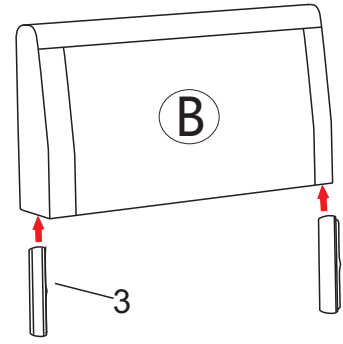
						
1	2	3	4	5	6	7
X2	X2	X2	M8X60 X2	M5 X1	M5X50 X4	X1



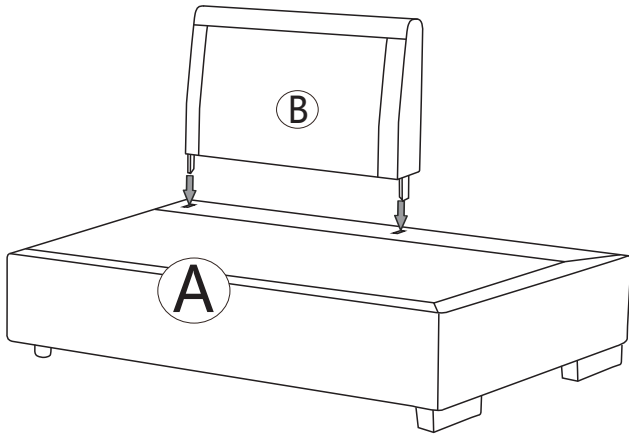
Step1



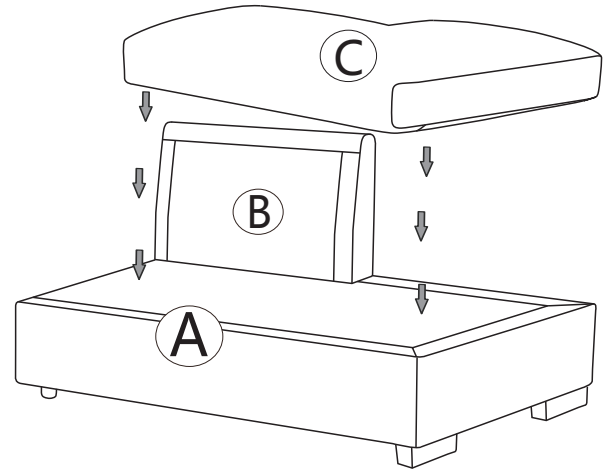
Step2 Please pay attention to follow this step to assemble!



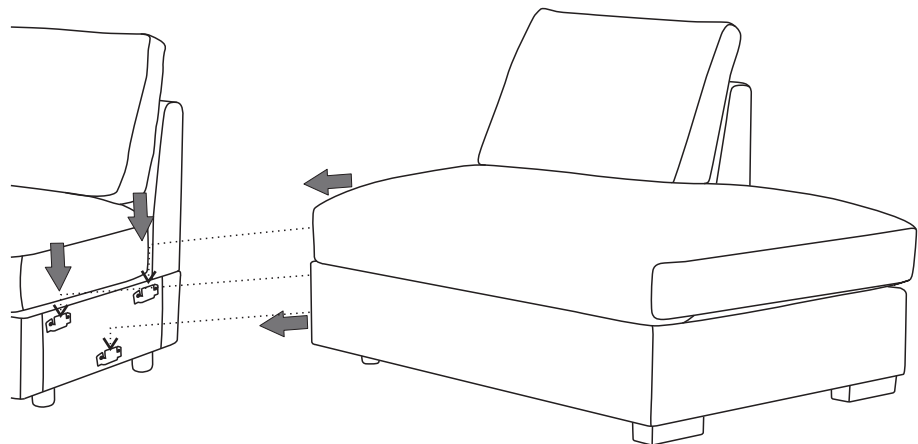
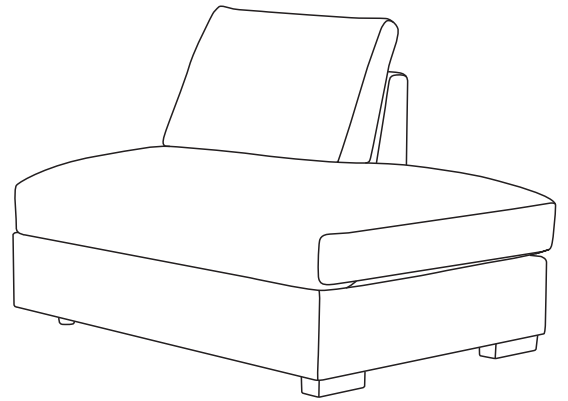
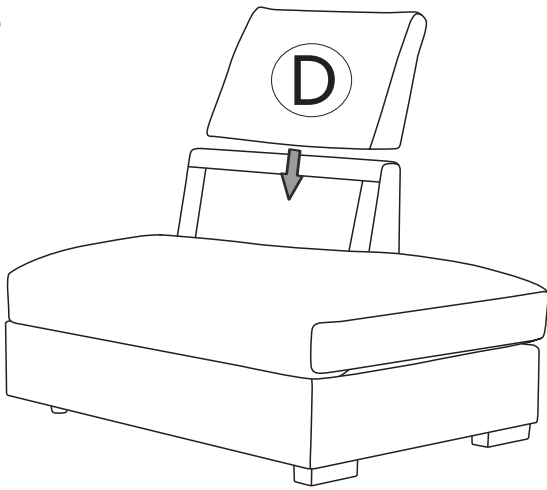
Step3



Step4

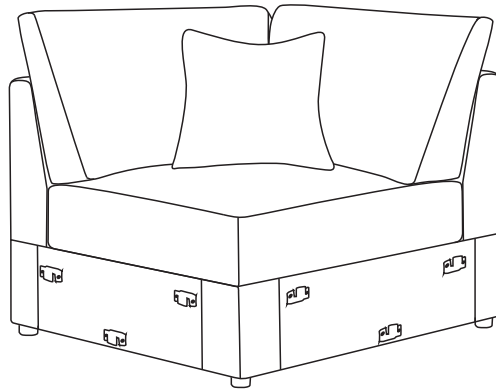


Step5

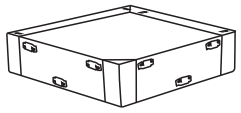


ASSEMBLY INSTRUCTION

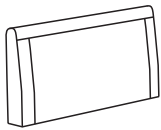
ITEM NO.:



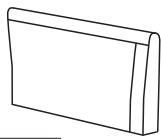
PARTS LIST



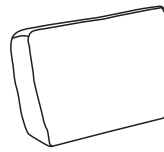
A X1



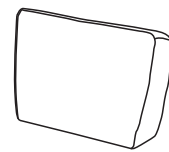
B X1



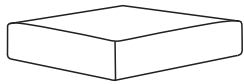
C X1



D X1



E X1



F X1

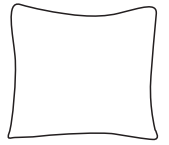
HARDWARE LIST



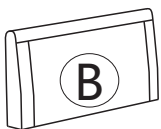
1 X4



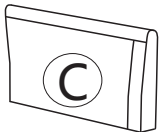
2 X4



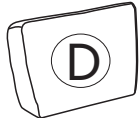
G X1



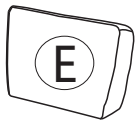
X1



X1



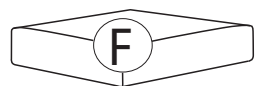
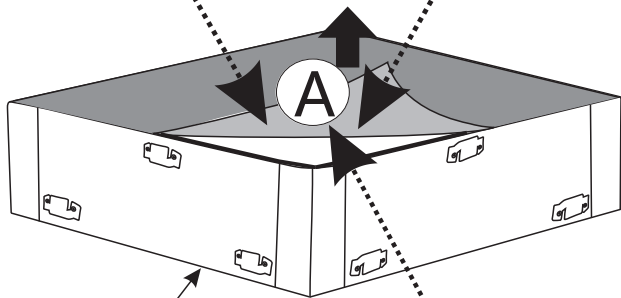
X1



X1



X1

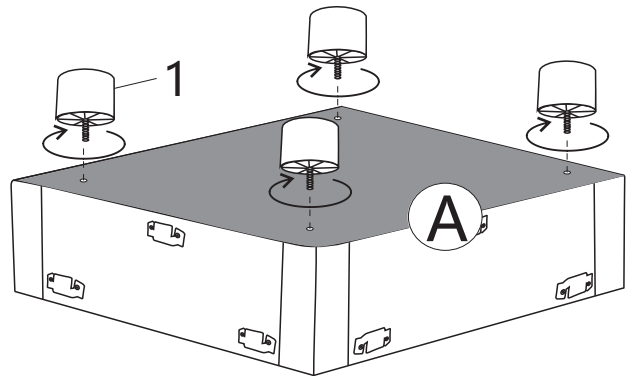


X1

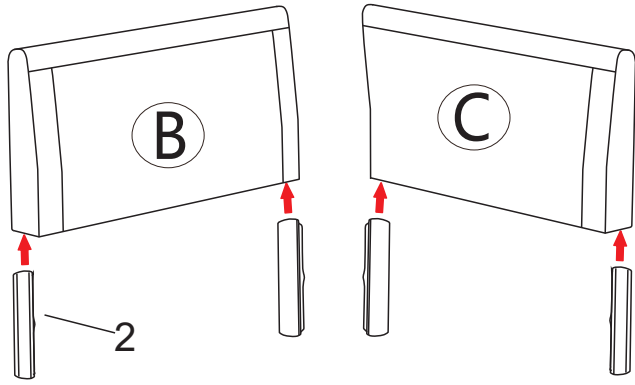
1  X4

2  X4

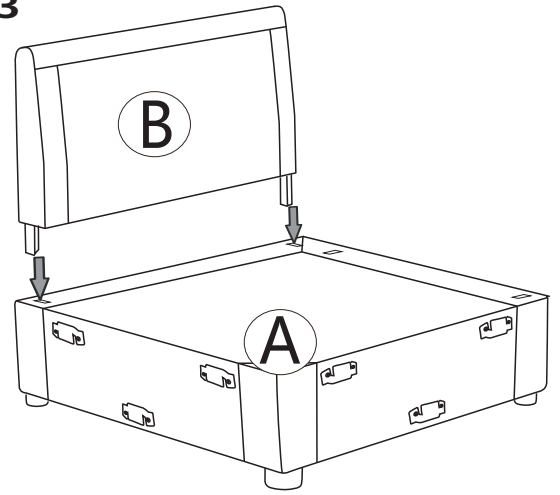
Step 1



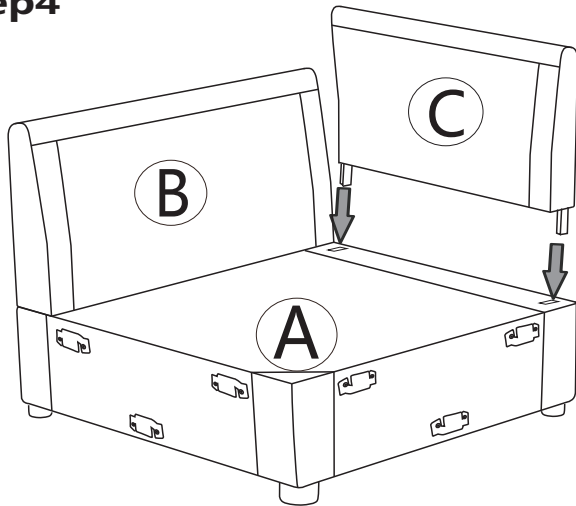
Step2 Please pay attention to follow this step to assemble!



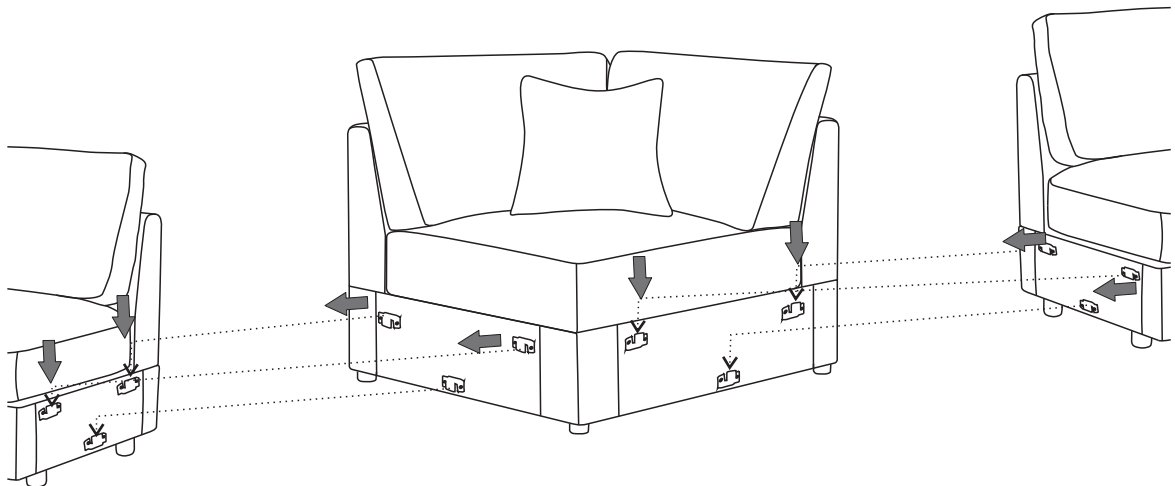
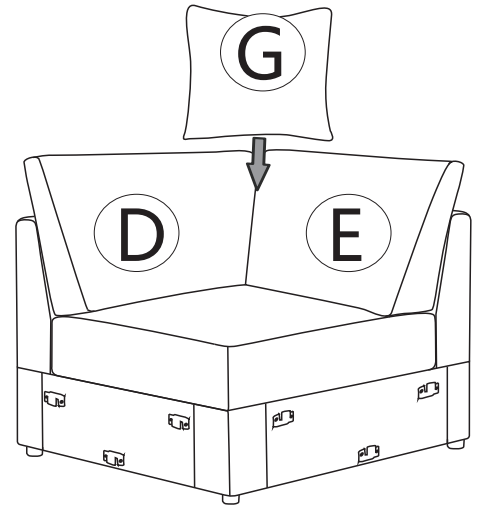
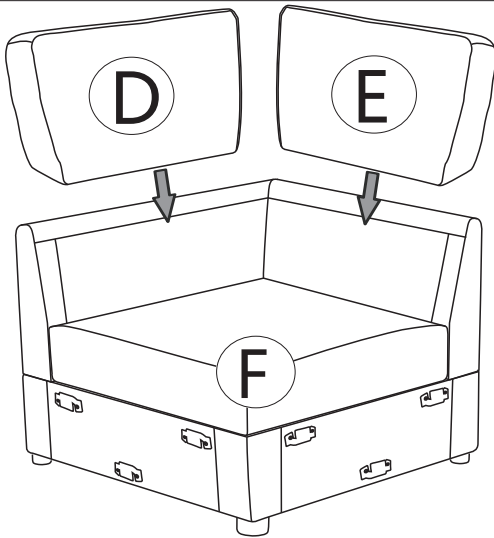
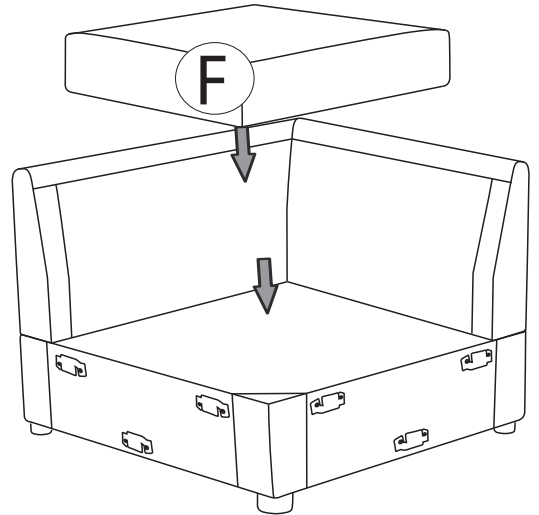
Step3



Step4

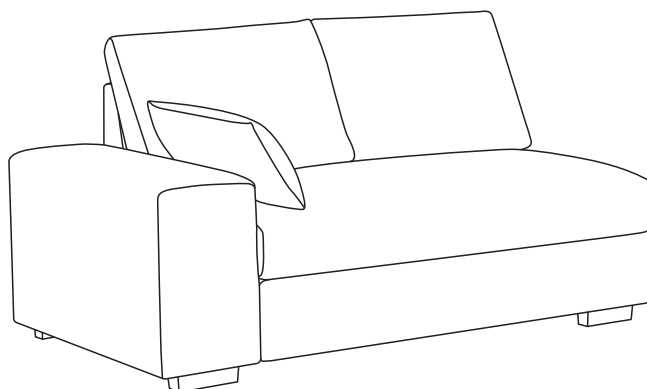


Step5


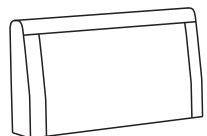

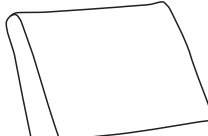
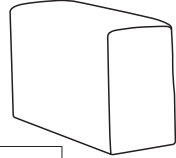



ASSEMBLY INSTRUCTION

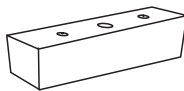
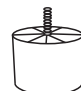

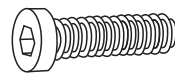



ITEM NO.:



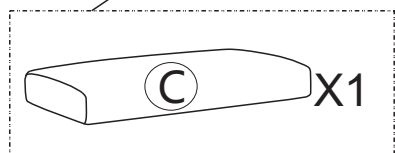
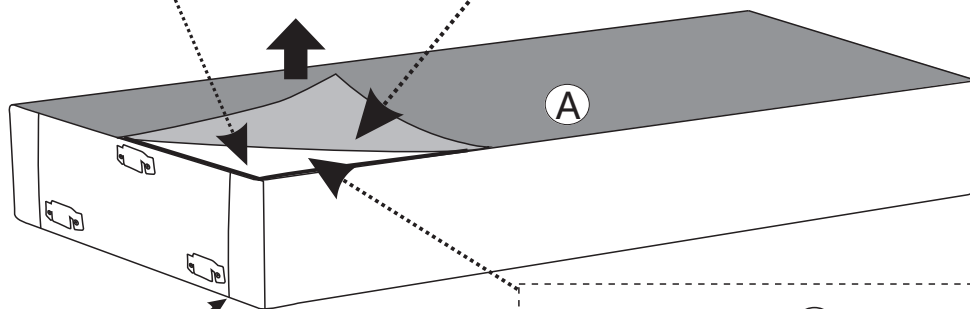
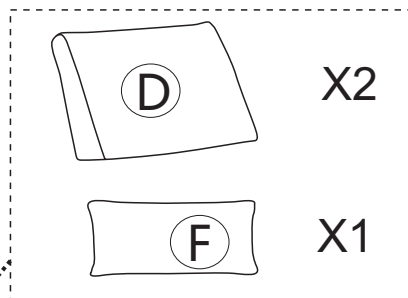
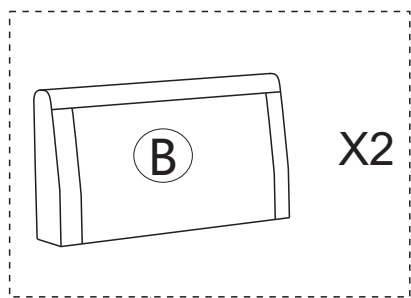
PARTS LIST

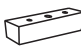






					
A	B	C	D	E	F
X1	X2	X1	X2	X1	X1

HARDWARE LIST

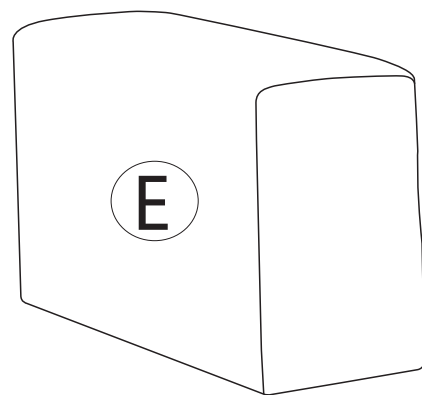
						
1	2	3	4	5	6	7
X3	X3	X4	M8X60 X3	M5 X1	M5X50 X6	X1

BOX-1

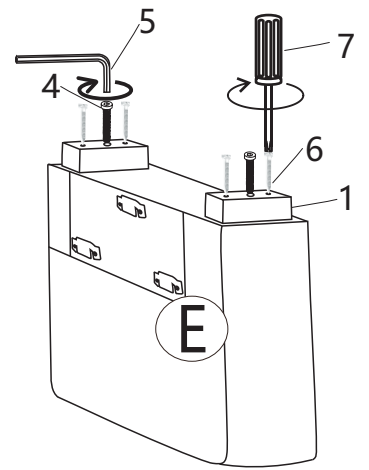
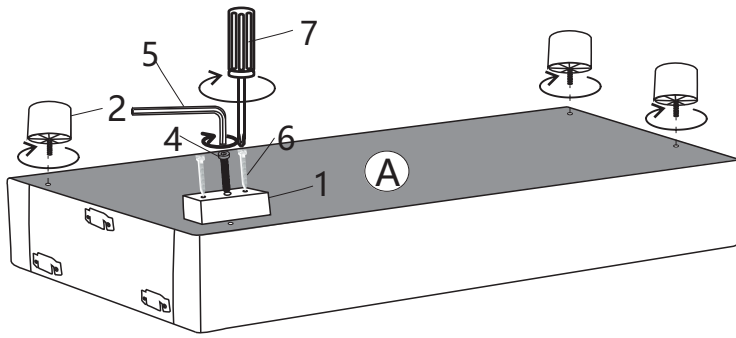


1		X3	5		X1
2		X3	6		X6
3		X4	7		X1
4		X3			

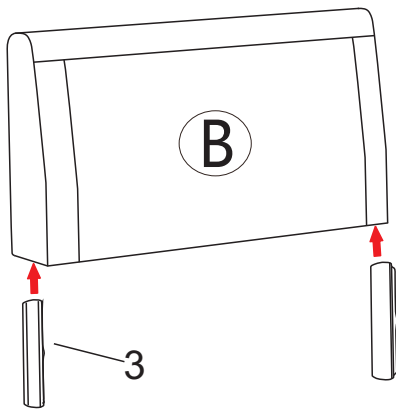
BOX-2



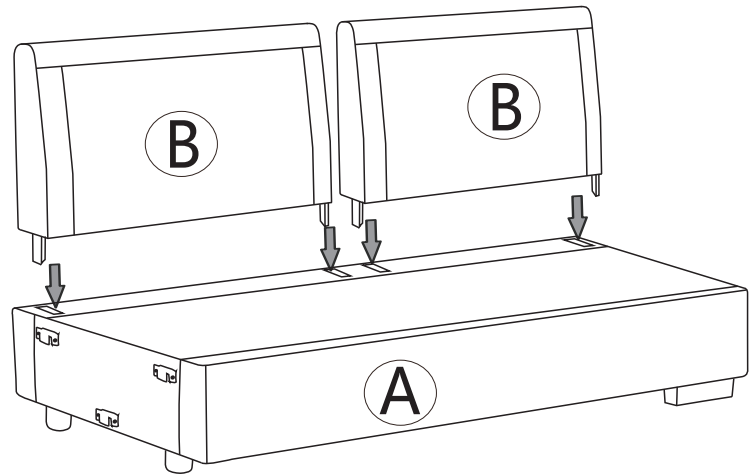
Step1



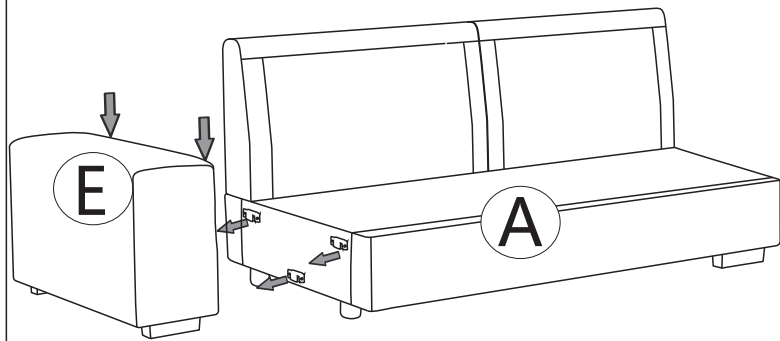
Step2 Please pay attention to follow this step to assemble!



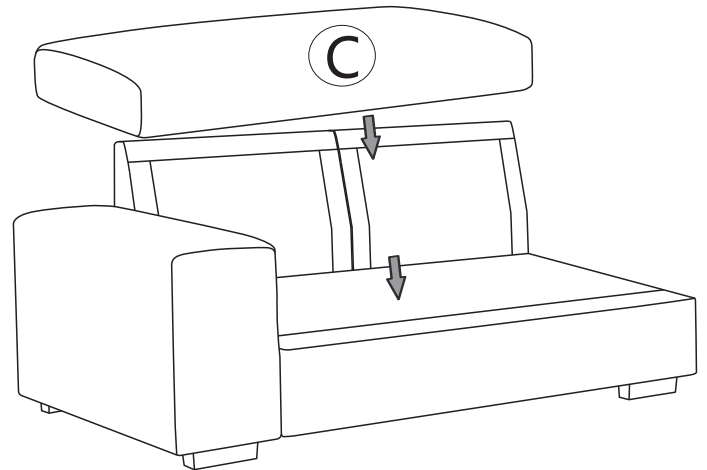
Step3



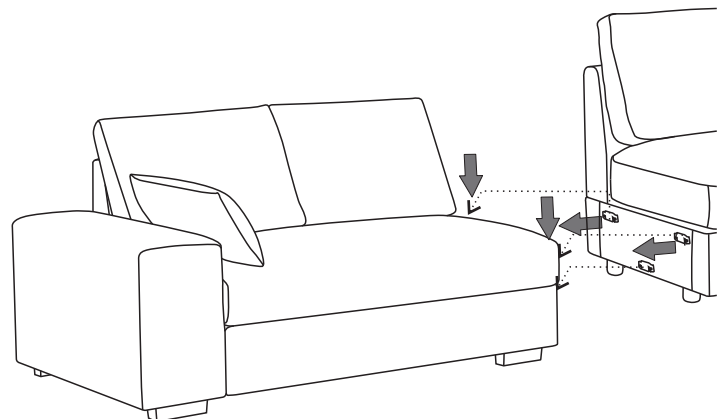
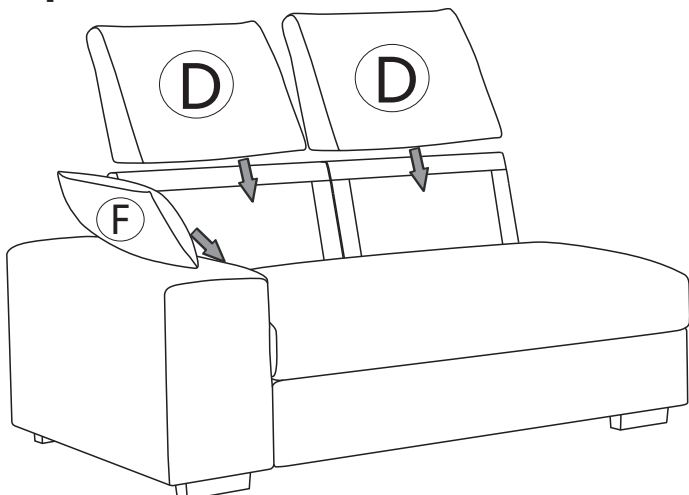
Step4



Step5

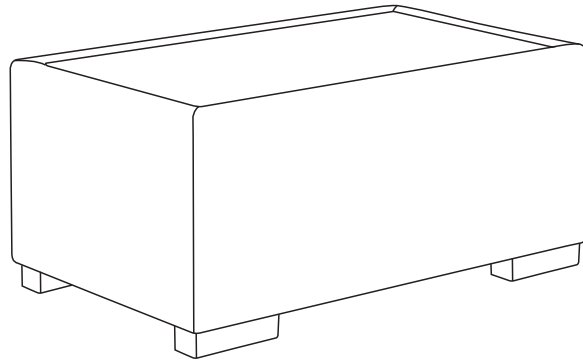


Step6

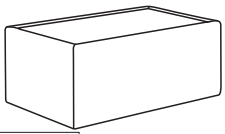


ASSEMBLY INSTRUCTION

ITEM NO.:

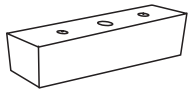


PARTS LIST

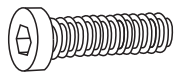


A X1

HARDWARE LIST



1 X4



M8X60

2 X4



M5

3 X1




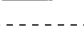


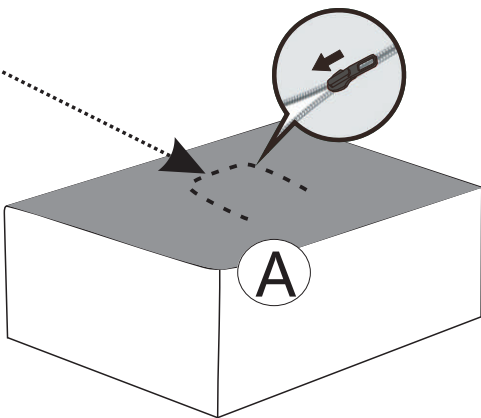
M5X50

4 X8



5 X1

- 1**  X4
- 2**  X4
- 3**  X1
- 4**  X8
- 5**  X1



Step 1

