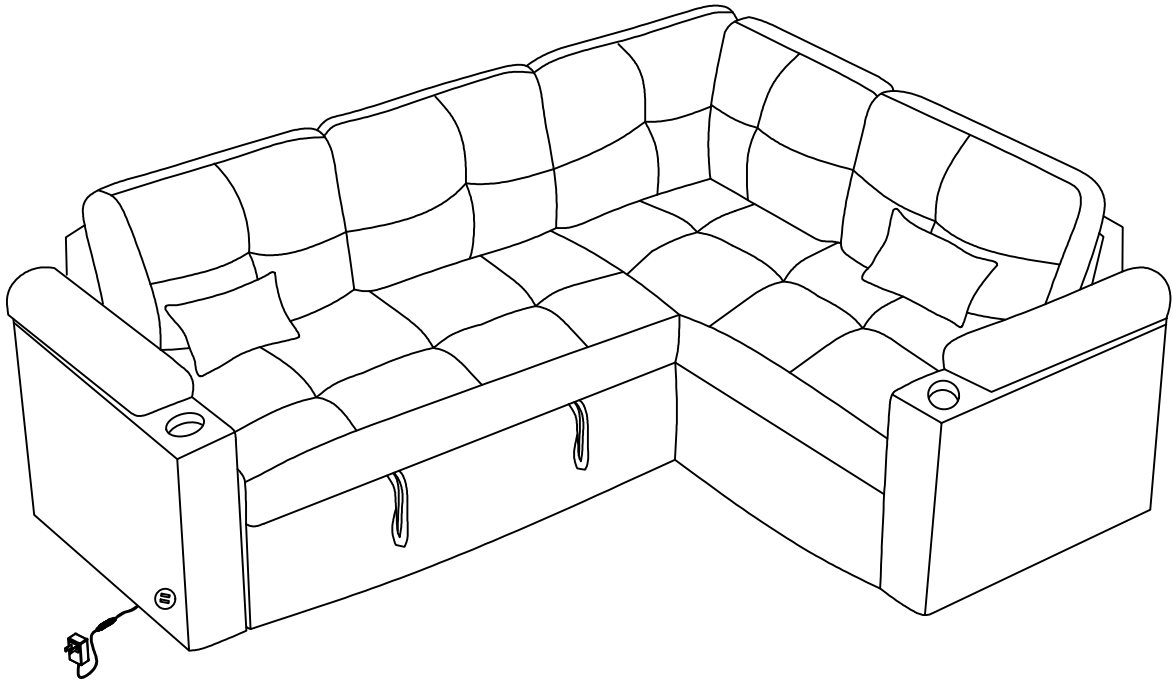


ASSEMBLY INSTRUCTIONS


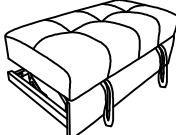
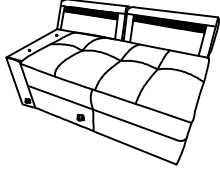
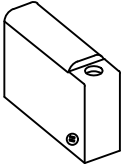
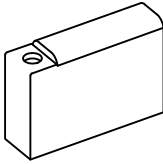
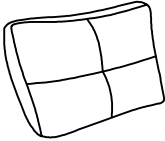
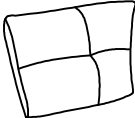
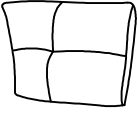
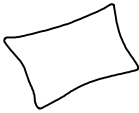
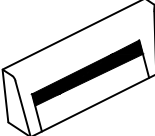

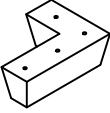


89308



ASSEMBLY INSTRUCTIONS

89308







PART LISTS: 89308

A  1 pc	B  1 pc	C  1 pc
D  1 pc	E  1 pc	F  3 pcs
G  1 pc	H  1 pc	I  2 pcs
J  1 pc	K  10 pcs	L  2 pcs
M  4 pcs	N  1 pc	

ASSEMBLY INSTRUCTIONS

89308

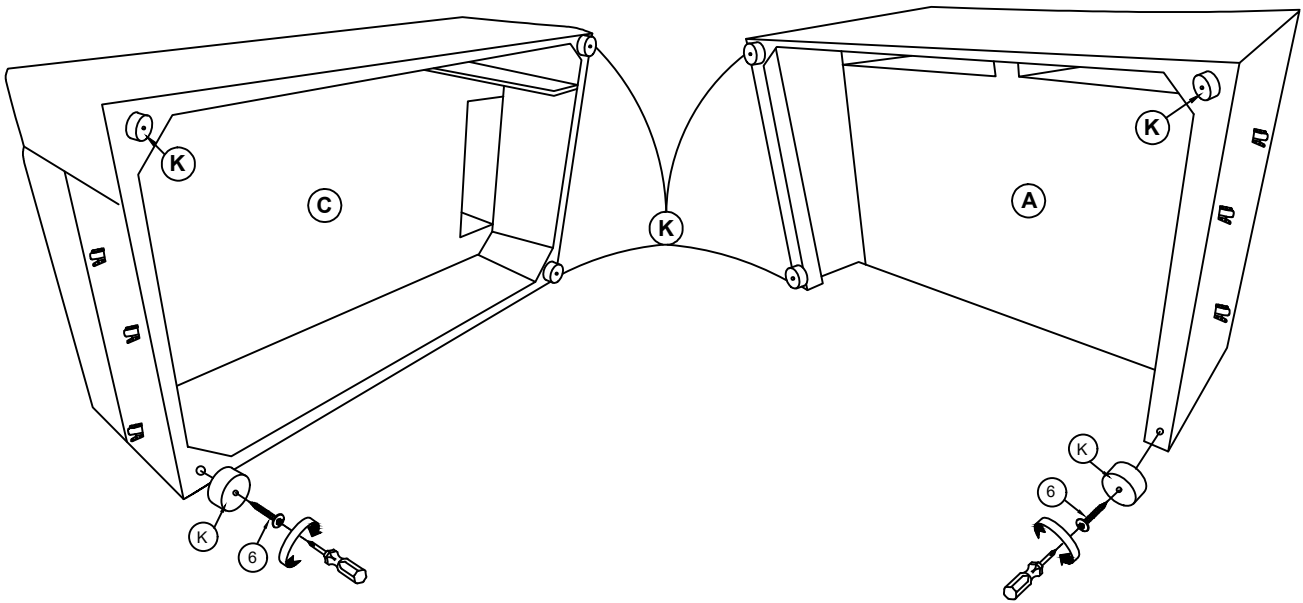
HARDWARE LISTS: 89308

<p>1</p>  <p>Full-thread bolt Ø 5/16"X90mm 2pcs</p>	<p>2</p>  <p>Flat Washer Ø5/16-RBW 2pcs</p>	<p>3</p>  <p>Full-thread bolt 16mmx13mmx13mm 2pcs</p>
<p>4</p>  <p>Open wrench (12mm) 1pc</p>	<p>5</p>  <p>Screw (M4x20mm) 12pcs</p>	<p>6</p>  <p>Screw (M4x50mm) 18pcs</p>

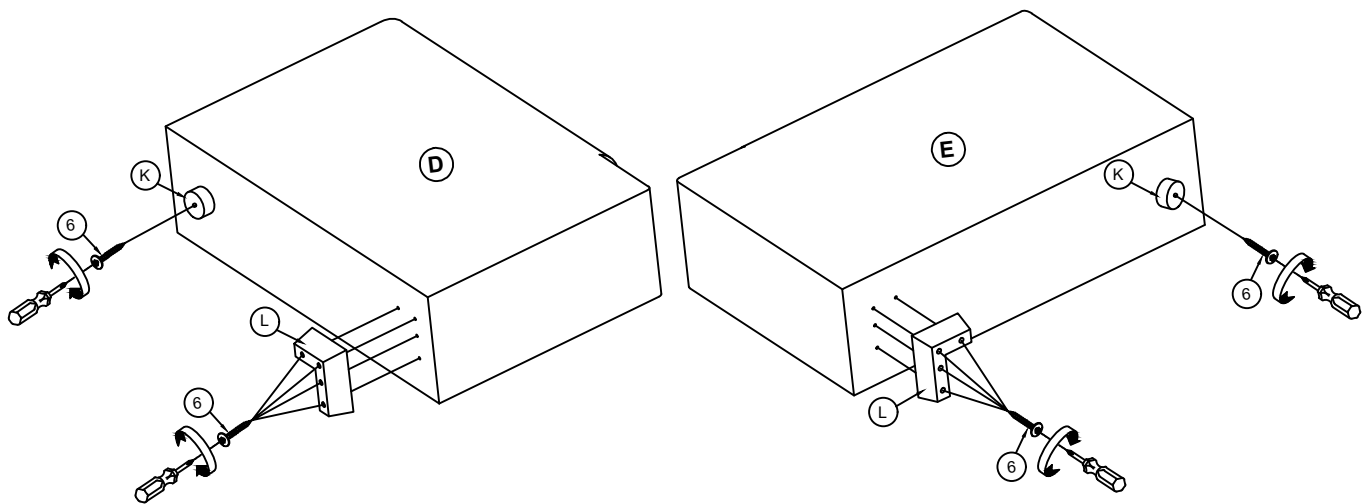
ASSEMBLY INSTRUCTIONS

89308

Step 1:



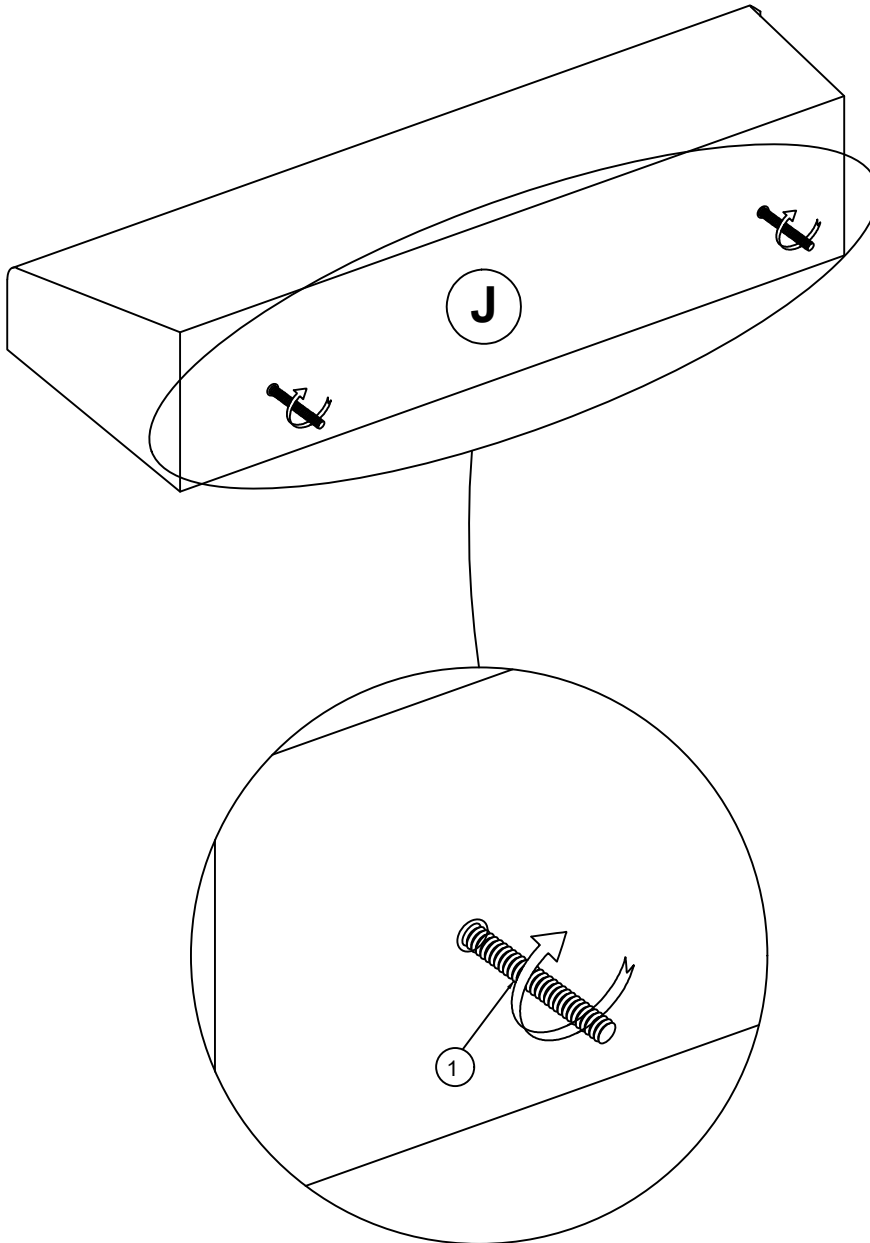
Step 2:



ASSEMBLY INSTRUCTIONS

89308

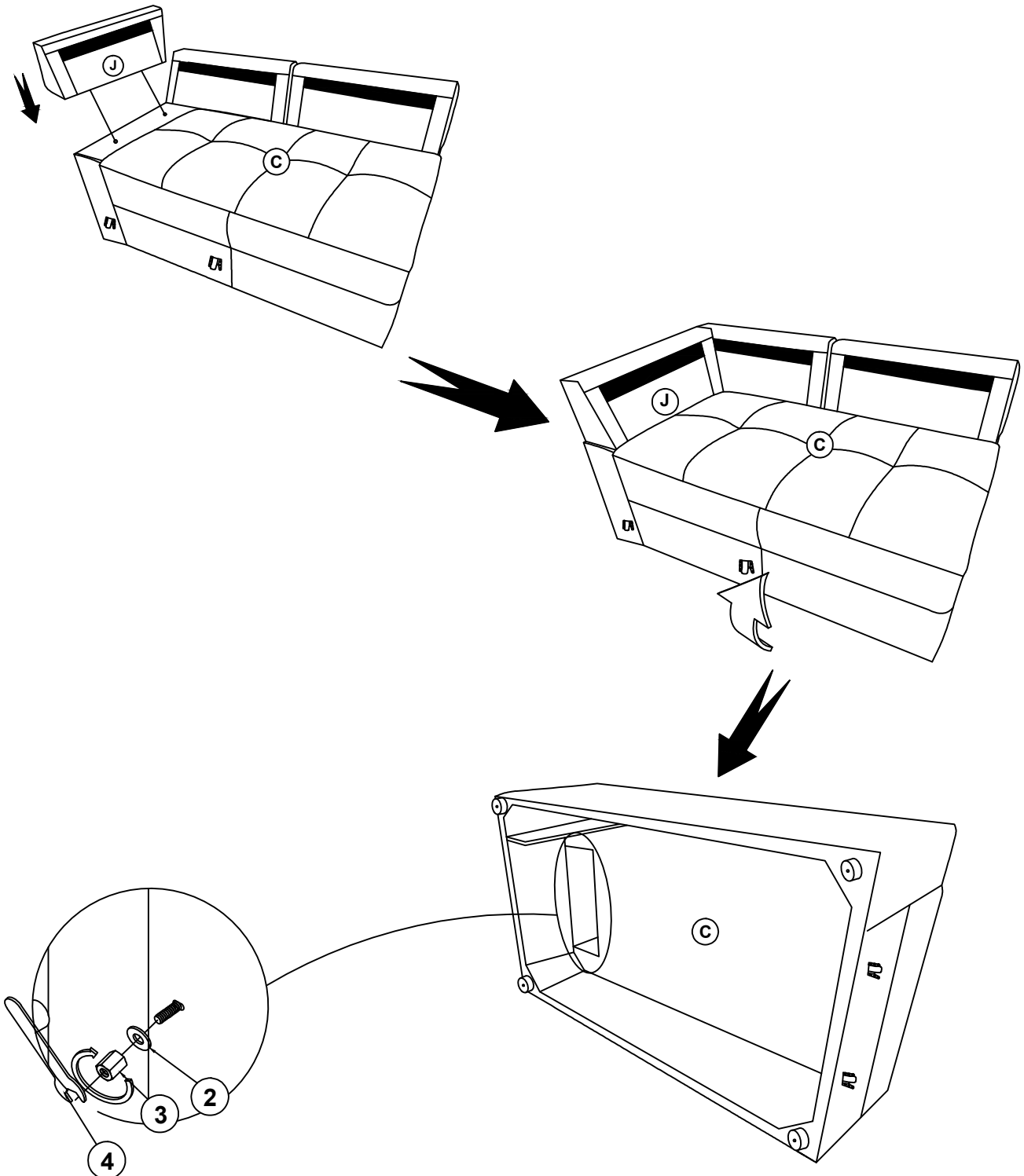
Step 3:



ASSEMBLY INSTRUCTIONS

89308

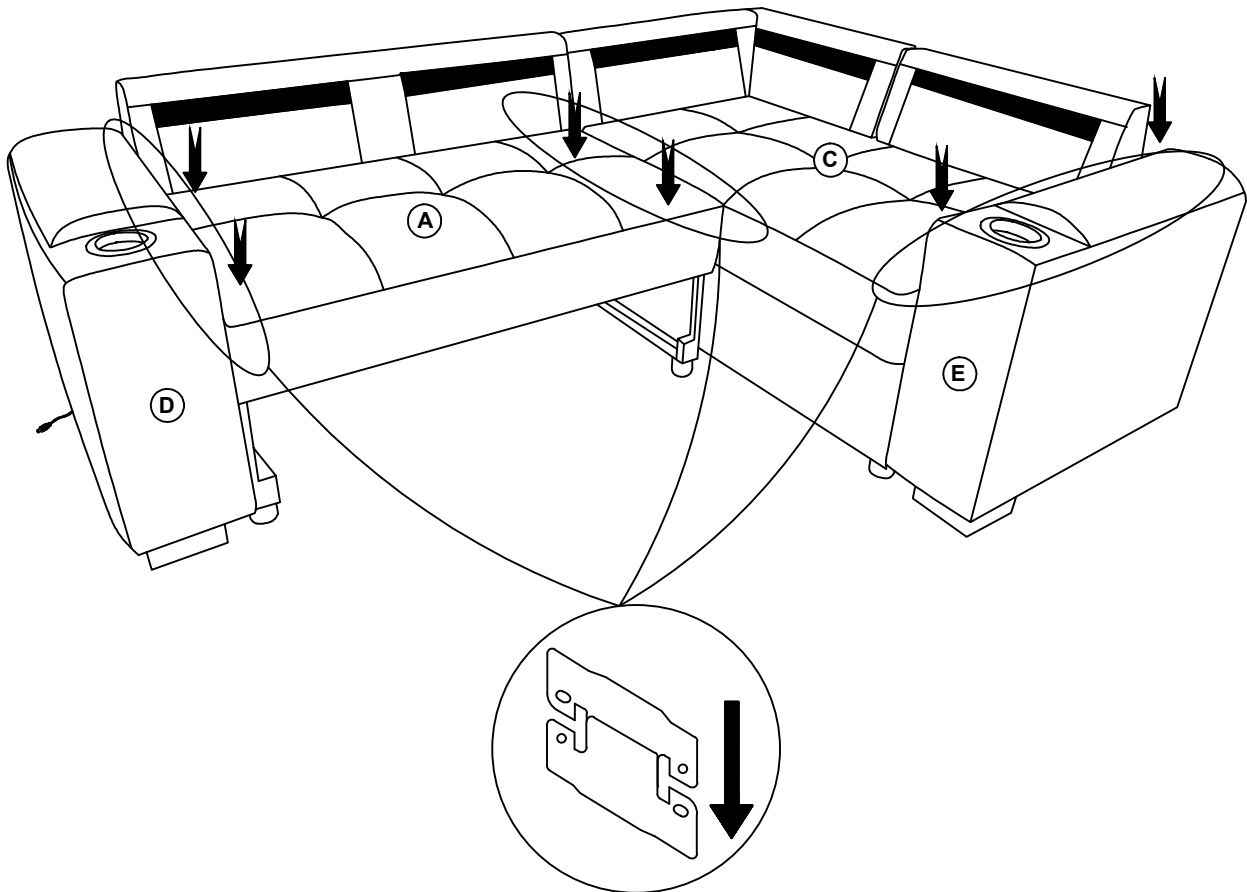
Step 4:



ASSEMBLY INSTRUCTIONS

89308

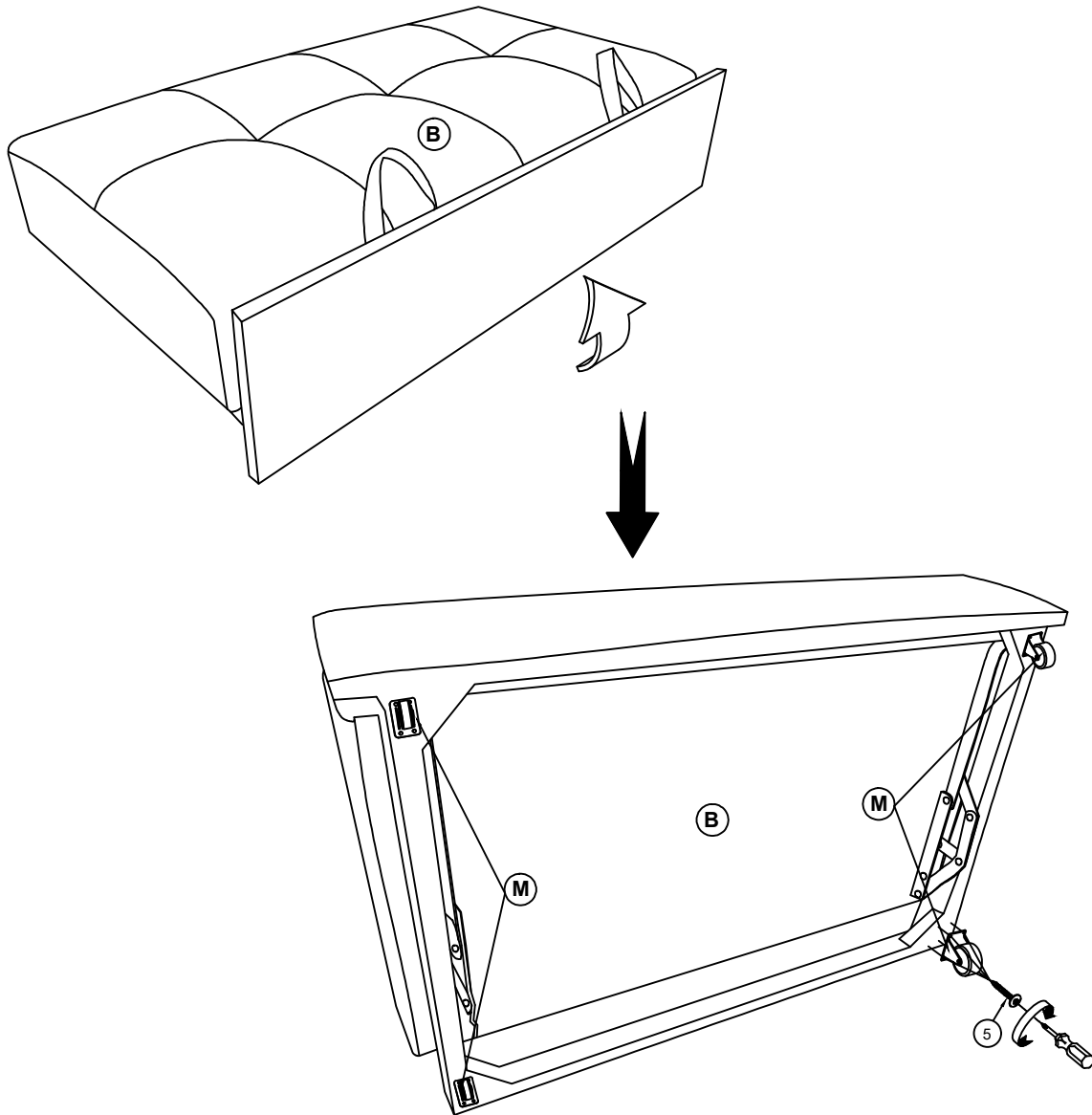
Step 5:



ASSEMBLY INSTRUCTIONS

89308

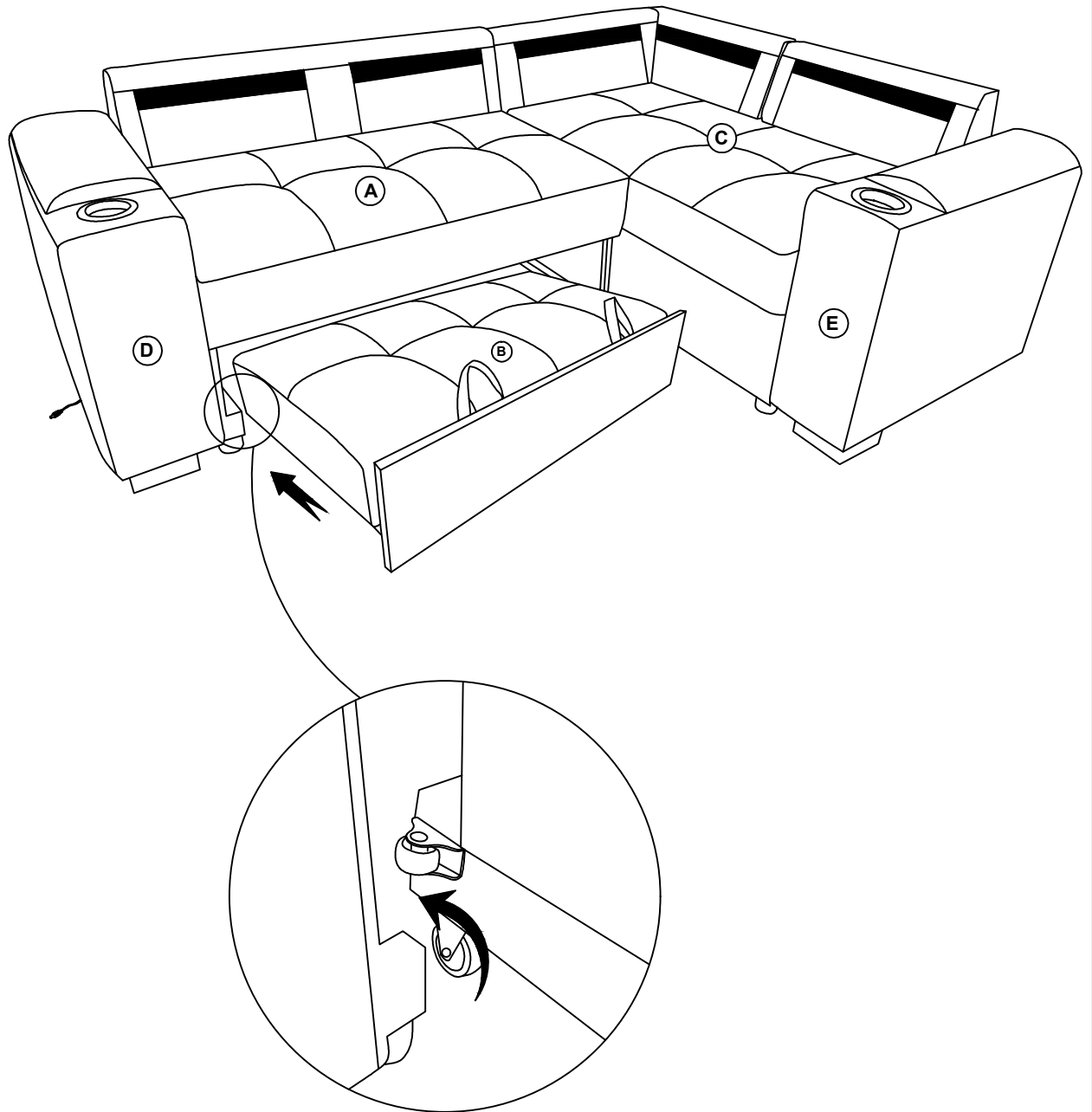
Step 6:



ASSEMBLY INSTRUCTIONS

89308

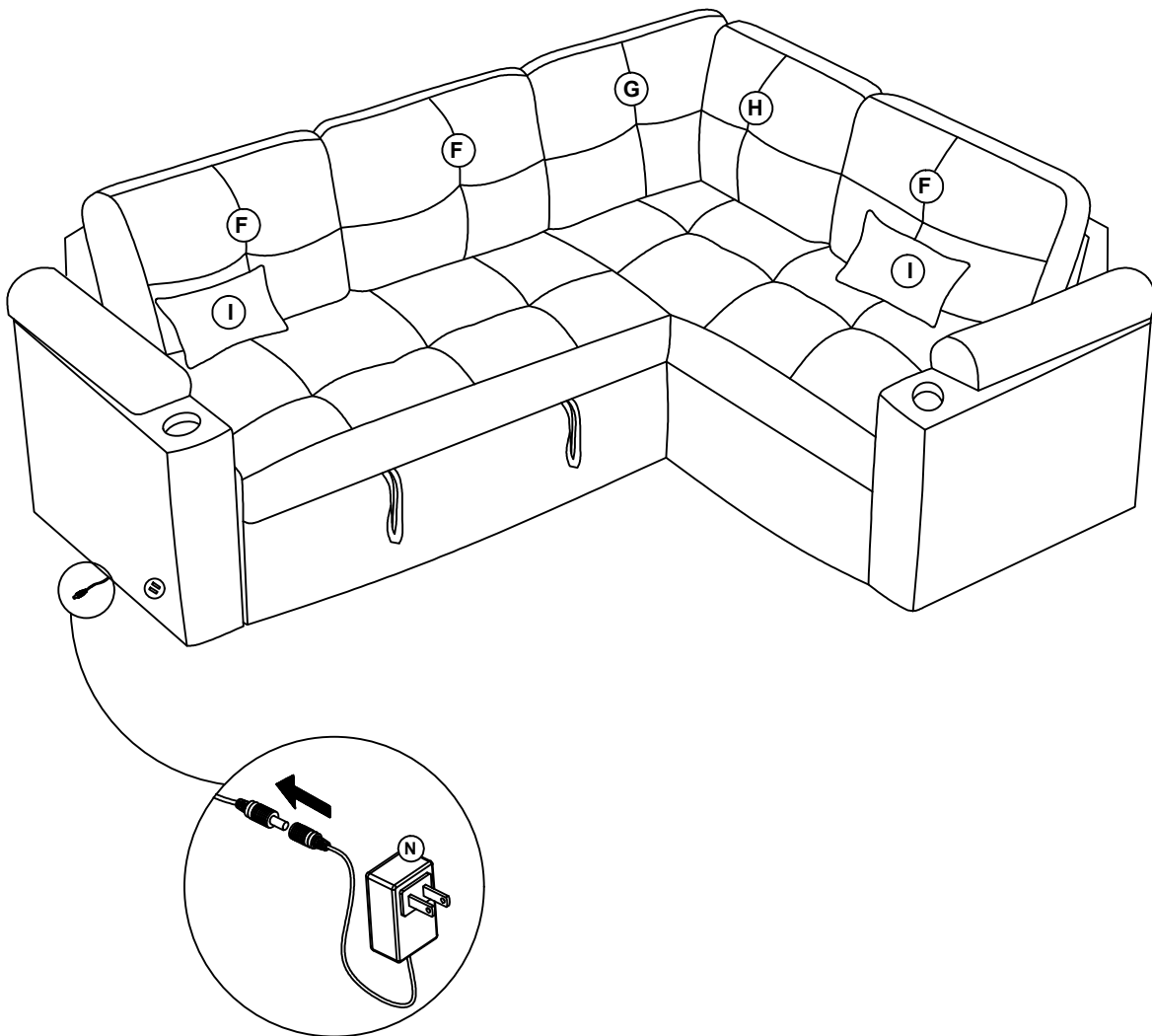
Step 7:



ASSEMBLY INSTRUCTIONS

89308

Step 8:



ASSEMBLY INSTRUCTIONS

89308

Step 9:
Complete

