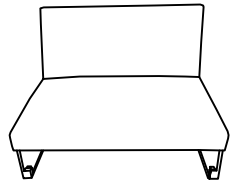


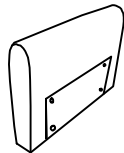
ASSEMBLY INSTRUCTION

PARTS LIST:

① 1 PC



② 2 PCS



③ 4 PCS



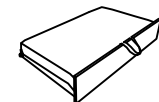
④ 4 PCS



⑤ 2 PCS



⑥ 1 PC

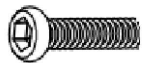


HARDWARE LIST:

A M8*60MM 8PCS

B M6*20MM 16PCS

C M8*22MM 8PCS

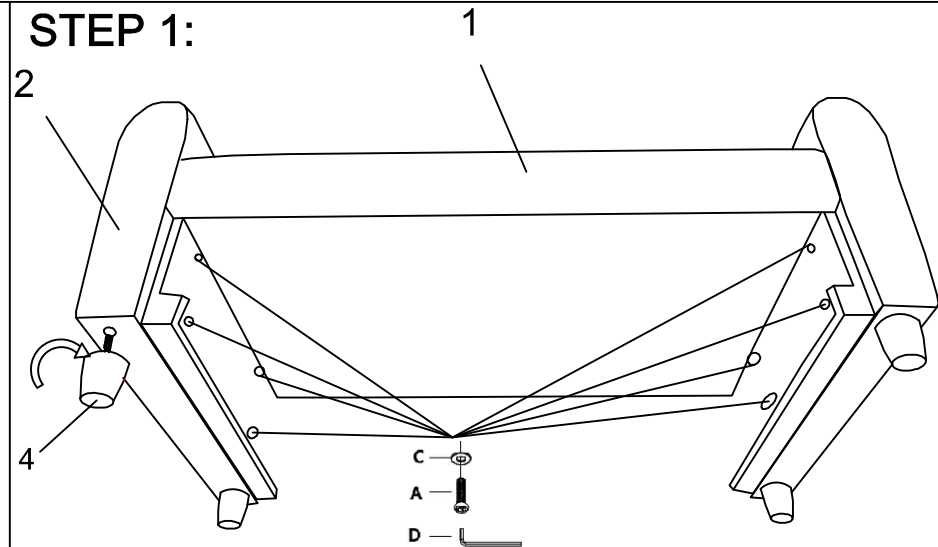


D Allen Key M5-1pc

E Allen Key M4-1pc

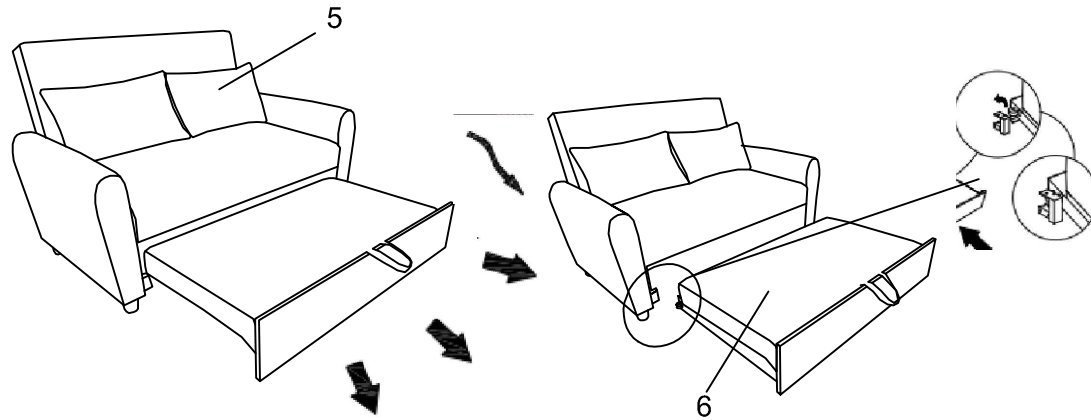


STEP 1:

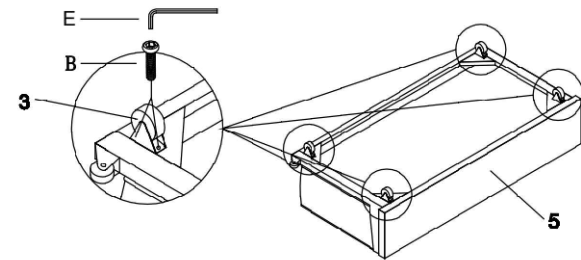


ASSEMBLY INSTRUCTION

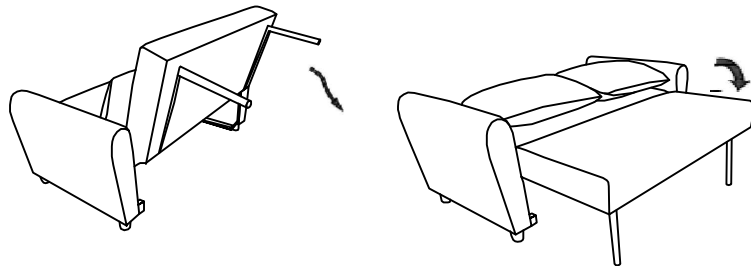
STEP 2:



STEP 3:



STEP 4:



STEP 5:

