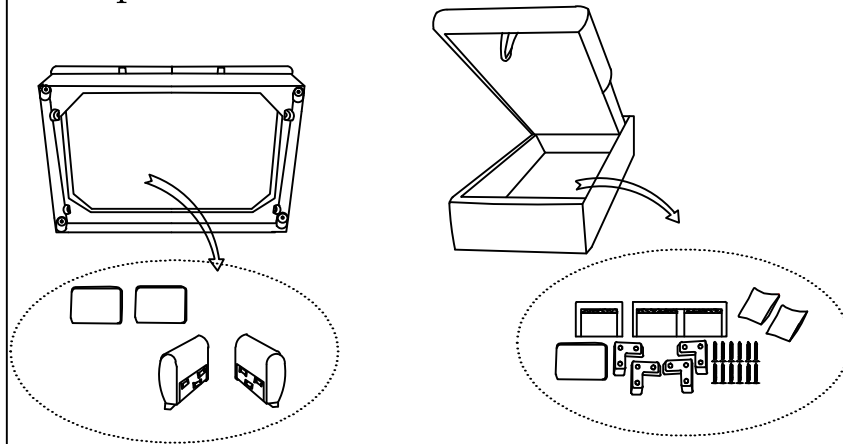
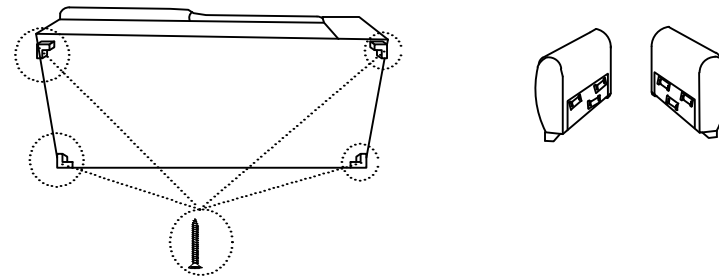


# ASSEMBLY INSTRUCTION

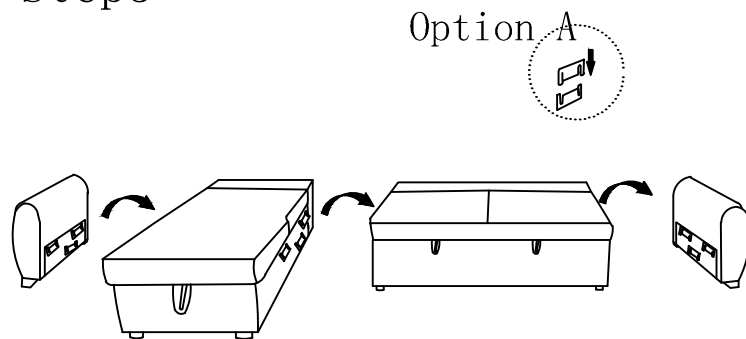
step1



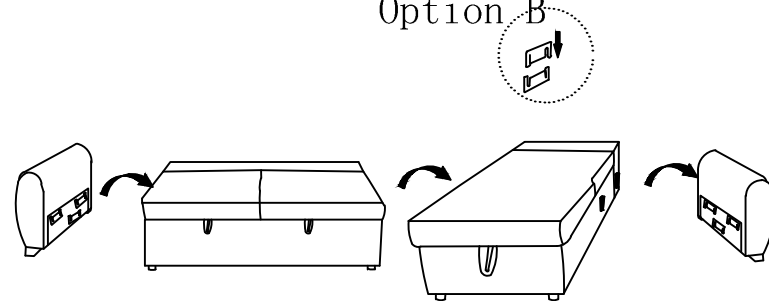
step2



step3

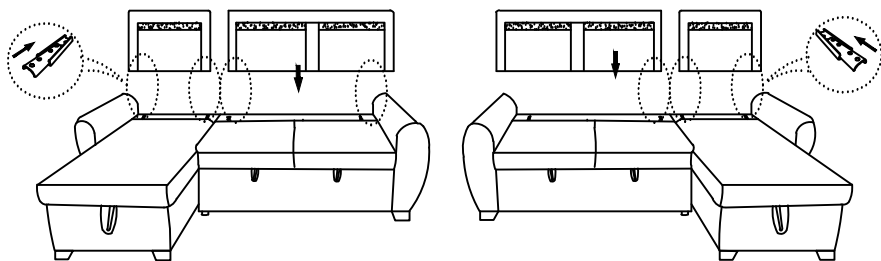


Option B

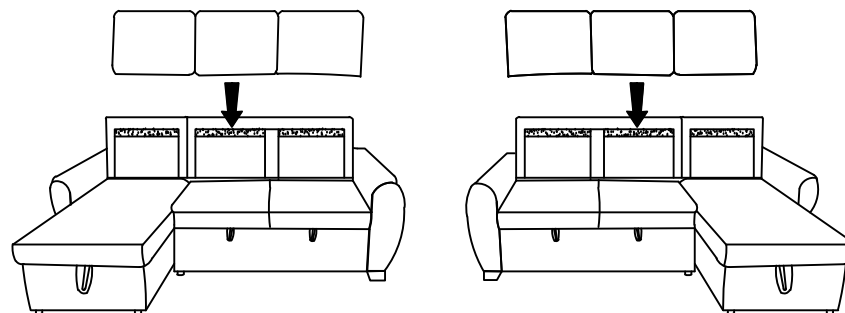


# ASSEMBLY INSTRUCTION

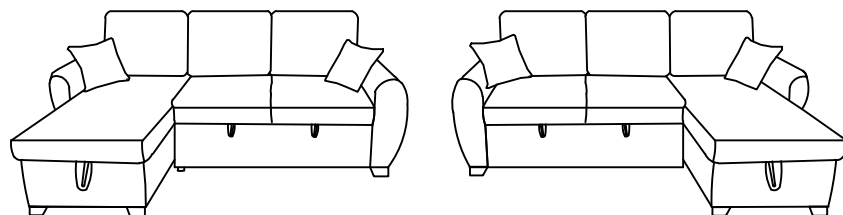
step4



step5



step6



step7

