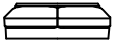
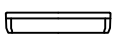


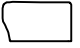








Assembly Instruction

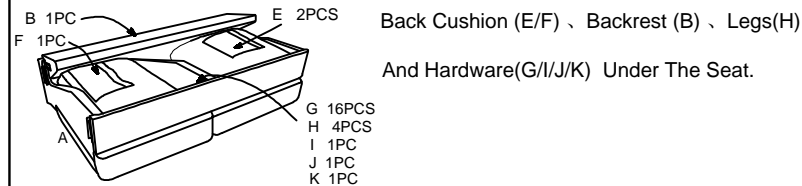
Item No: 89730-S

ASSEMBLY PARTS DESC.		Chair	ASSEMBLY PARTS DESC.		Chair
A	 Seat	1pc	B	 Backrest	1pc
C	 Lsf Armrest	1pc	D	 Rsf Armrest	1pc
E	 Lsf Back Cushion	1pc	F	 Rsf Back Cushion	1pc
G	 JCBC Bolt M6*20mm	16pcs	H	 Leg	4pcs
I	 Washer	1pc	J	 Allen Key	1pc
K	 Middle leg	1pc			

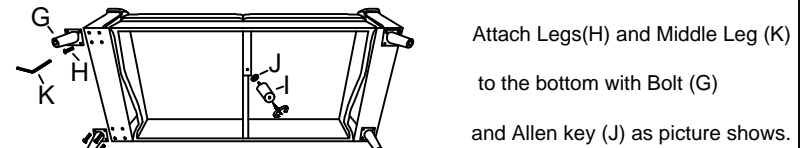


- Do not use power tools.
- Do not over-tight.
- Keep the packing materials and small parts out of reach of children.

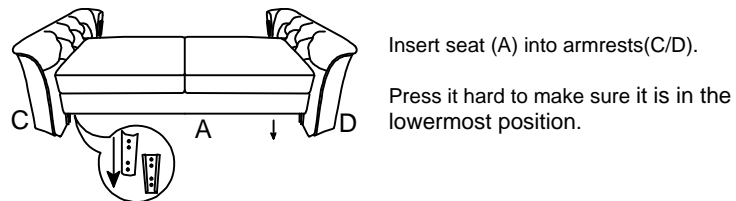
Step1.



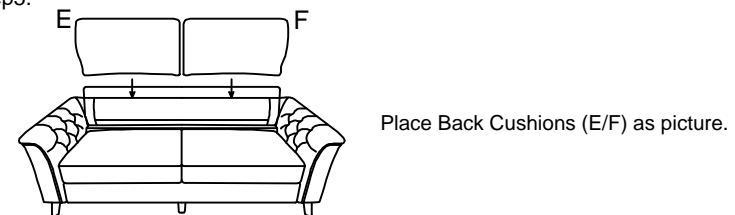
Step4.



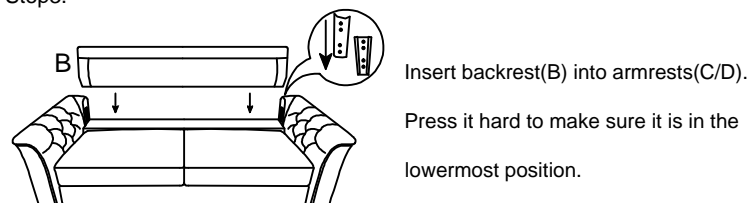
Step2.



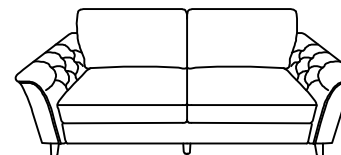
Step5.



Step3.



Completed



FOR LEATHER AND P.U (Code"X")

Clean by lightly brushing and vacuuming only to remove dust and particles buildup. Water-based foam cleaner or solvent based cleaning agents of any kind may cause excessive shrinking, staining or distortion of the surface pile and, therefore, should not be used.

FOR FABRIC (Code"WW")

- Use water-based agents only.
- Do not use solvents.
- Gently remove stains by blotting or hang washing.
- Do not use excessive brushing or rubbing.