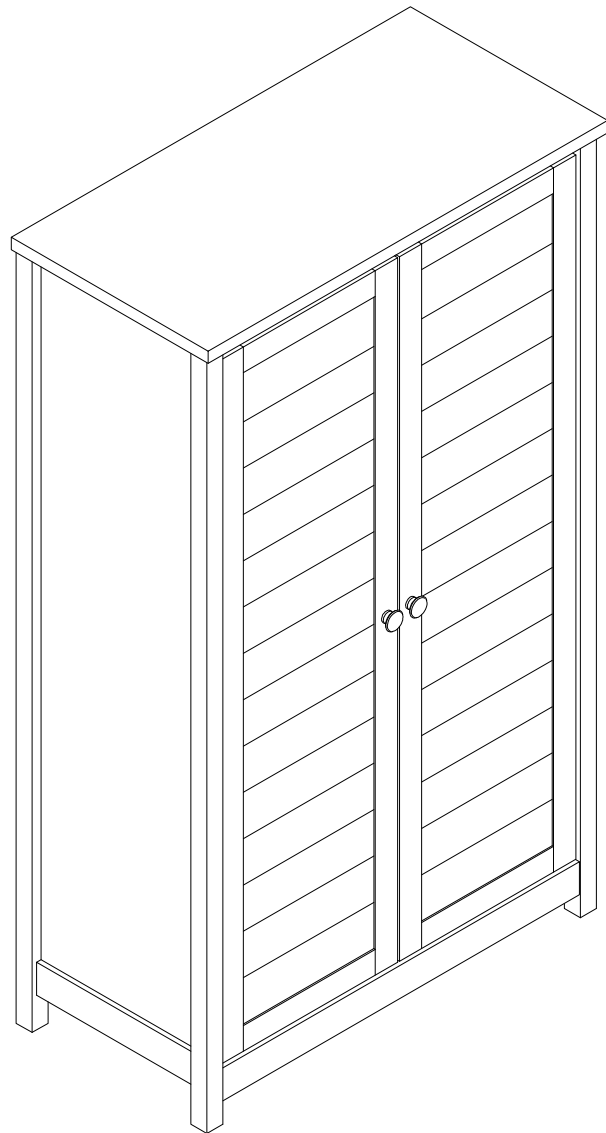
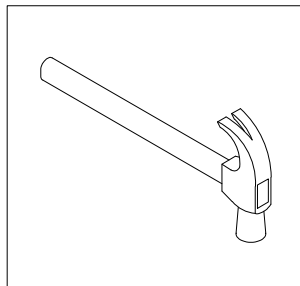
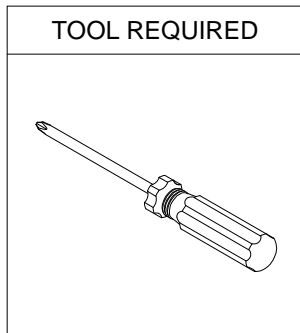


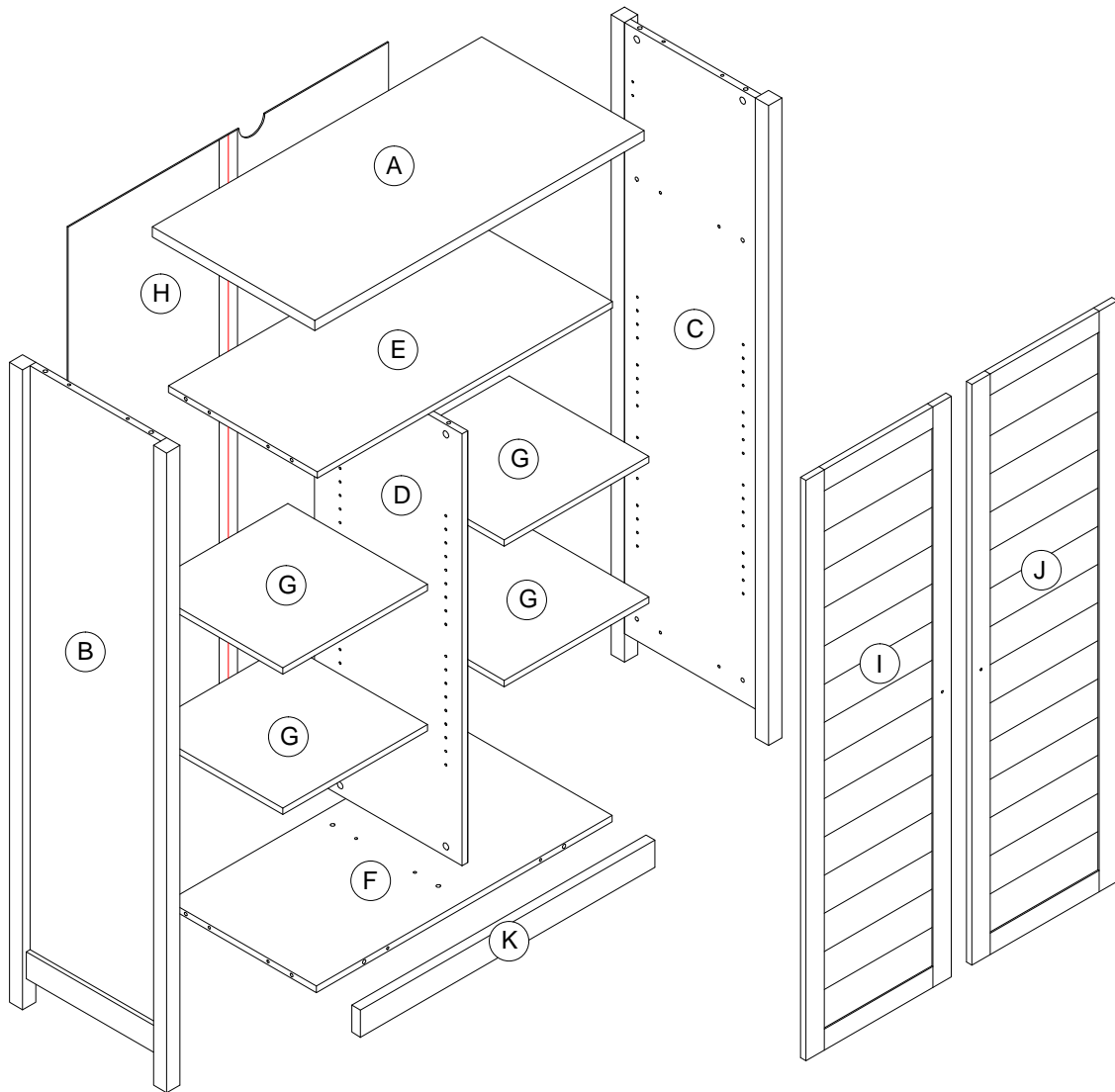
# Assembly Instruction

Item No : 96001

Description: 2 Door Storage Cabinet



# PARTS LIST



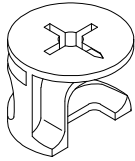
A	TOP PANEL (1)	E	FIXED SHELF (1)	I	LEFT DOOR (1)
B	LEFT SIDE PANEL (1)	F	BOTTOM PANEL (1)	J	RIGHT DOOR (1)
C	RIGHT SIDE PANEL (1)	G	ADJUSTABLE SHELF (4)	K	FRONT MOULDING (1)
D	CENTER PANEL (1)	H	BACK PANEL (1)		

## USEFUL HINTS BEFORE YOU START:

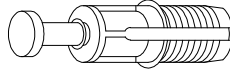
1. Read each step carefully before starting.
2. It is important that each step is performed in correct order to avoid difficulties.
3. Identify, soft and count the parts before assembly.
4. Assemble your furniture on packaging cardboard to prevent scratch or damage.
5. Clean the product with mild cleanser using soft damped cloth. Do not use harsh or abrasive cleanser.
6. Using incompatible hardware might cause damage to product.

# HARDWARE LIST

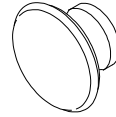
1 HIDDEN CAM  
- 18



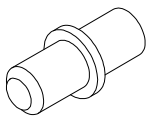
2 CAM DOWEL  
- 18



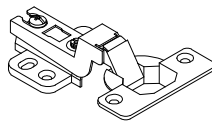
3 HANDLE - 2



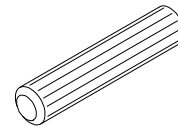
4 METAL PIN - 16



5 HINGE - 6



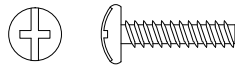
6 WOOD DOWEL - 18



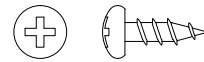
7 1/2" FLAT HEAD  
SCREW - 16



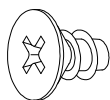
8 3/4" MACHINE  
SCREW - 2



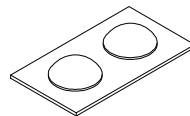
9 1/2" PAN HEAD  
SCREW - 4



10 3/8" FLAT HEAD  
SCREW - 12



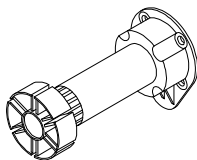
11 BUMPER CARD - 1



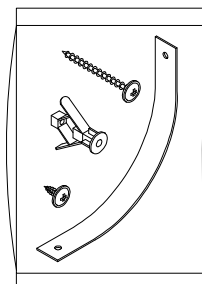
12 NAIL - 40



13 PE LEG - 1

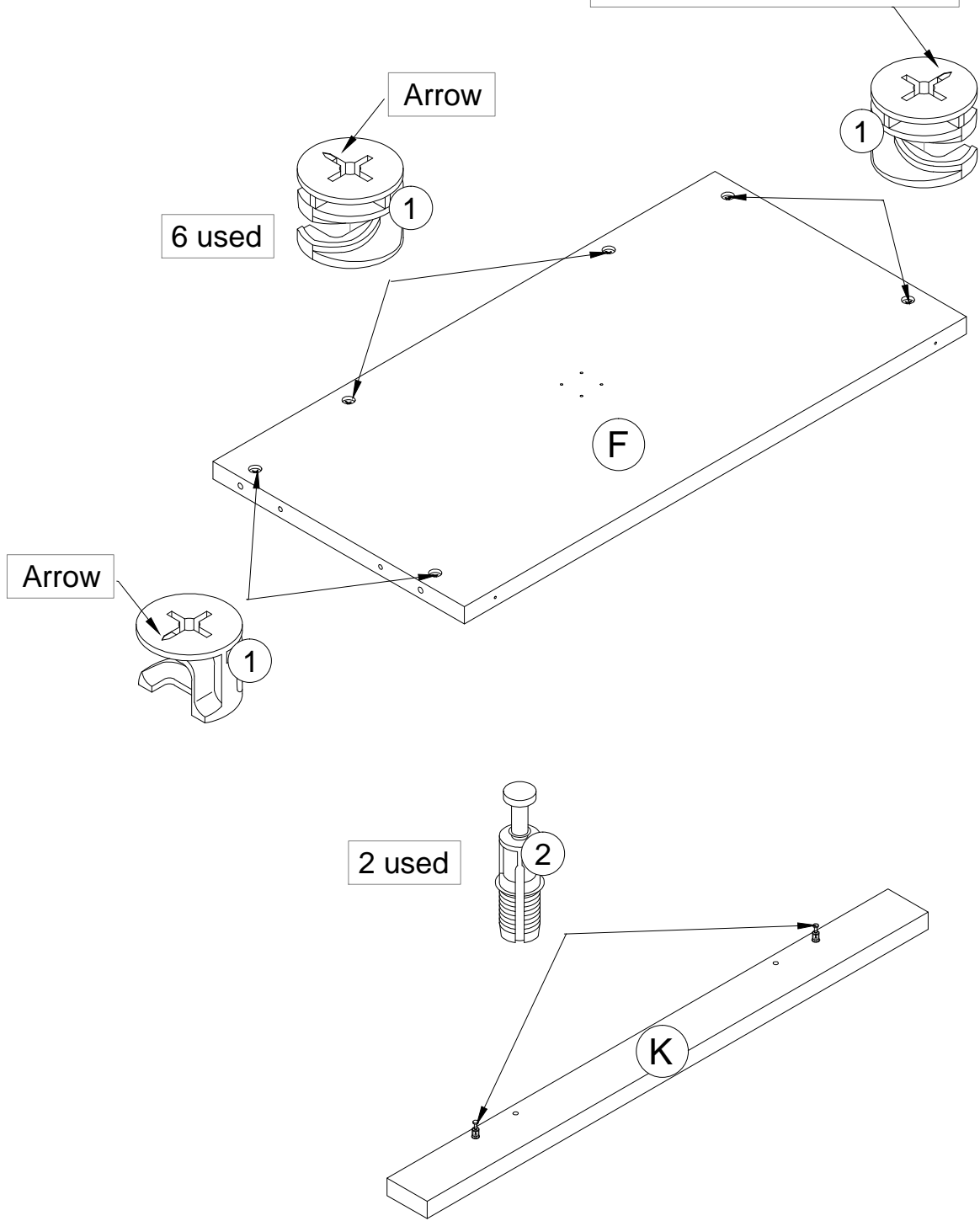


96 FURNITURE TIPPING  
RESTRAINT KIT - 1

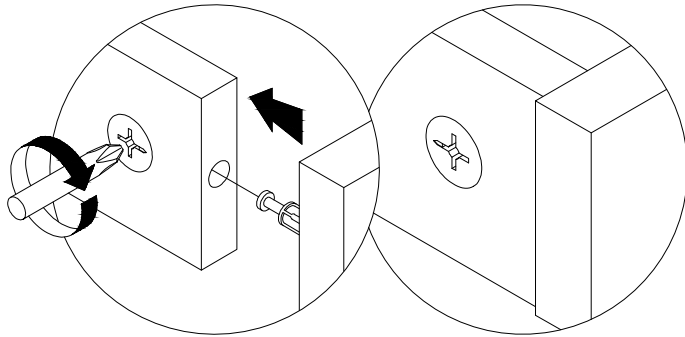


# Step 1

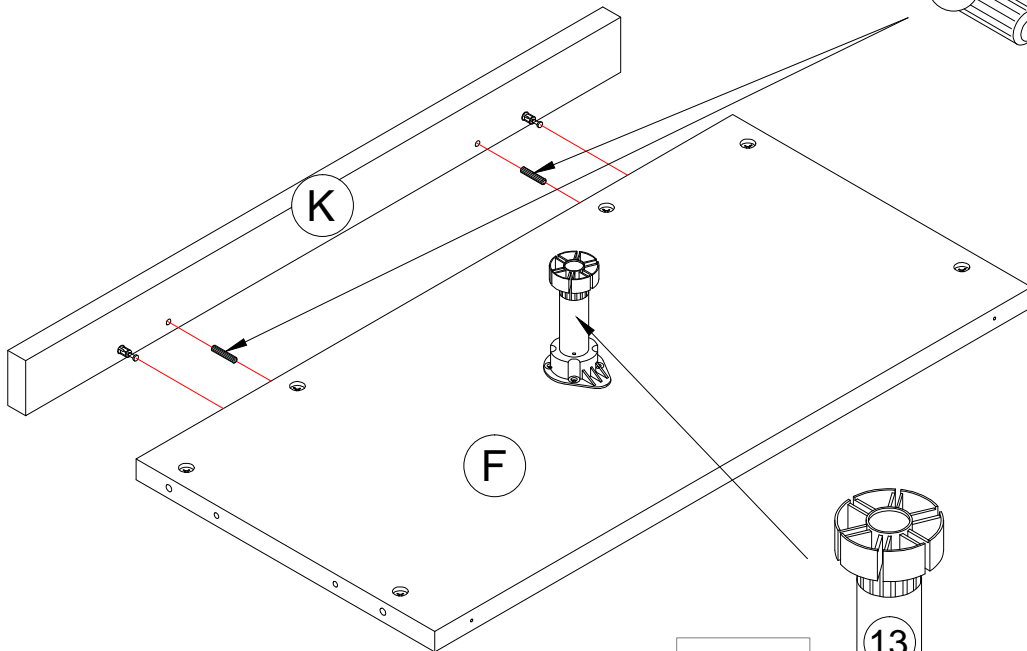
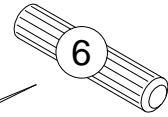
The arrow in the HIDDEN CAM must point toward the hole in the edge of the board.



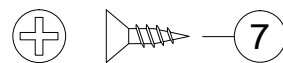
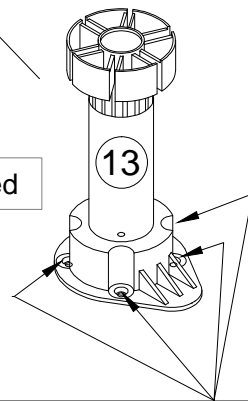
# Step 2



2 used

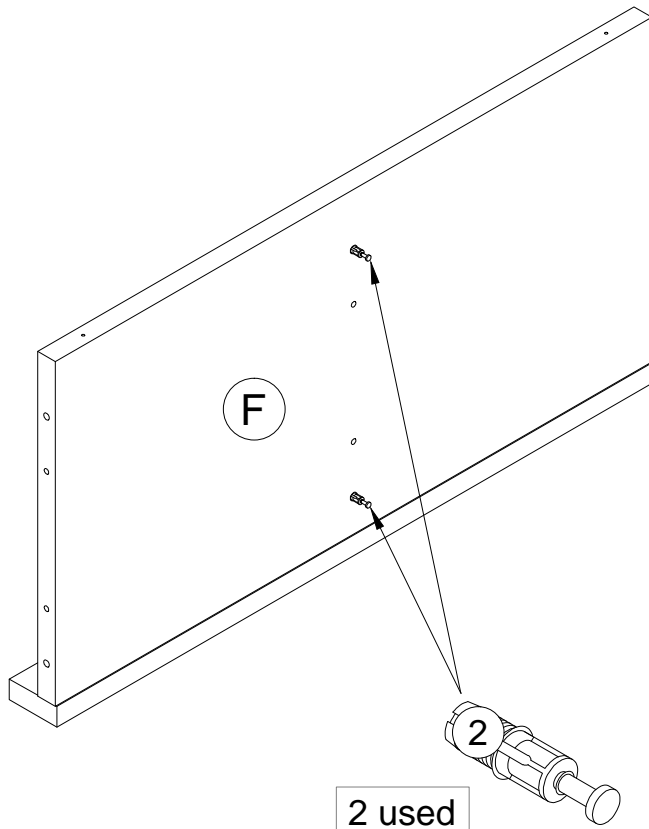


1 used

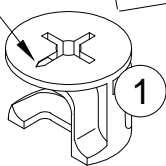
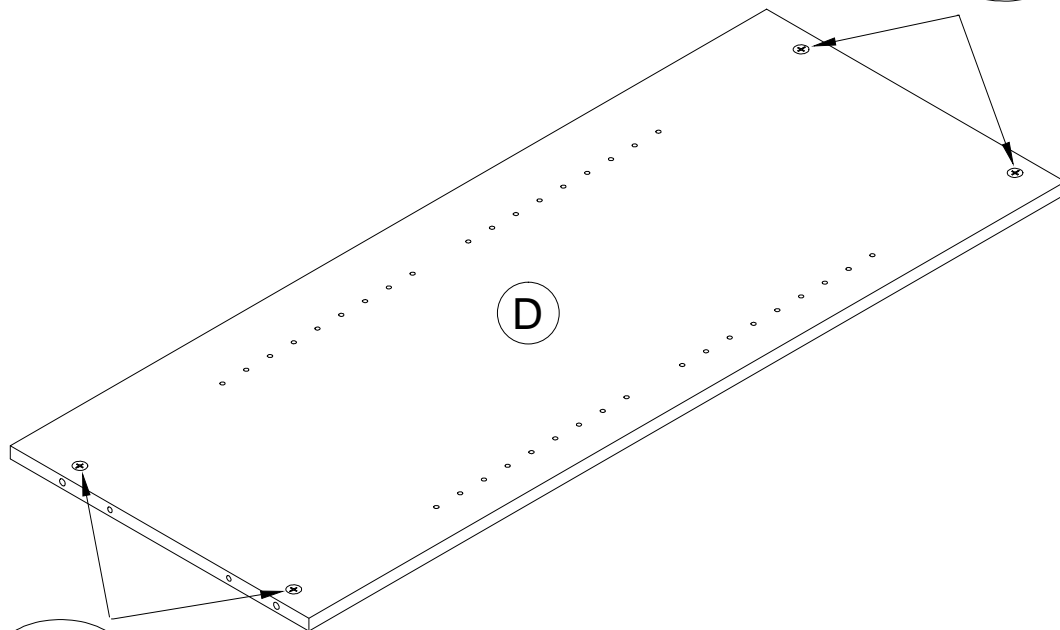
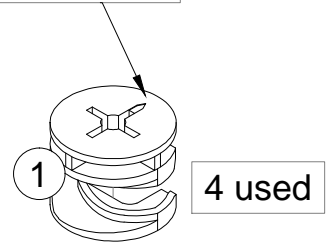


1/2" FLAT HEAD SCREW  
(4 used in this step)

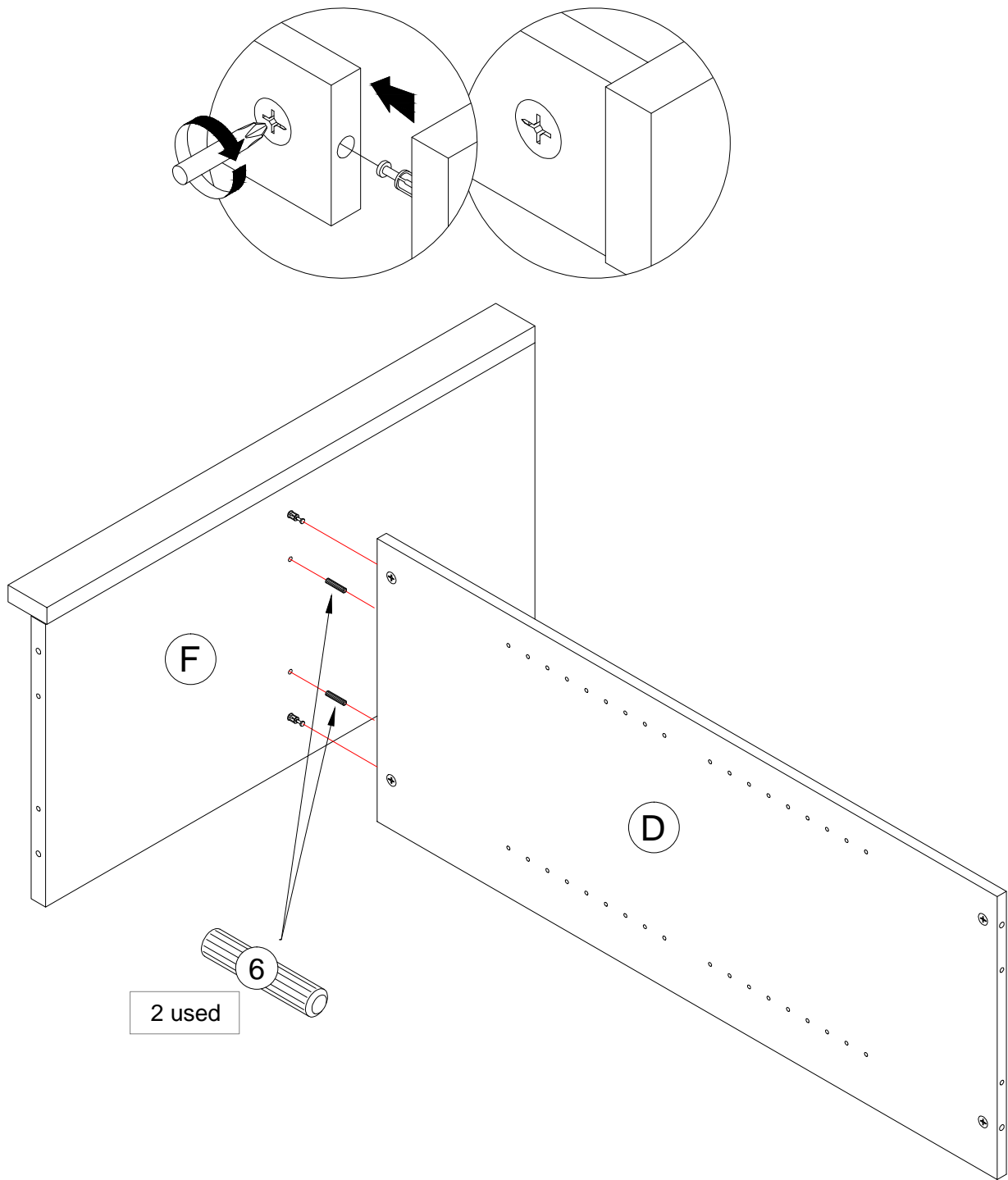
# Step 3



The arrow in the HIDDEN CAM must point toward the hole in the edge of the board.

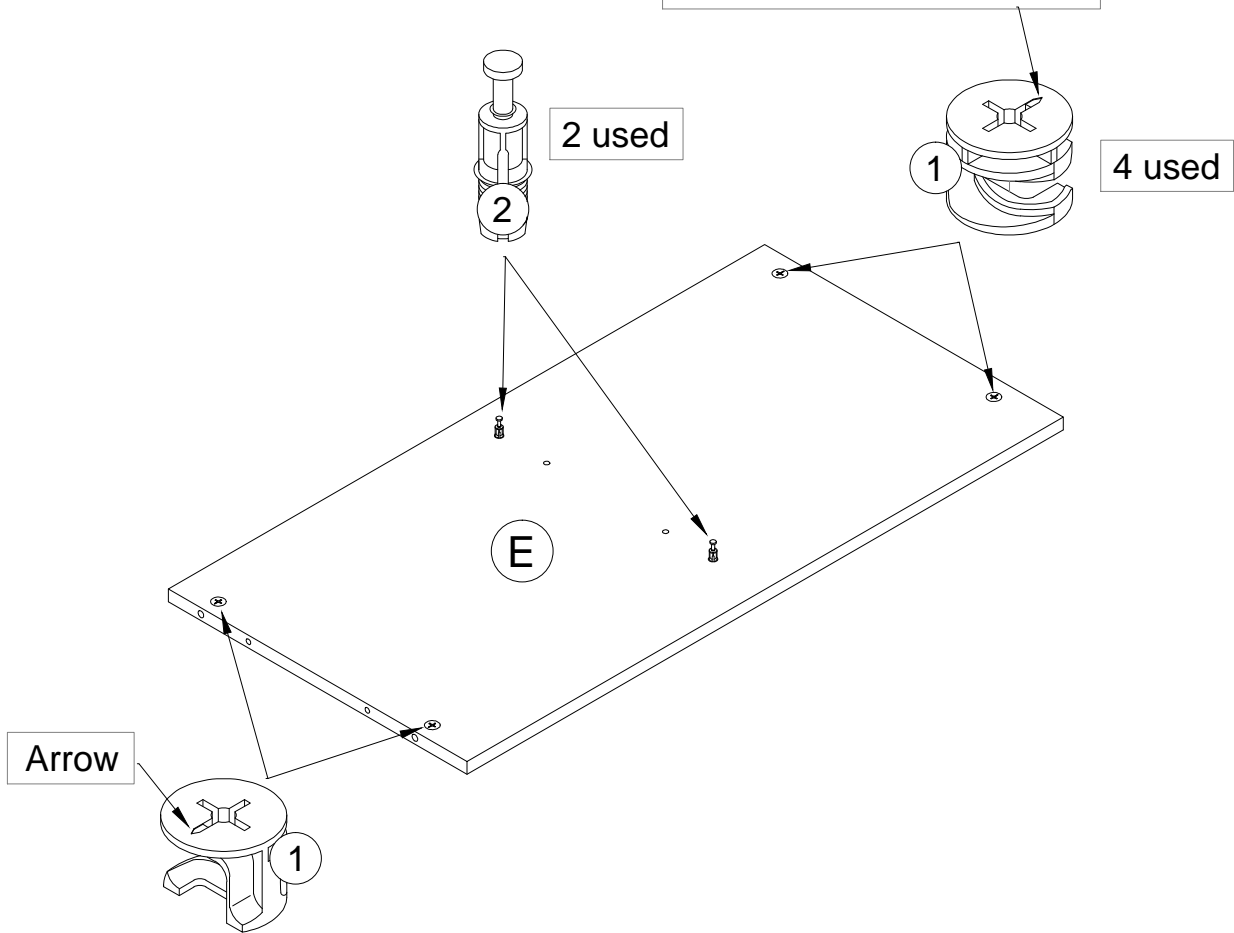


# Step 4



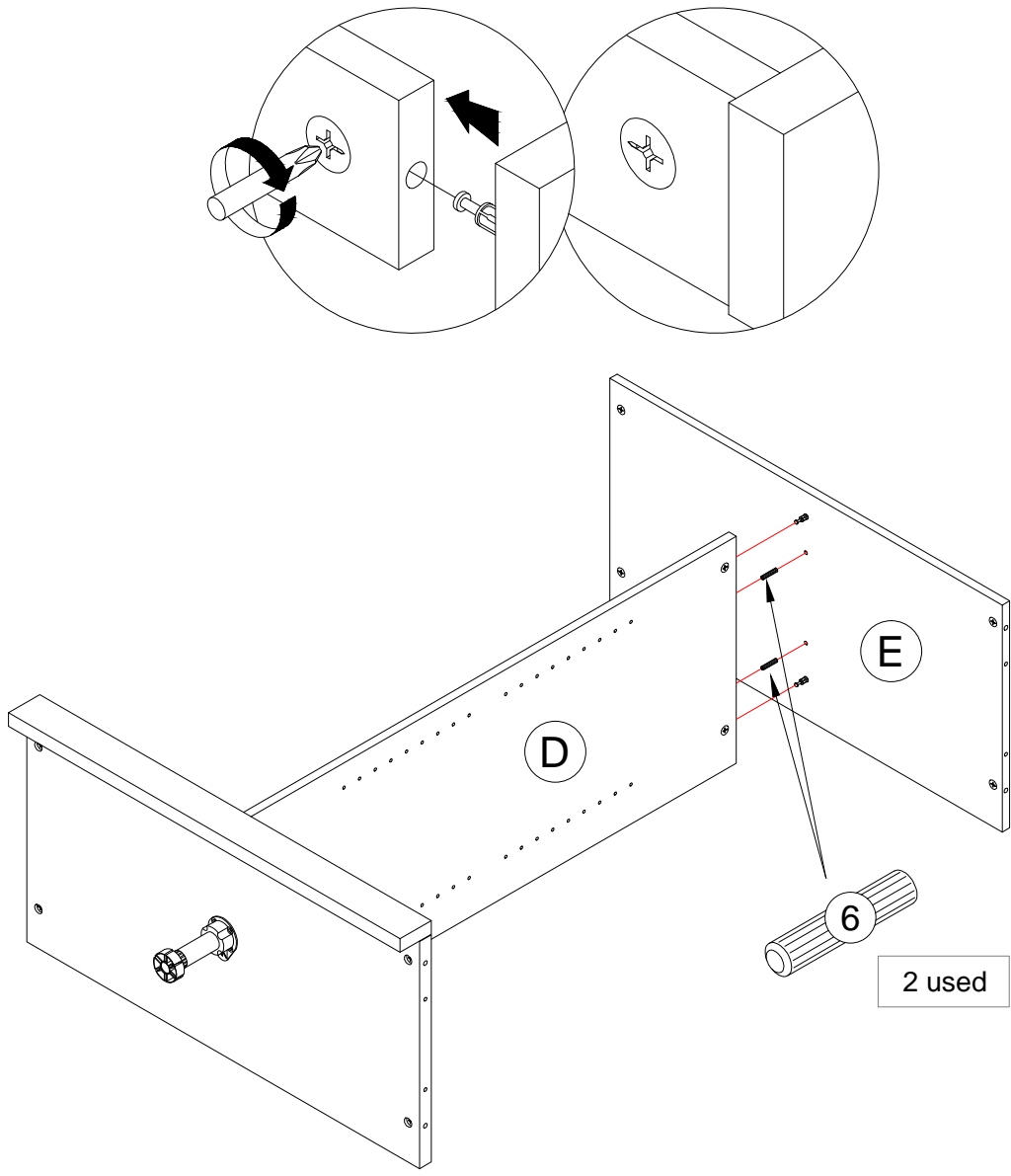
# Step 5

The arrow in the HIDDEN CAM must point toward the hole in the edge of the board.



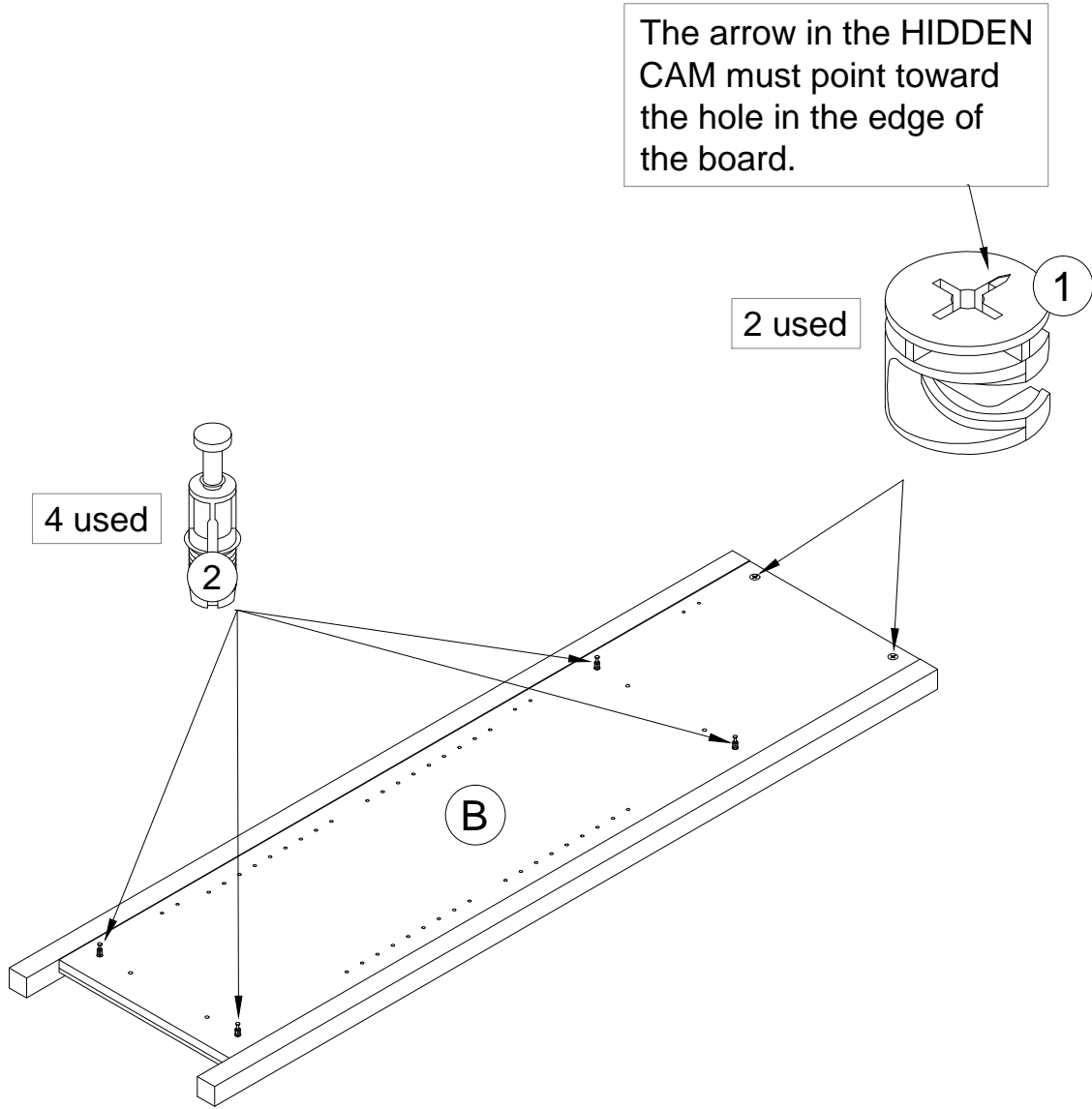


# Step 6

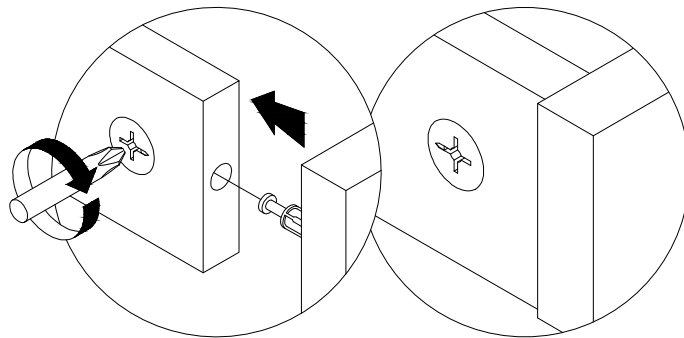


# Step 7

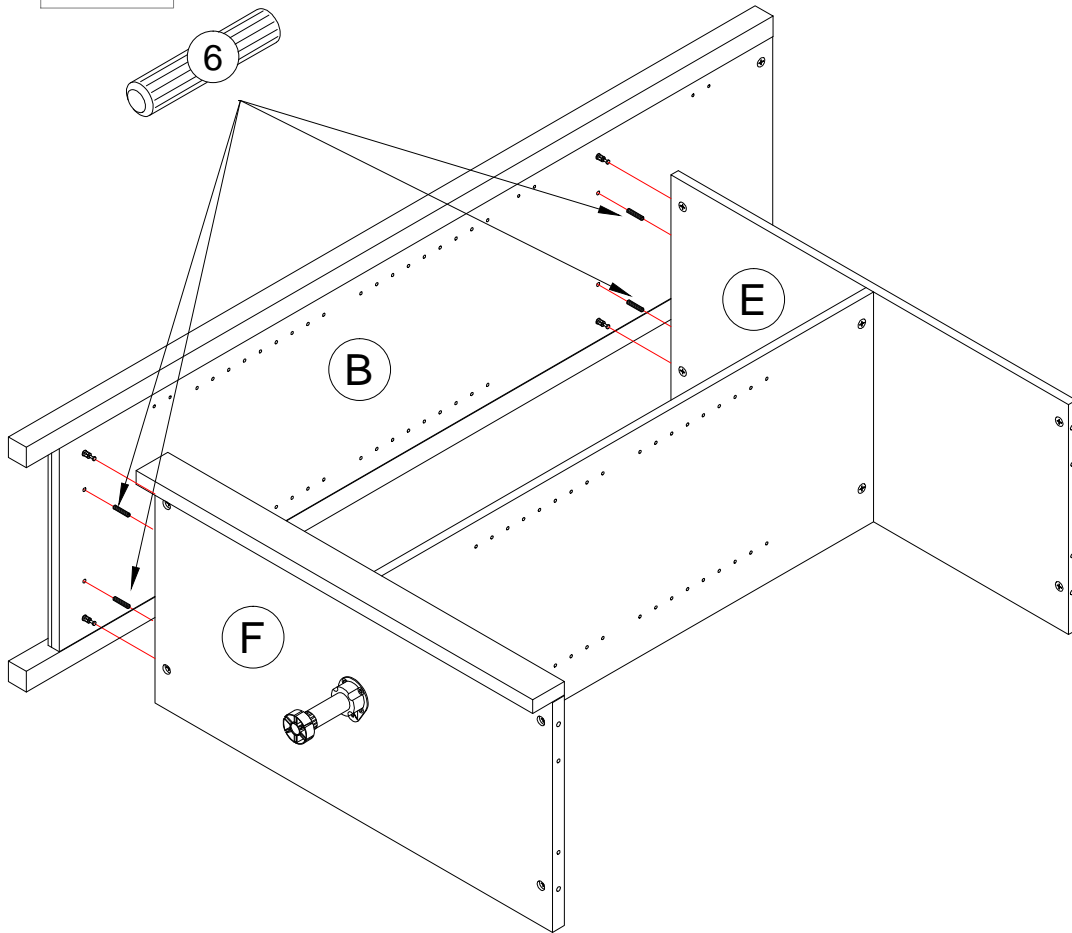
The arrow in the HIDDEN CAM must point toward the hole in the edge of the board.



# Step 8

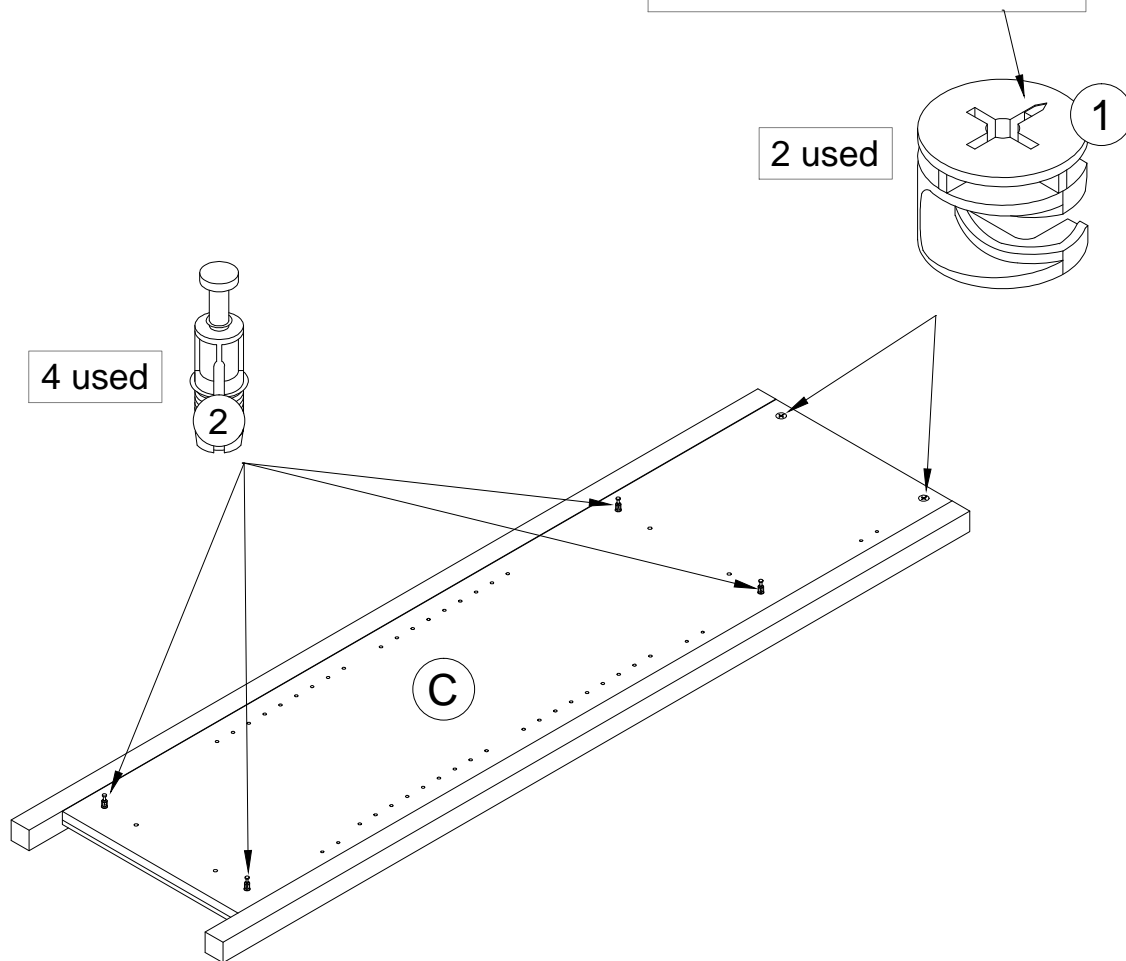


4 used

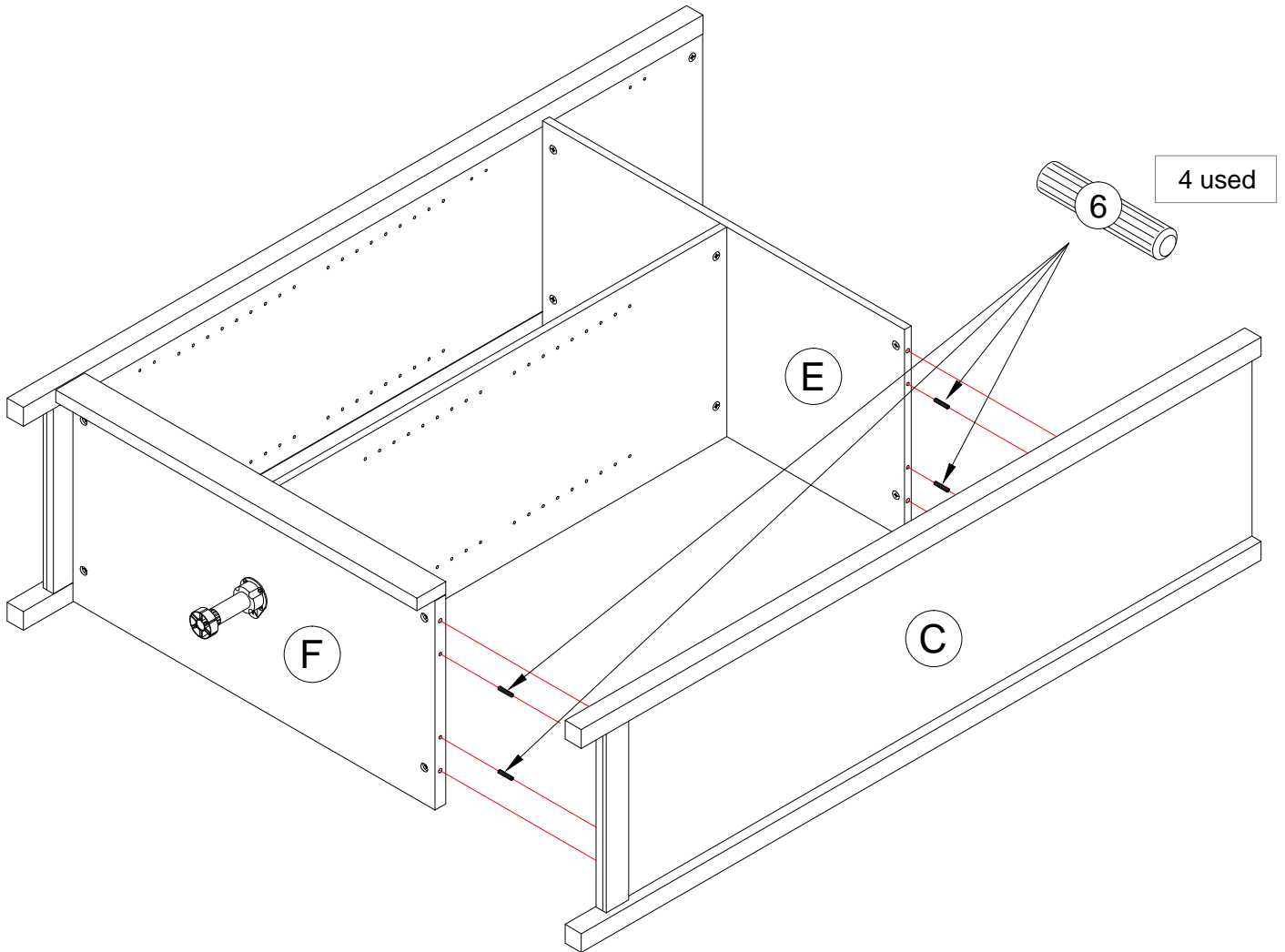
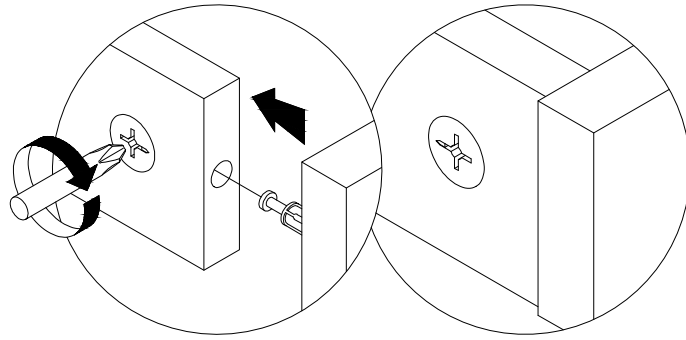


# Step 9

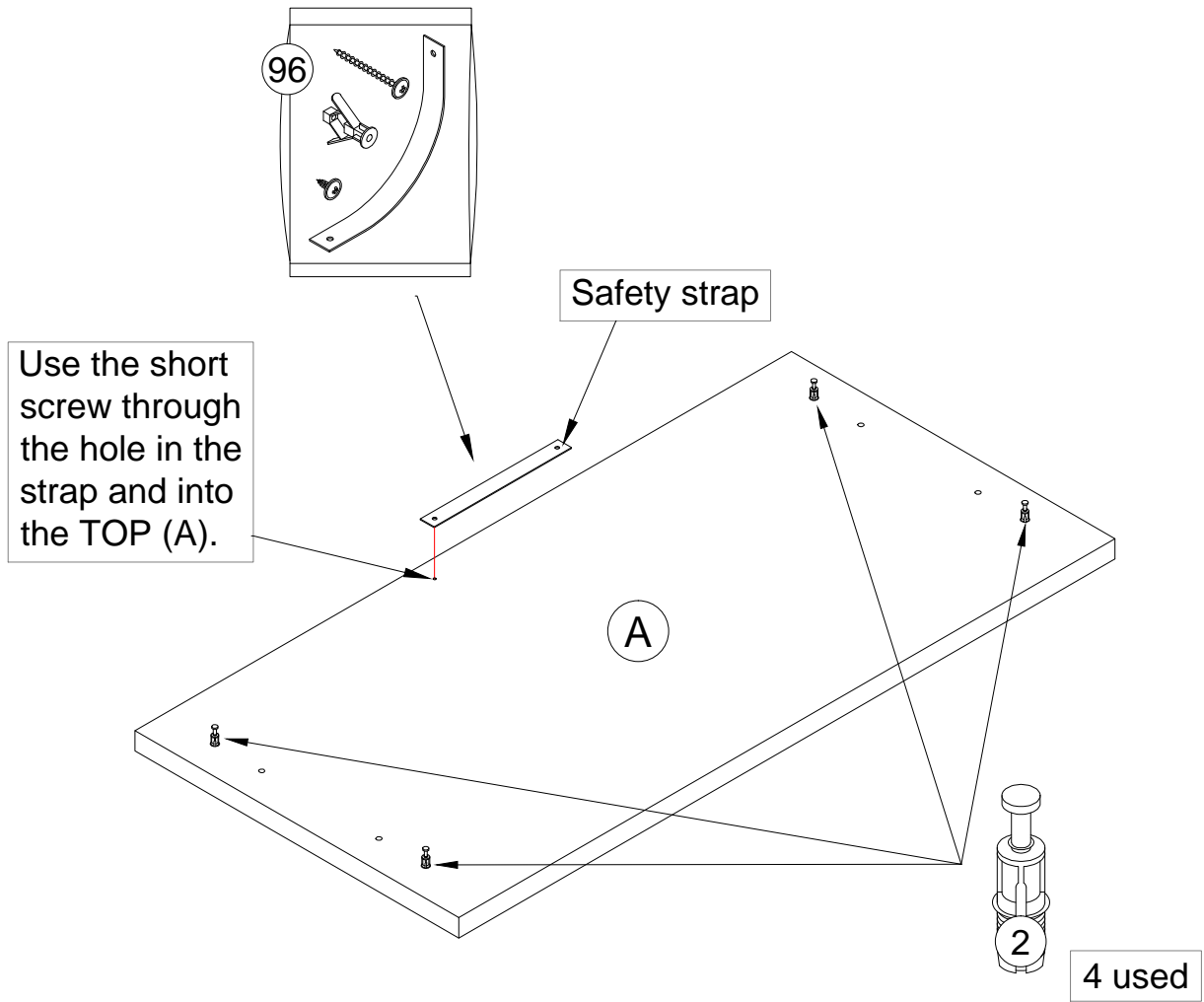
The arrow in the HIDDEN CAM must point toward the hole in the edge of the board.



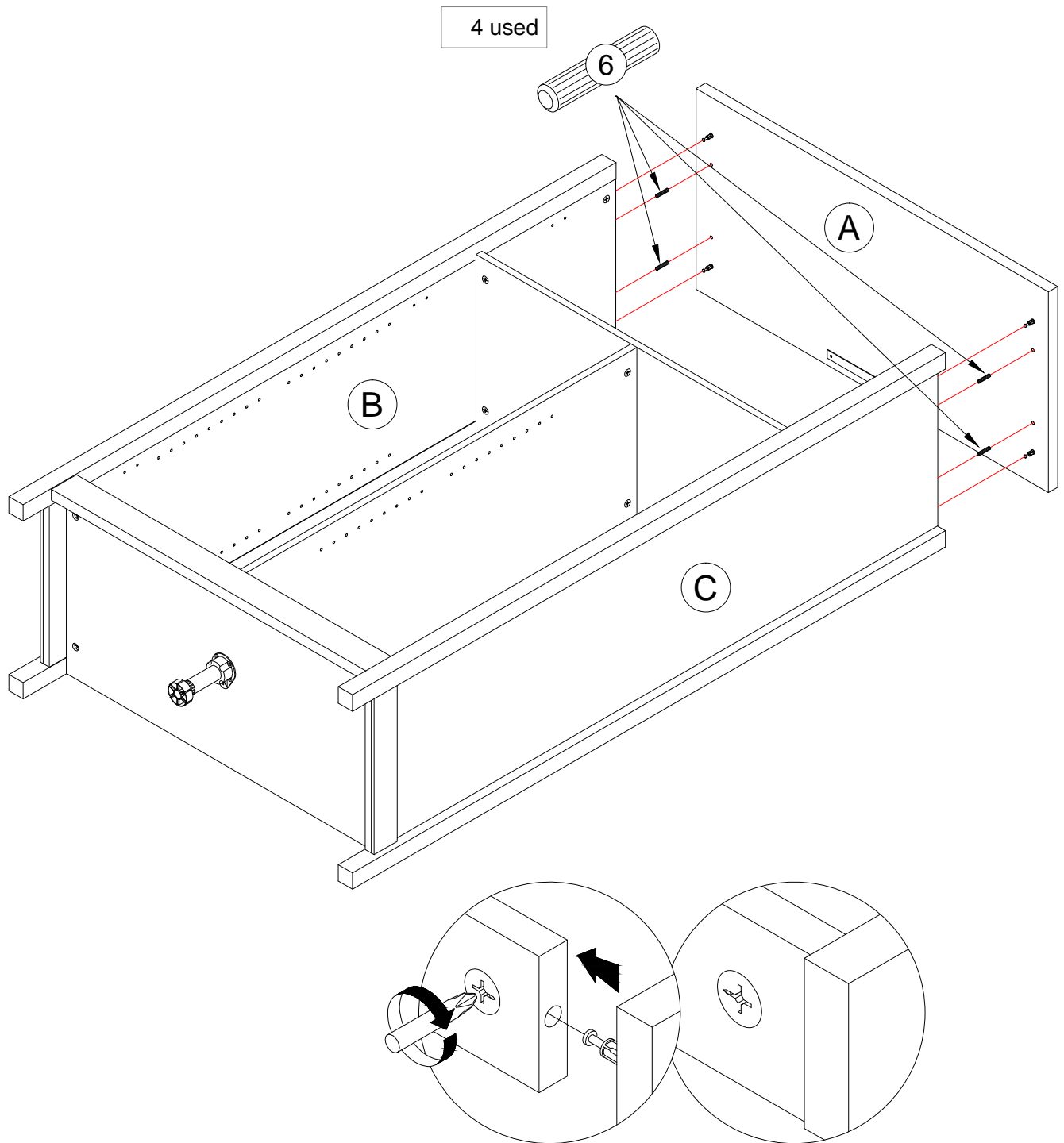
# Step 10



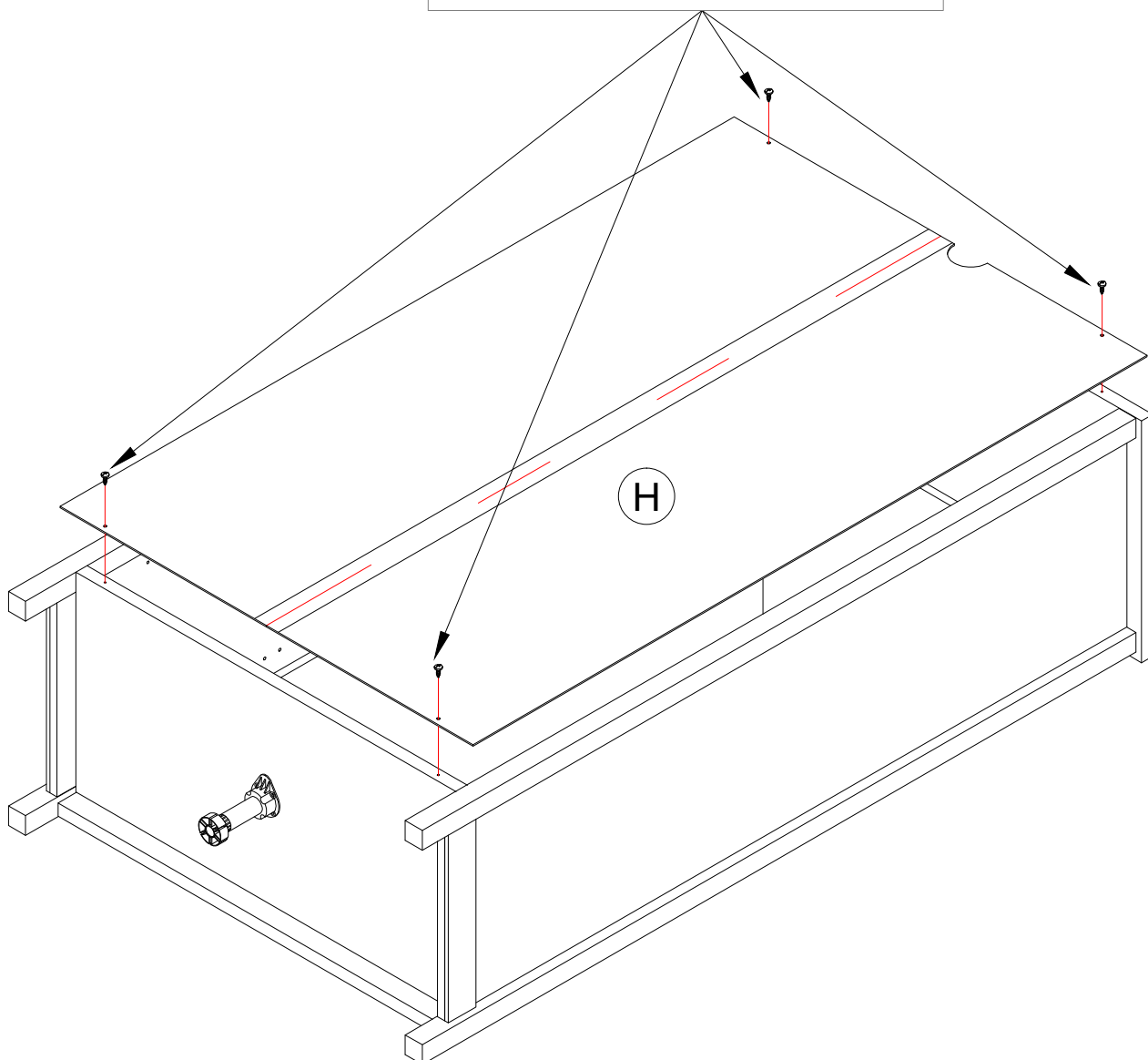
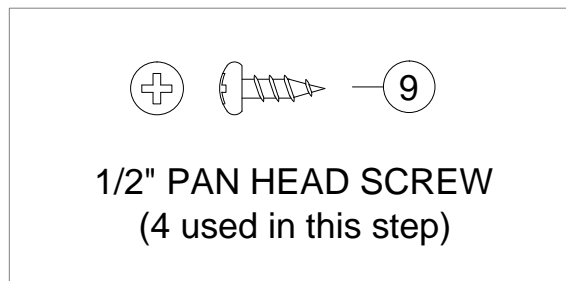
# Step 11



# Step 12



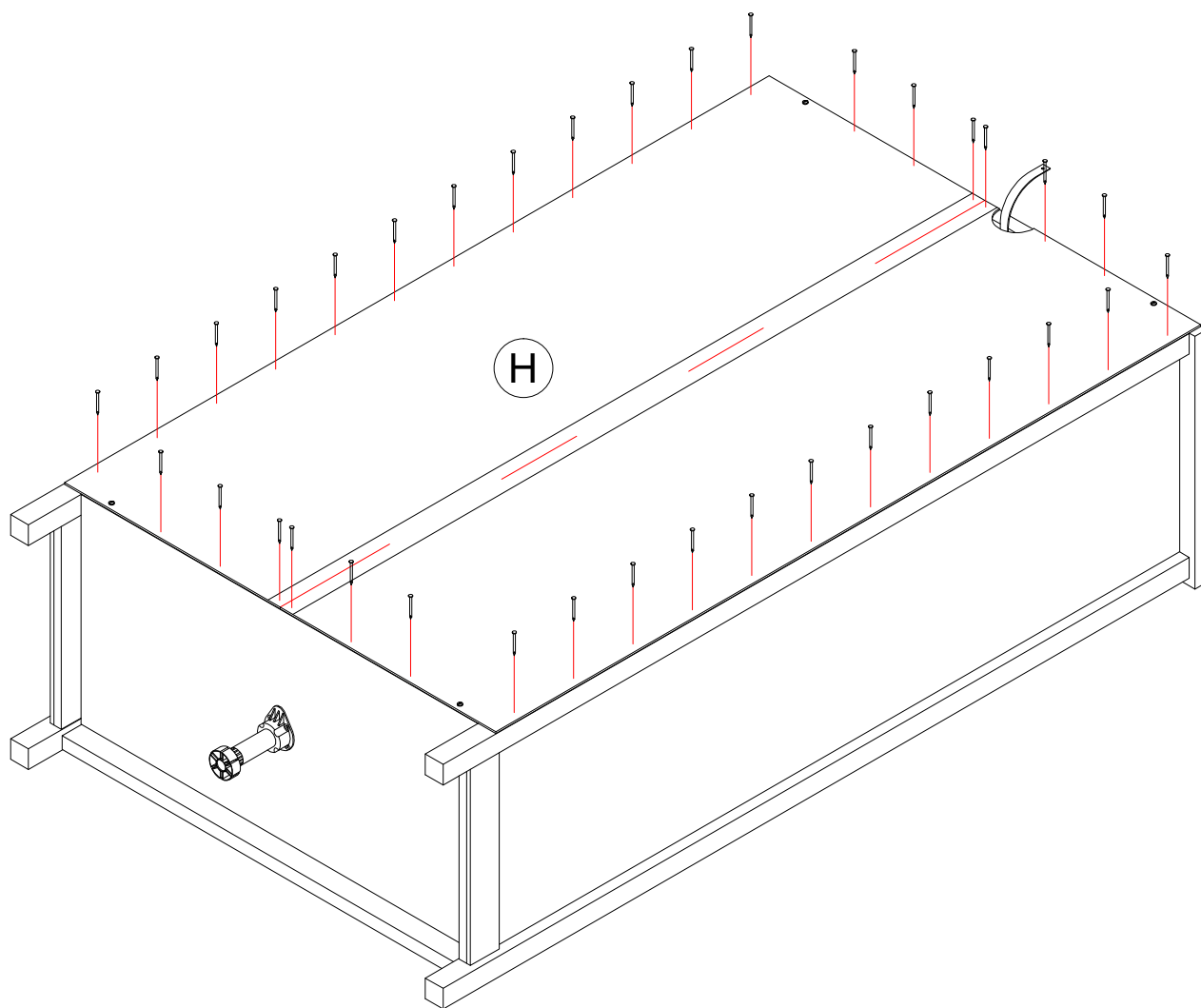
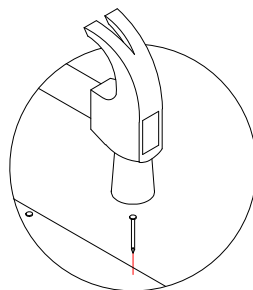
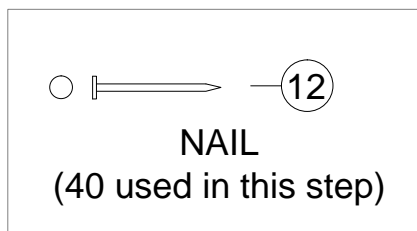
# Step 13



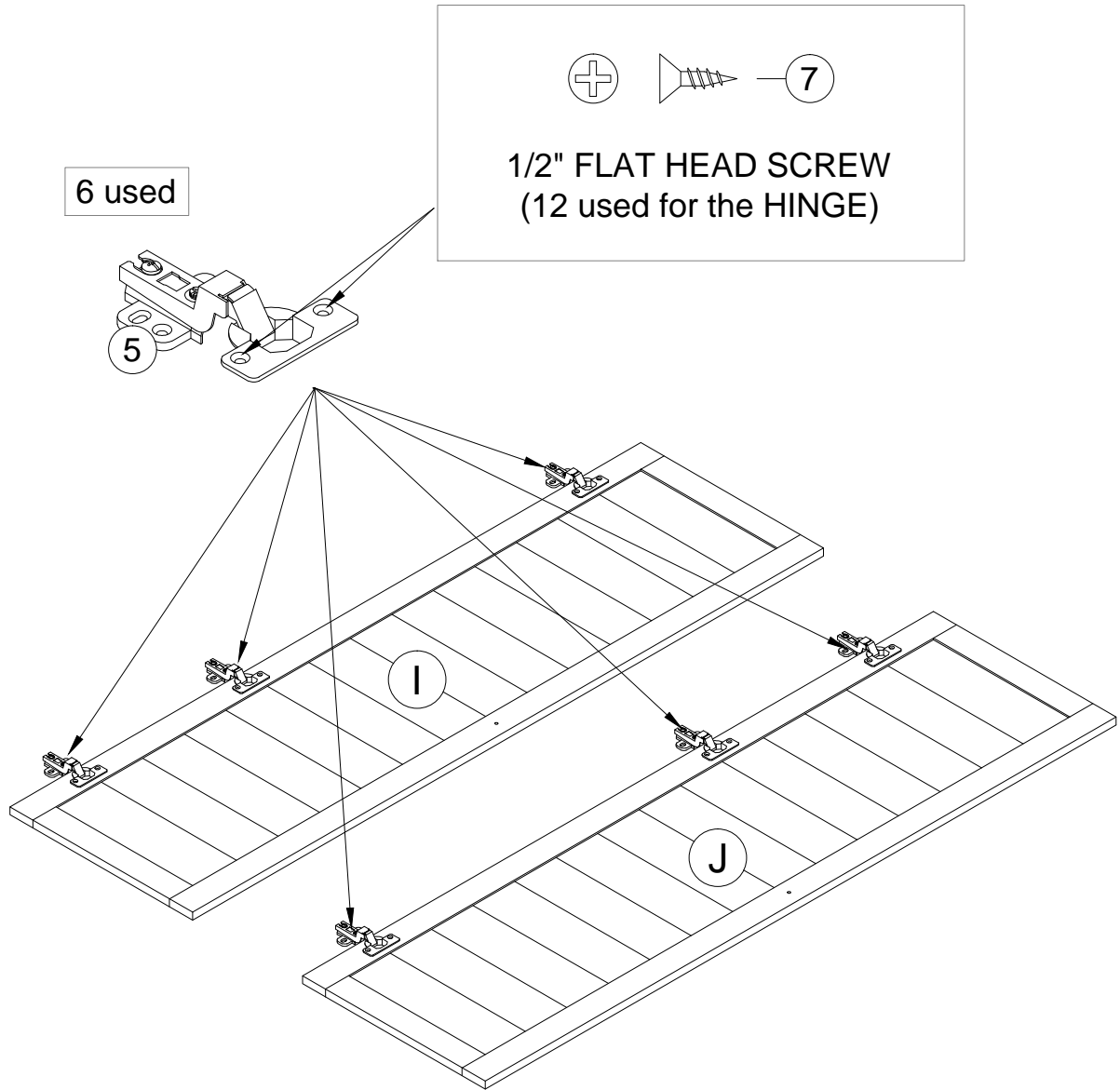


# Step 14

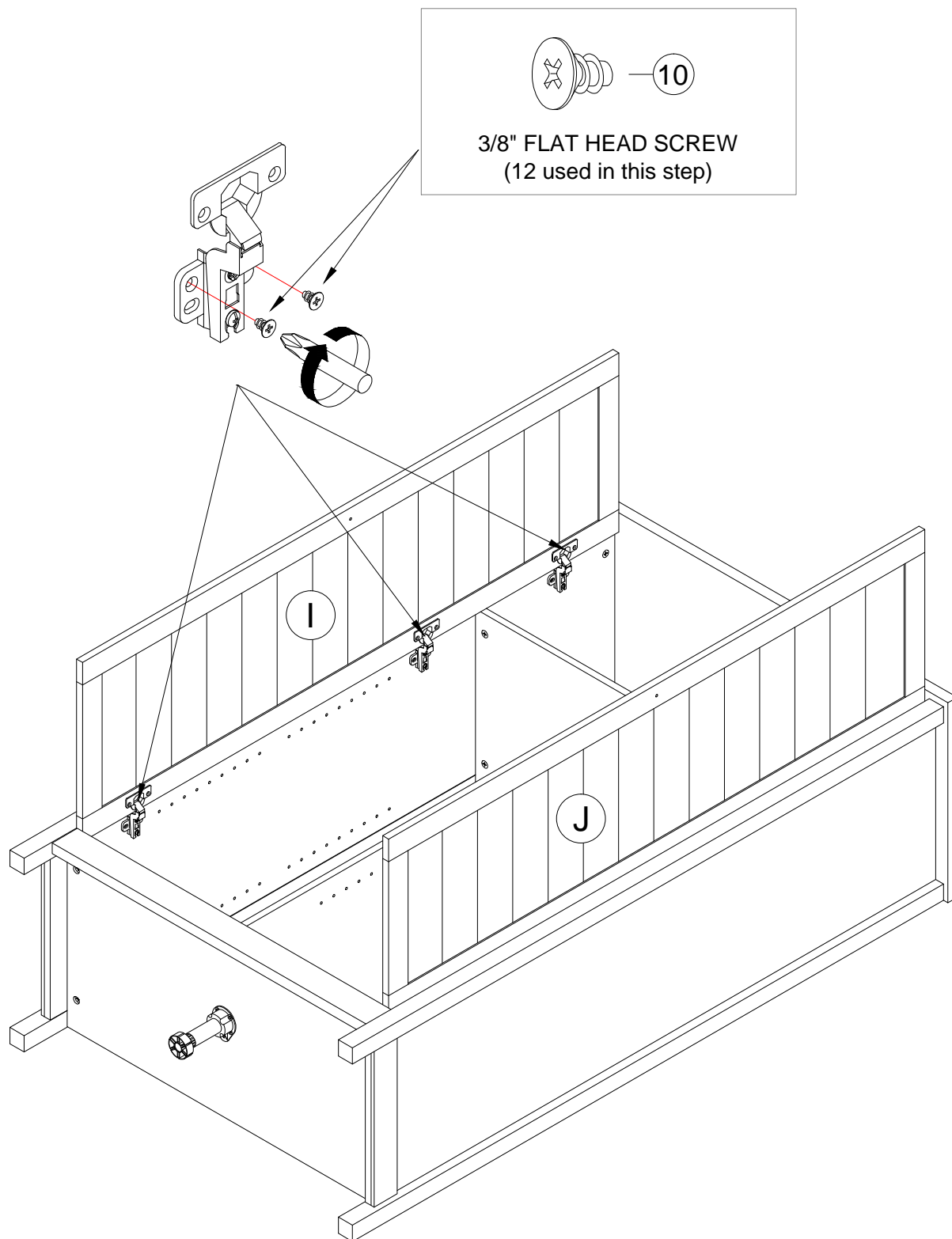
40 used



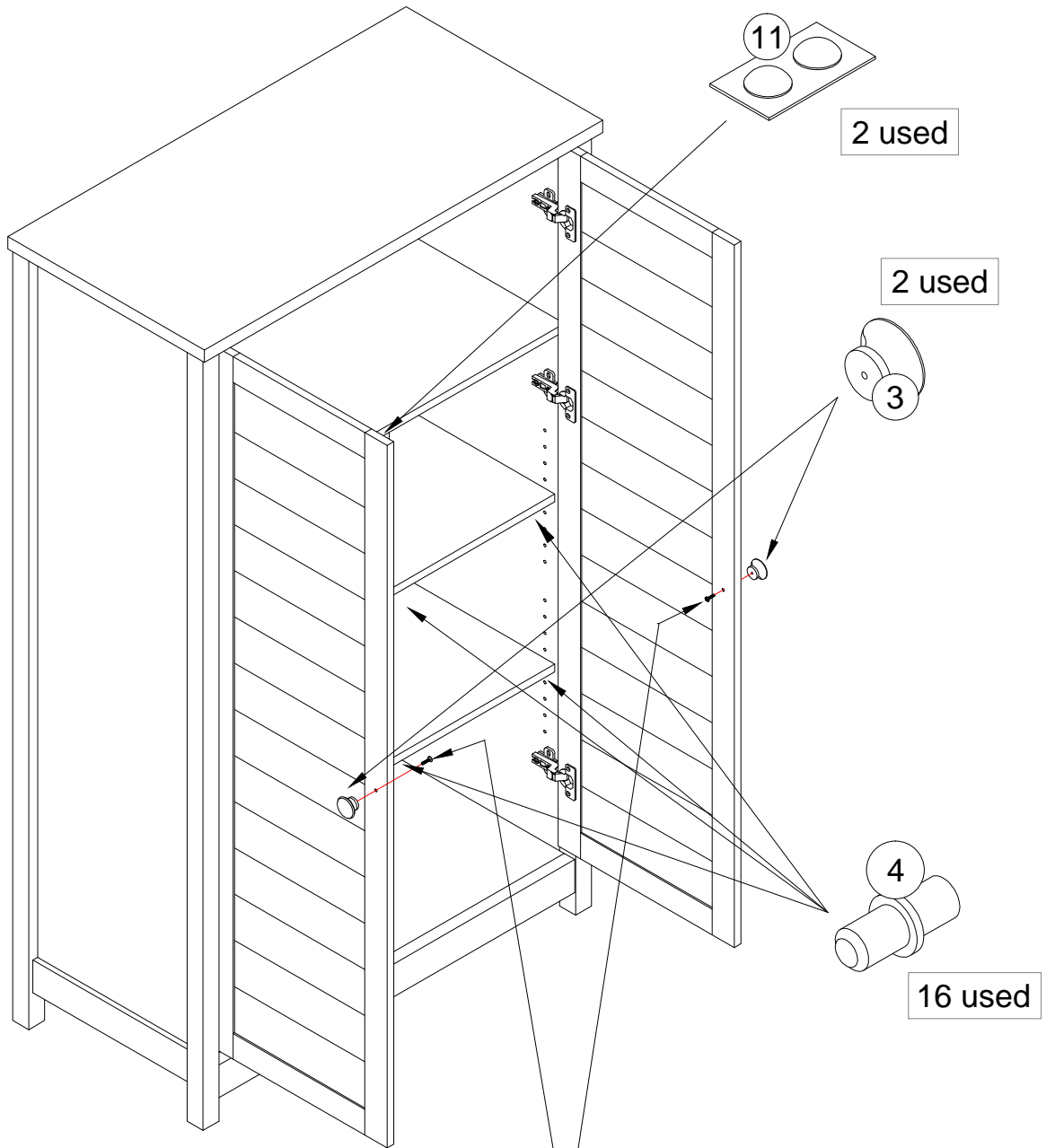
# Step 15

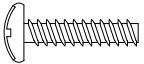


# Step 16



# Step 17

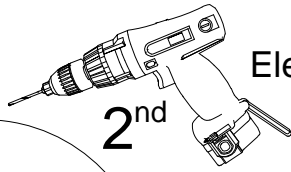


**+**  **8**

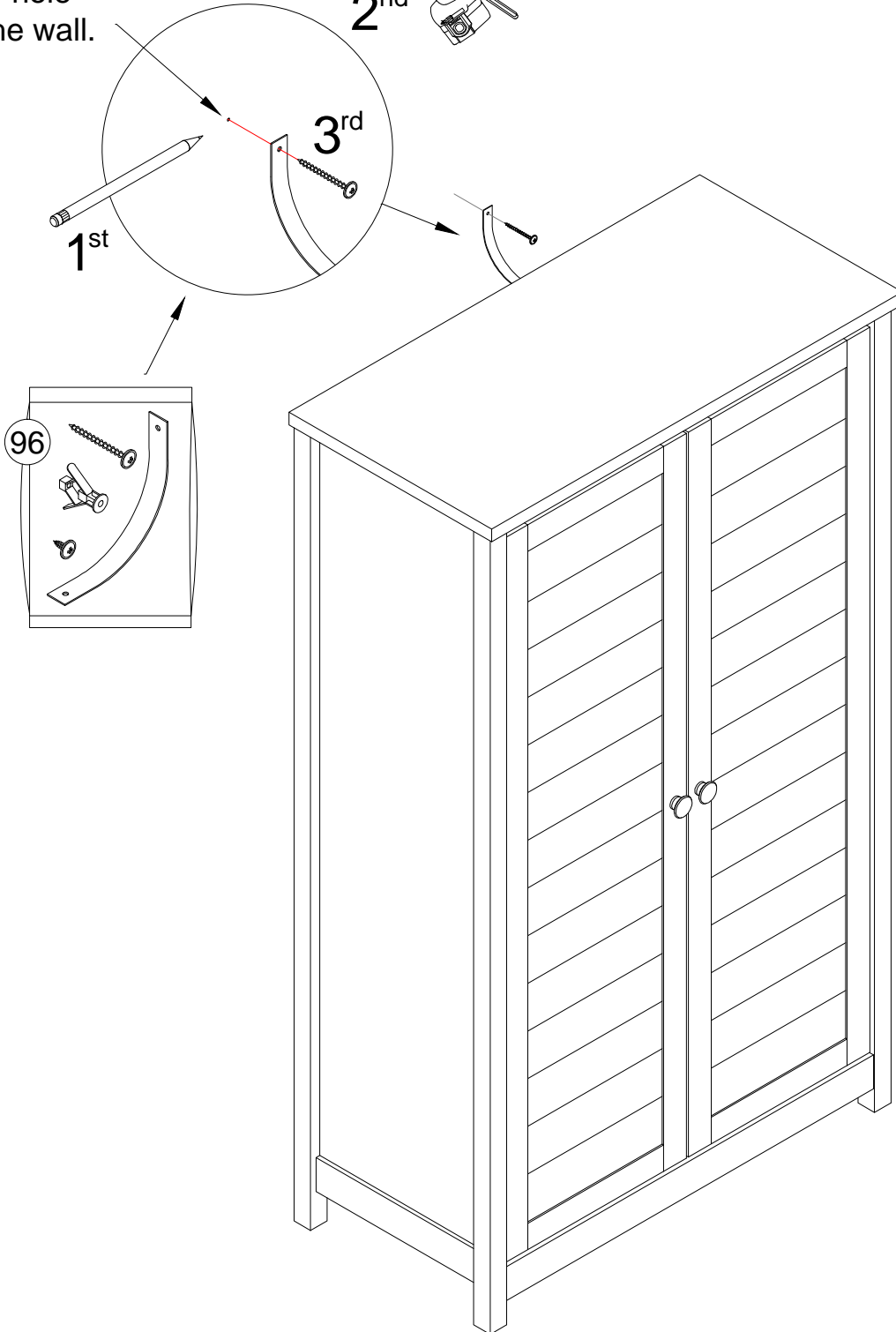
**3/4" MACHINE SCREW**  
**(2 used for the HANDLE)**

# Step 18

Mark and drill  
a 1/8" hole  
into the wall.

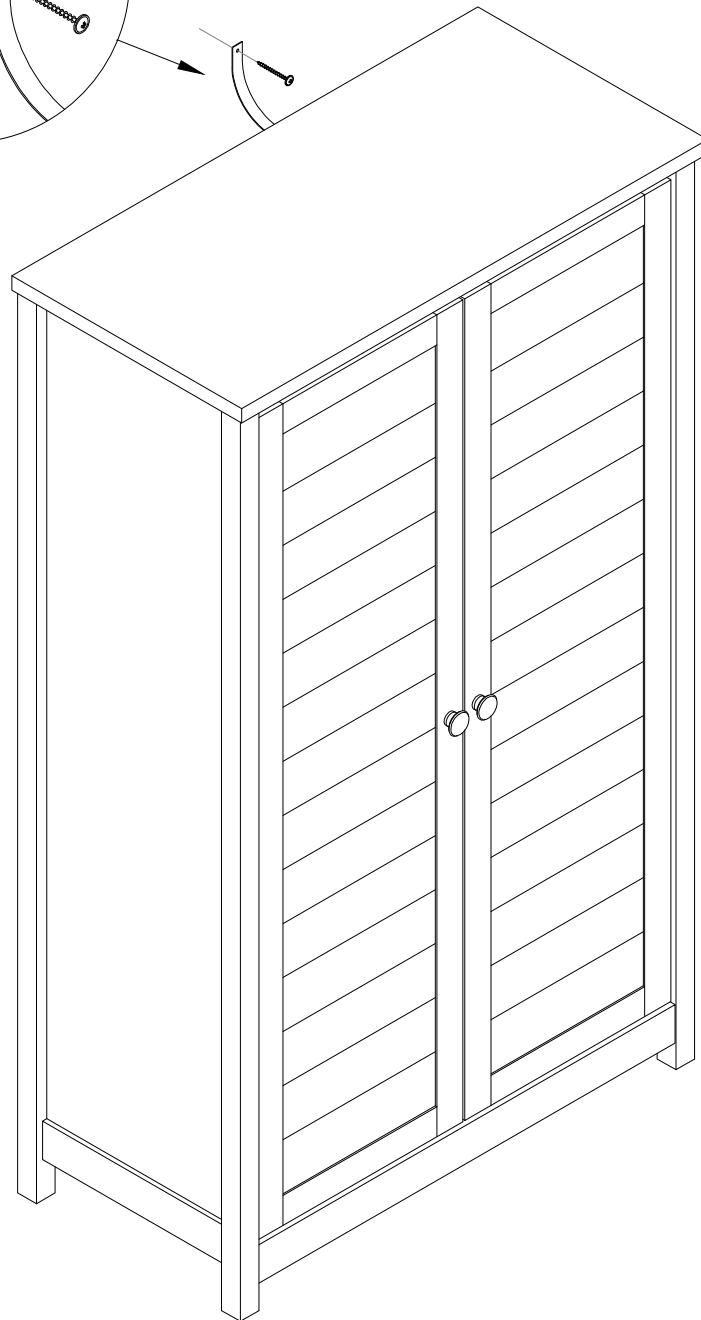
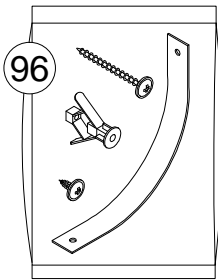
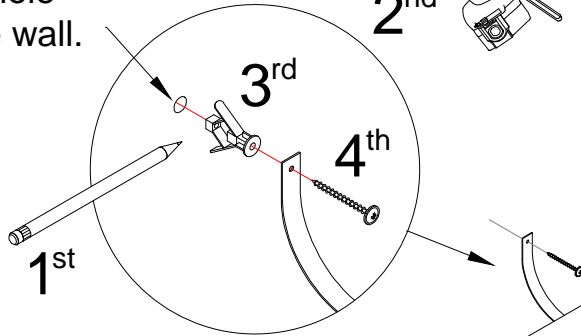
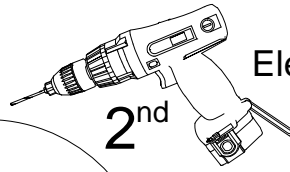


Electric drill with 1/8" bit



# Step 19

Mark and drill  
a 3/8" hole  
into the wall.



# Step 20

