

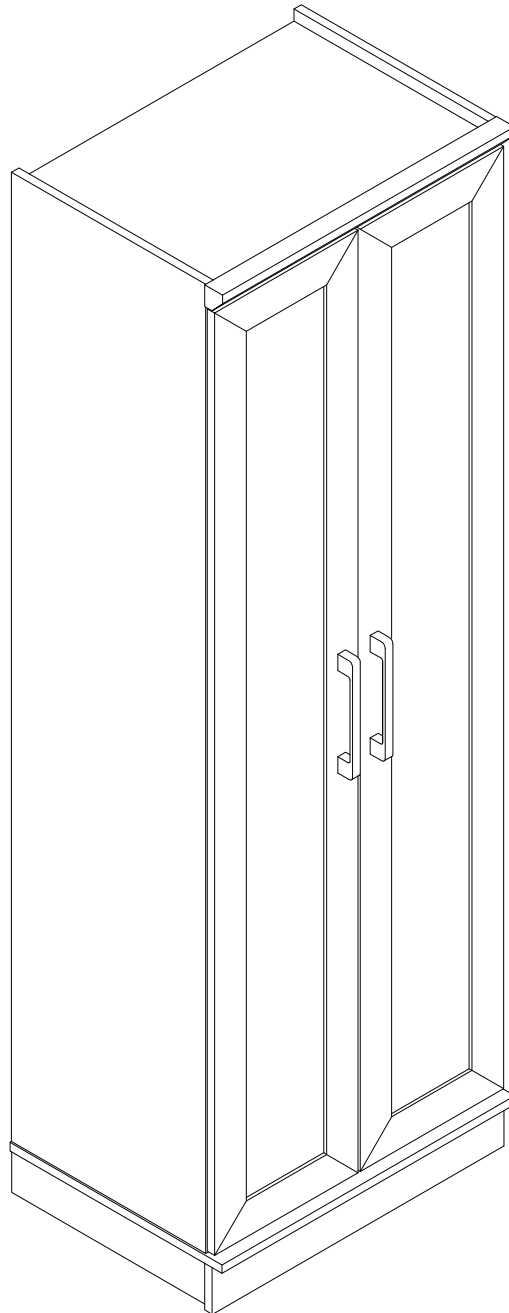
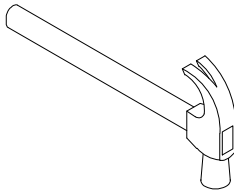
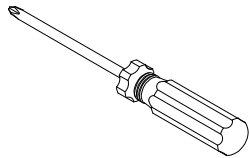
# Assembly Instruction

Item No : 96002

Description: 2 Door Wardrobe

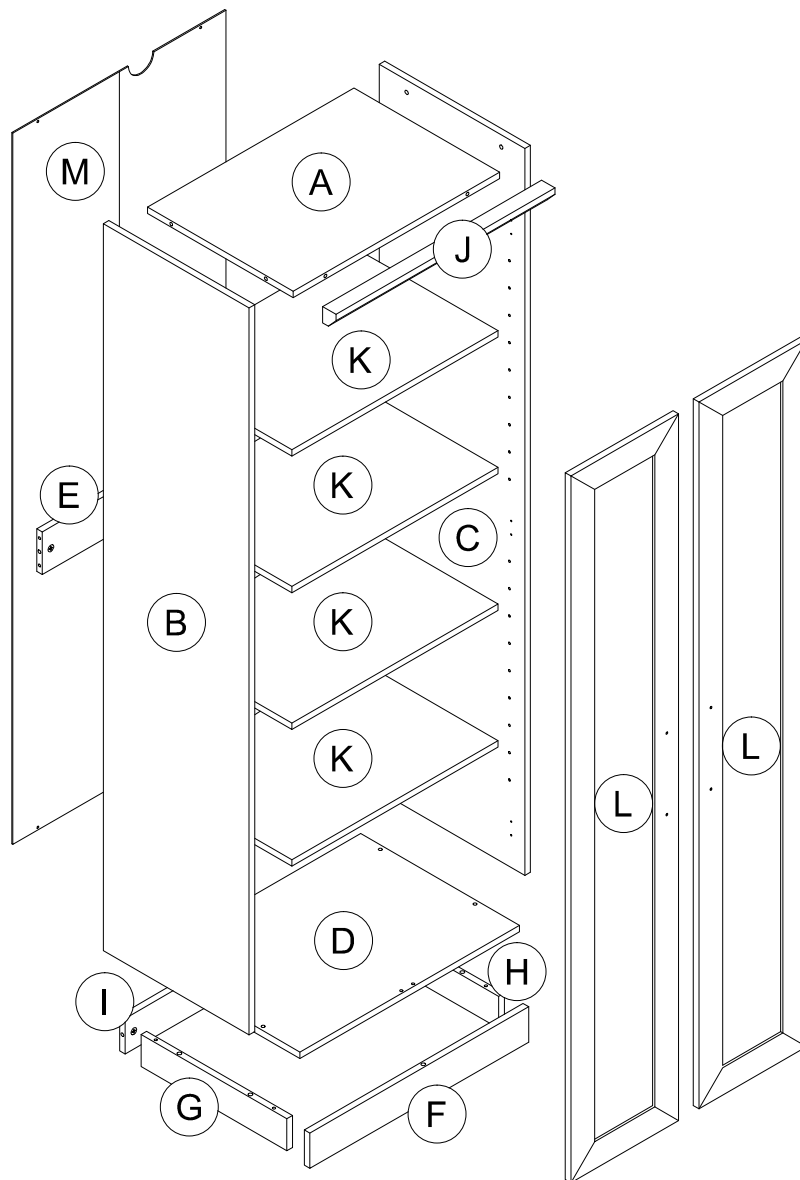


## TOOL REQUIRED



# PARTS LIST

|   |                  |   |                  |   |                |
|---|------------------|---|------------------|---|----------------|
| A | TOP (1)          | F | FRONT LEG (1)    | K | SHELF (4)      |
| B | LEFT END (1)     | G | LEFT LEG (1)     | L | DOOR (2)       |
| C | RIGHT END (1)    | H | RIGHT LEG (1)    | M | BACK PANEL (1) |
| D | BOTTOM (1)       | I | BACK LEG (1)     |   |                |
| E | BACK SUPPORT (1) | J | TOP MOULDING (1) |   |                |

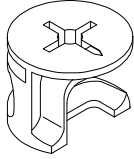


## USEFUL HINTS BEFORE YOU START:

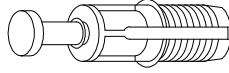
1. Read each step carefully before starting.
2. It is important that each step is performed in correct order to avoid difficulties.
3. Identify, soft and count the parts before assembly.
4. Assemble your furniture on packaging cardboard to prevent scratch or damage.
5. Clean the product with mild cleanser using soft damped cloth. Do not use harsh or abrasive cleanser.
6. Using incompatible hardware might cause damage to product.

# HARDWARE LIST

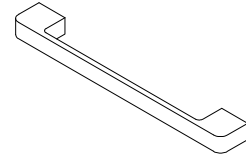
1 HIDDEN CAM  
- 18



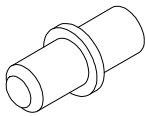
2 CAM DOWEL (BLACK)  
- 18



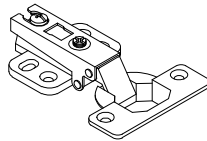
3 HANDLE - 2



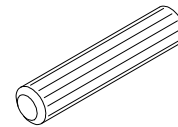
4 METAL PIN - 16



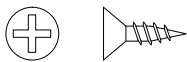
5 HINGE - 6



6 WOOD DOWEL - 8



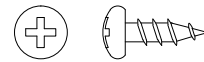
7 1/2" FLAT HEAD  
SCREW - 12



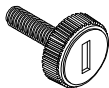
8 3/4" MACHINE  
SCREW - 4



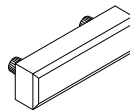
9 #8x1/2" PH TAPPING  
SCREW - 4



10 ADJUSTABLE LEG - 4



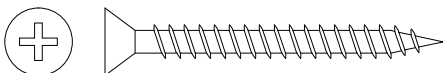
11 STOPPER - 2



12 NAIL - 30



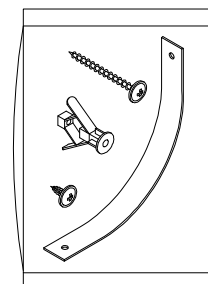
13 1-3/4" FLAT HEAD  
SCREW - 4



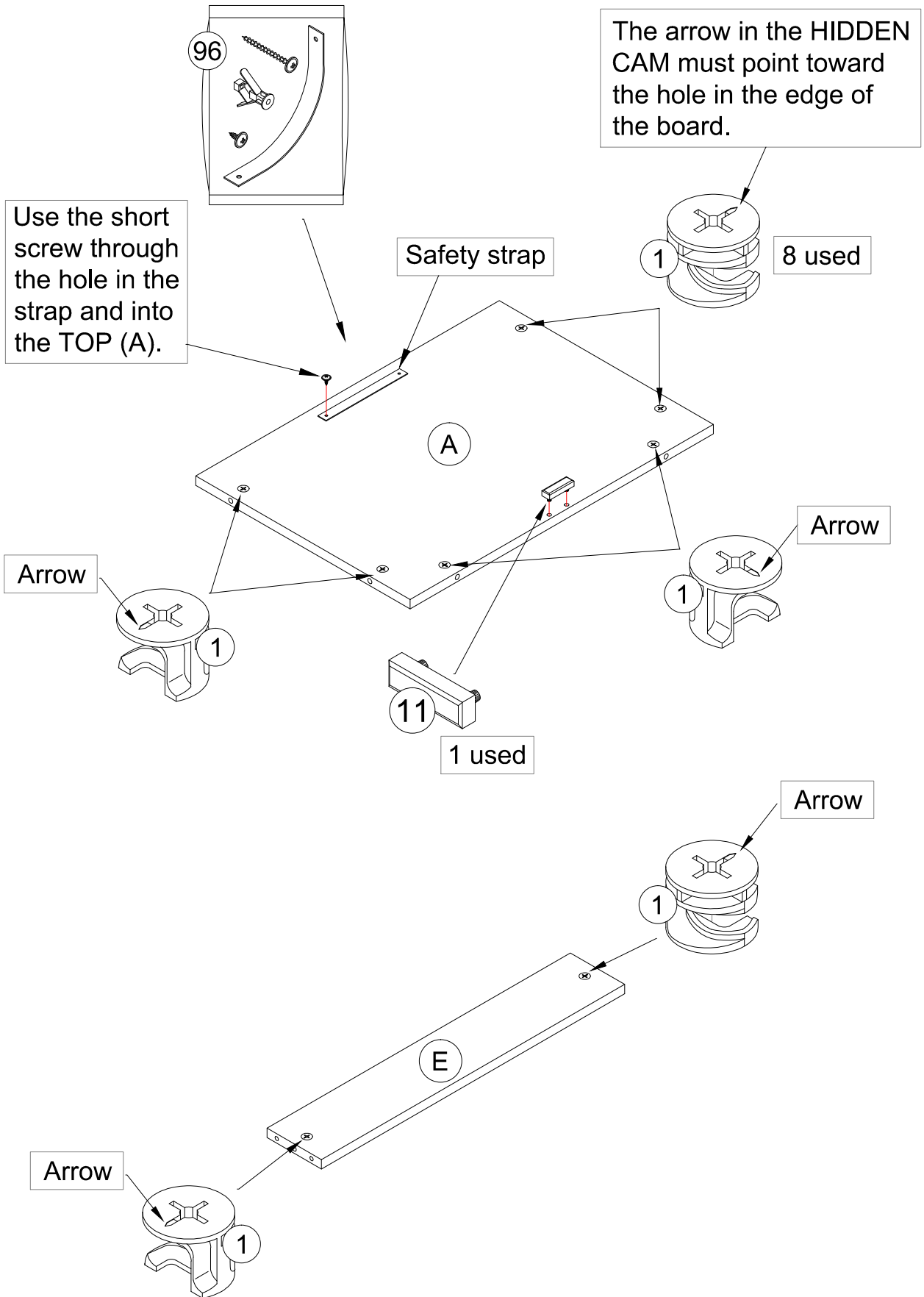
14 M6.3 x 10MM ZB  
EURO SCREW - 12



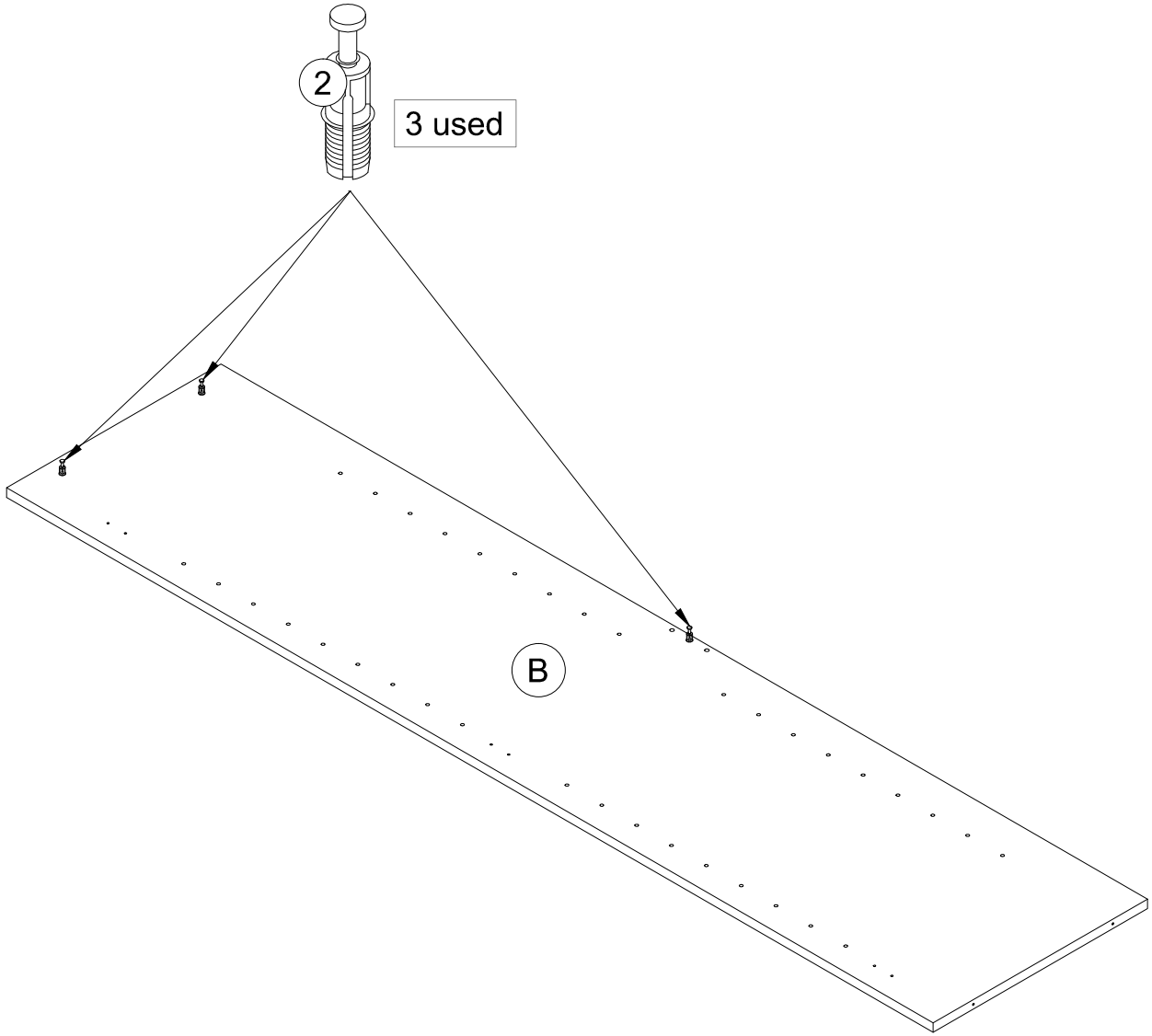
96 FURNITURE TIPPING  
RESTRAINT KIT - 1



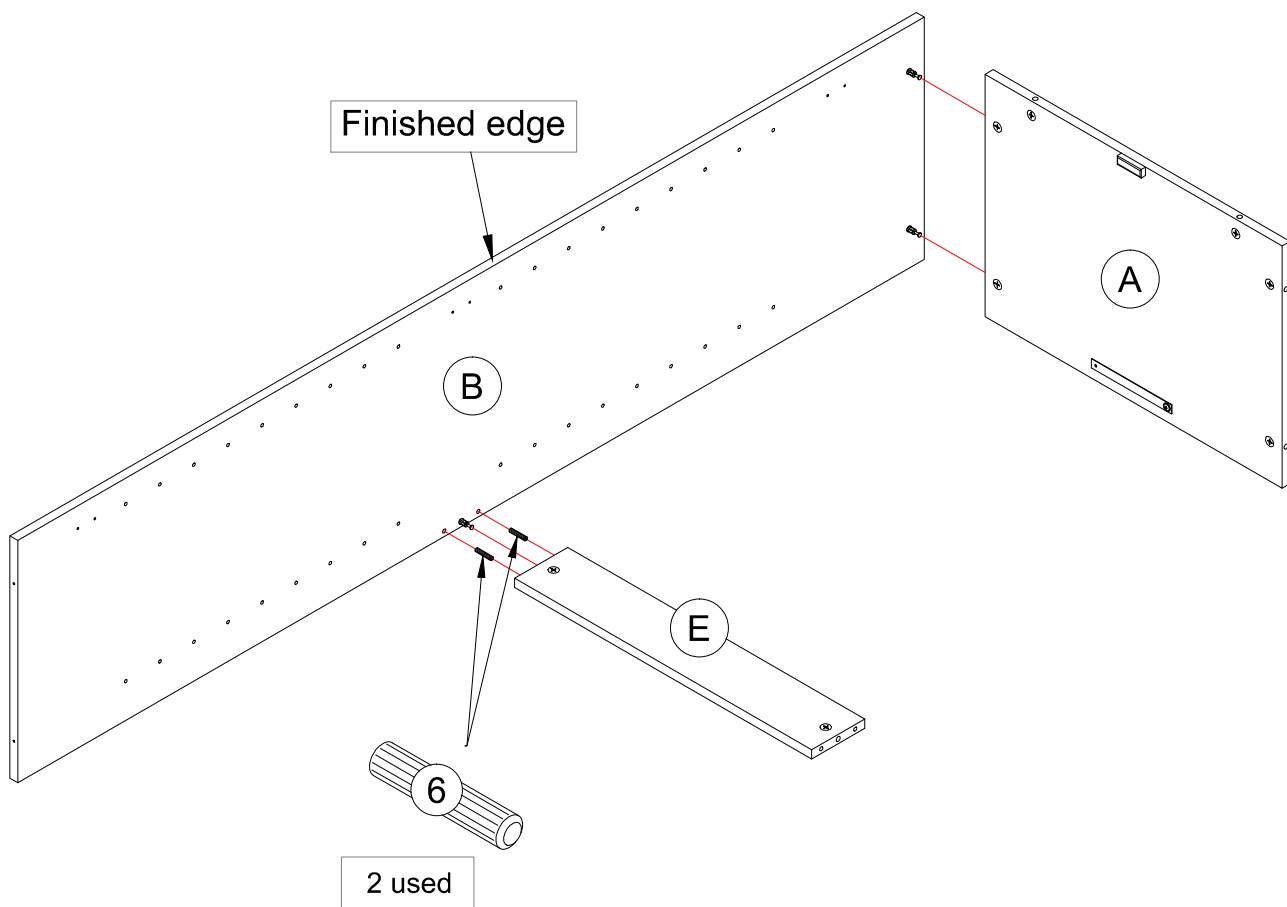
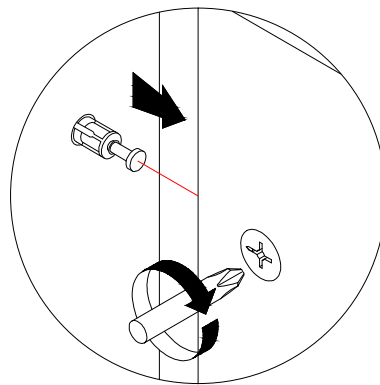
# Step 1



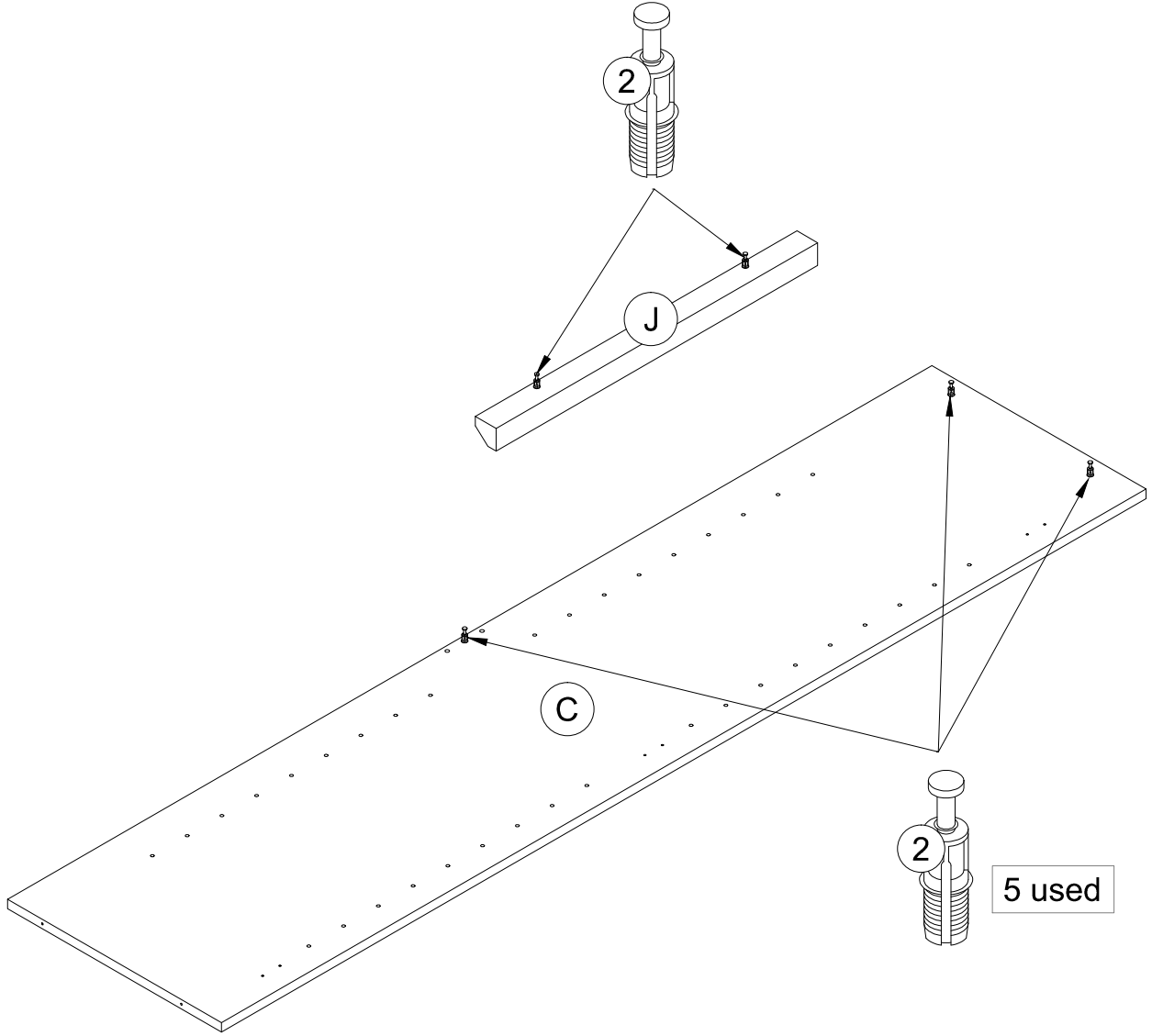
# Step 2



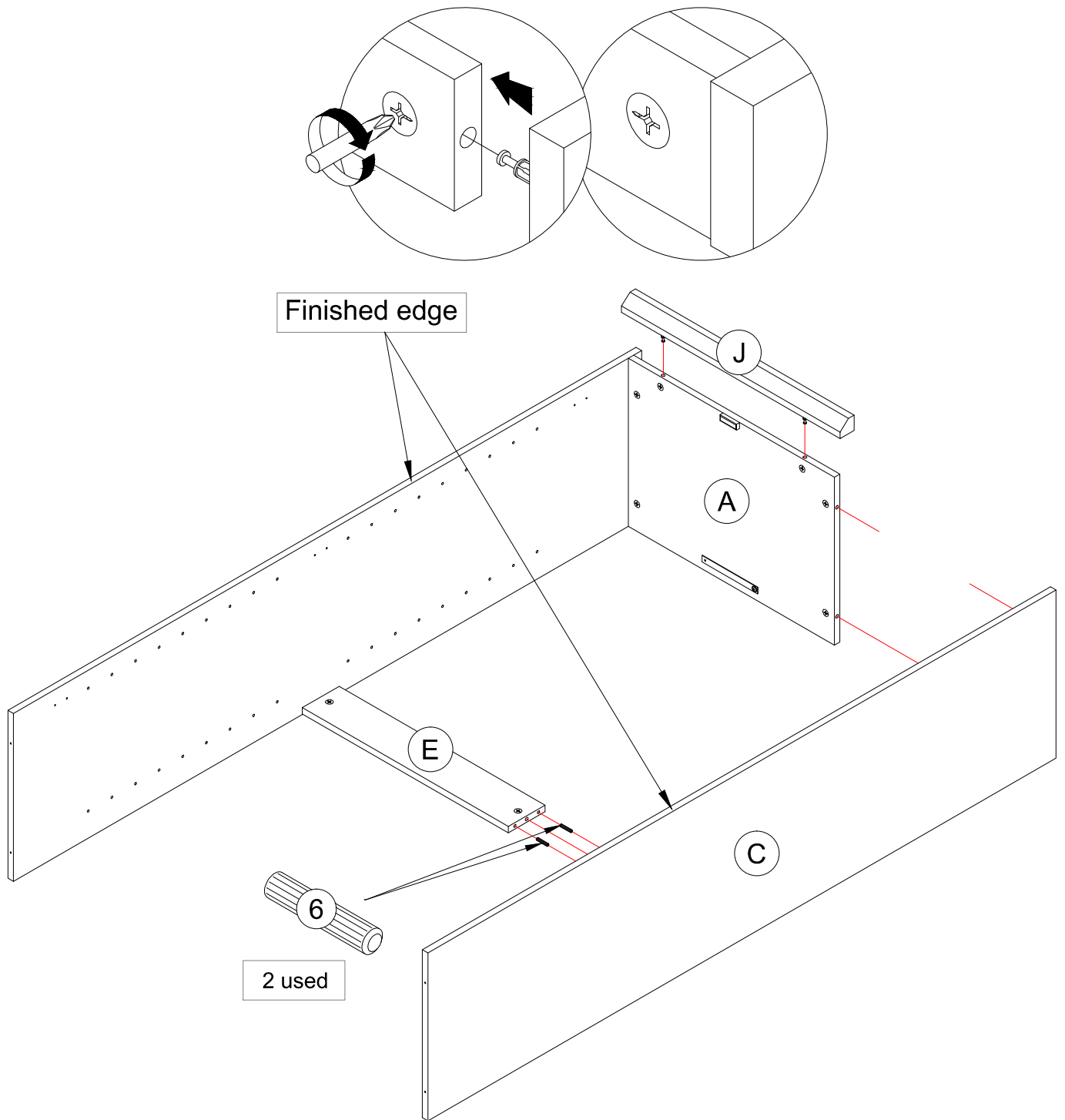
# Step 3



# Step 4

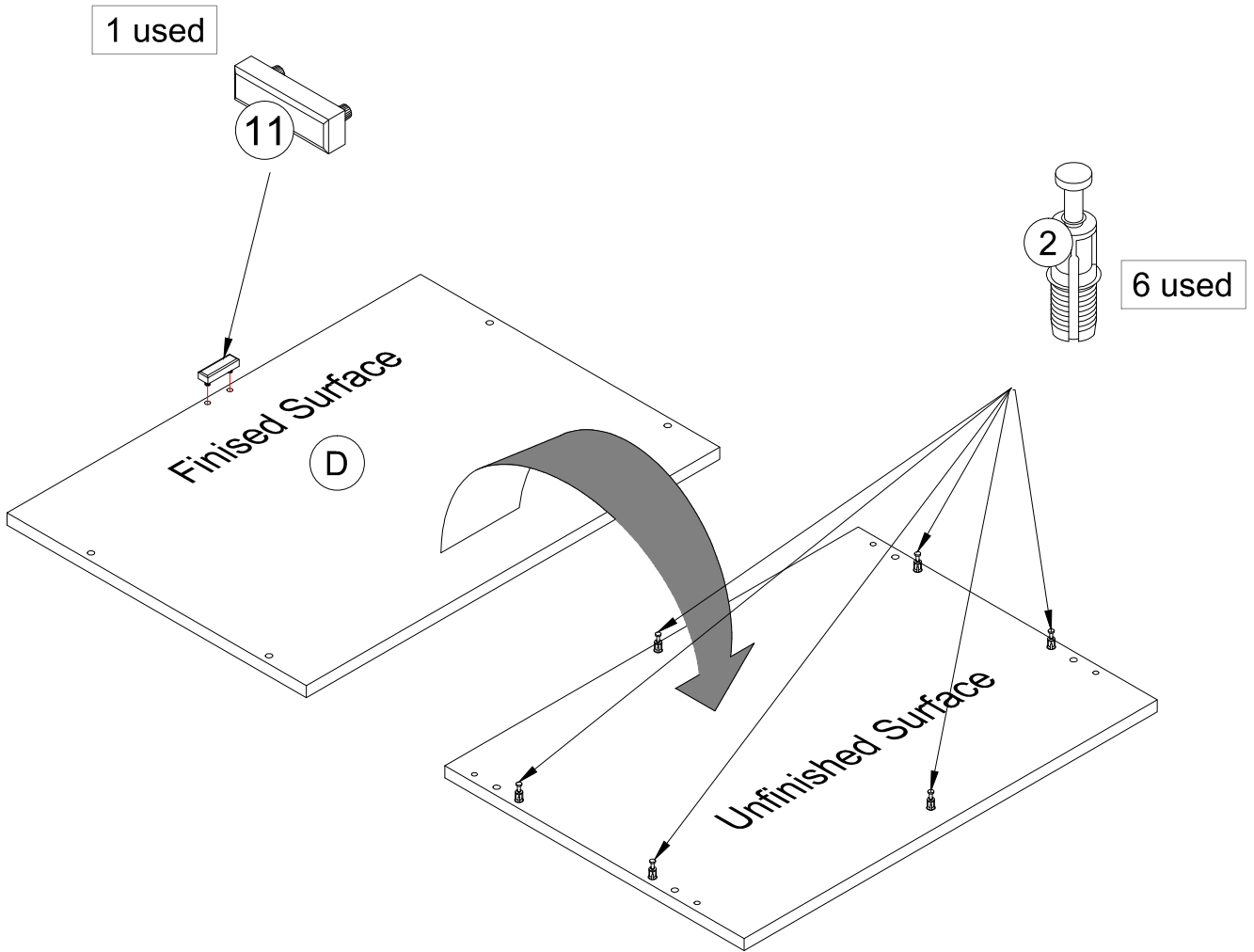


# Step 5

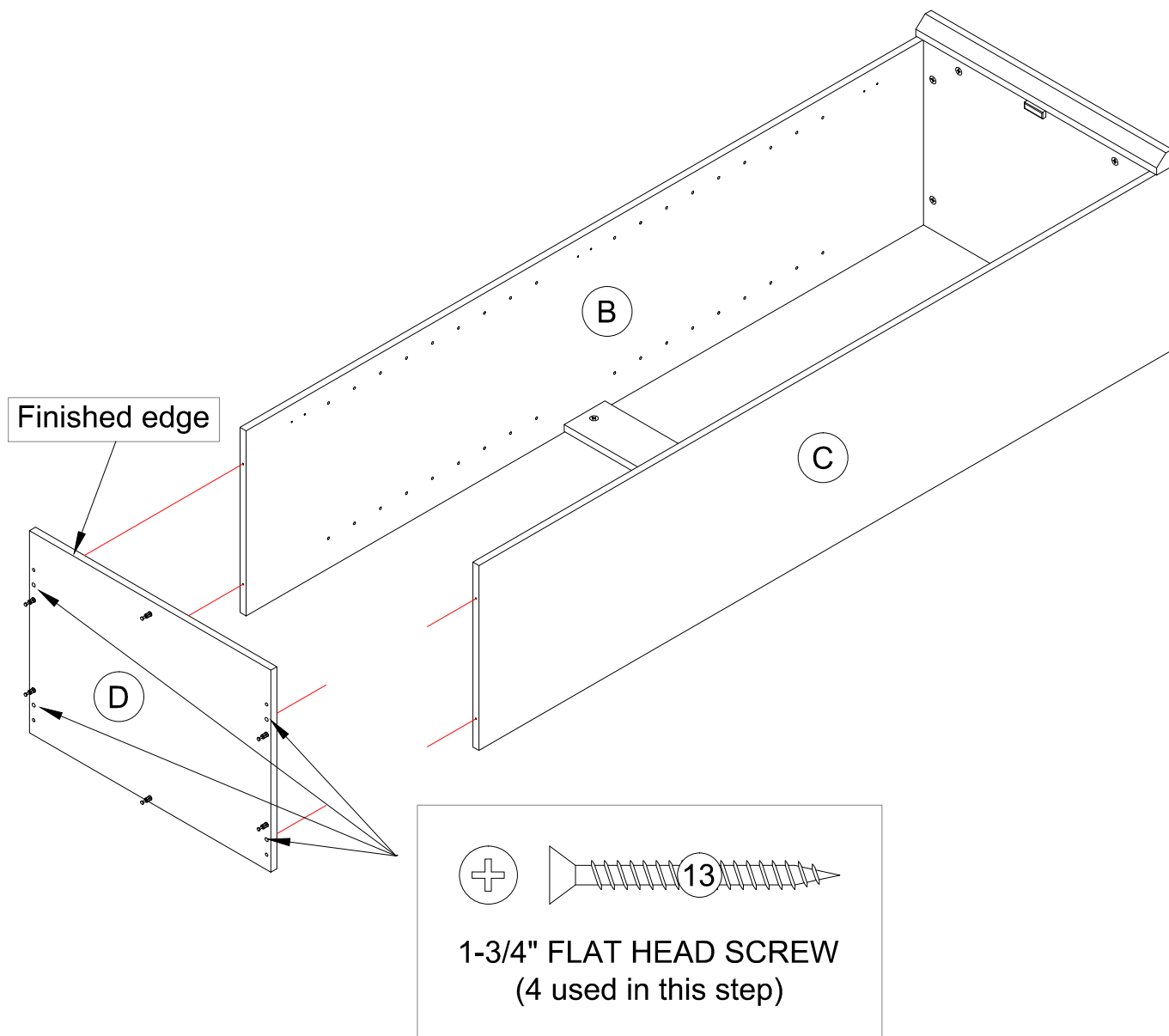




# Step 6

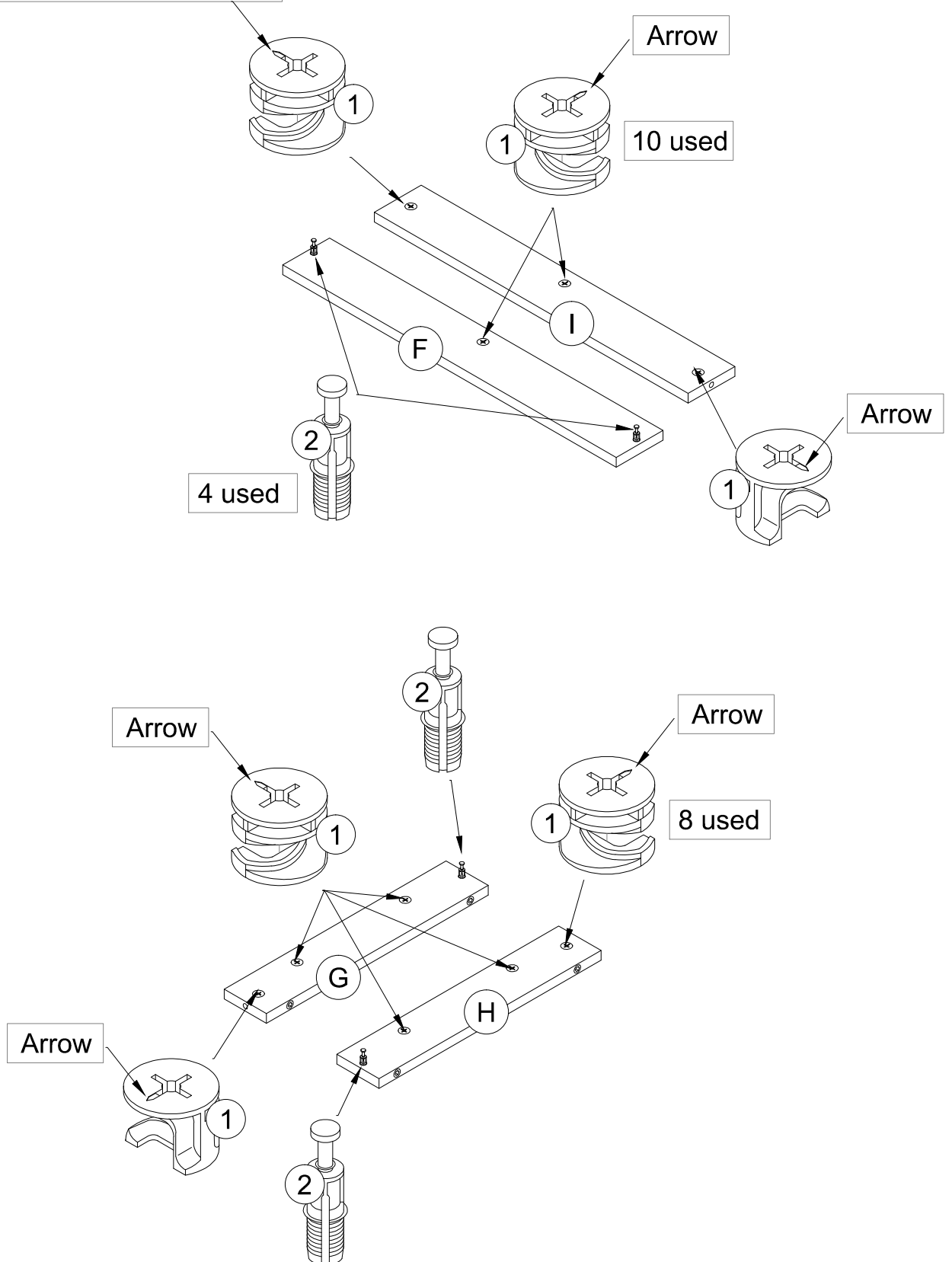


# Step 7

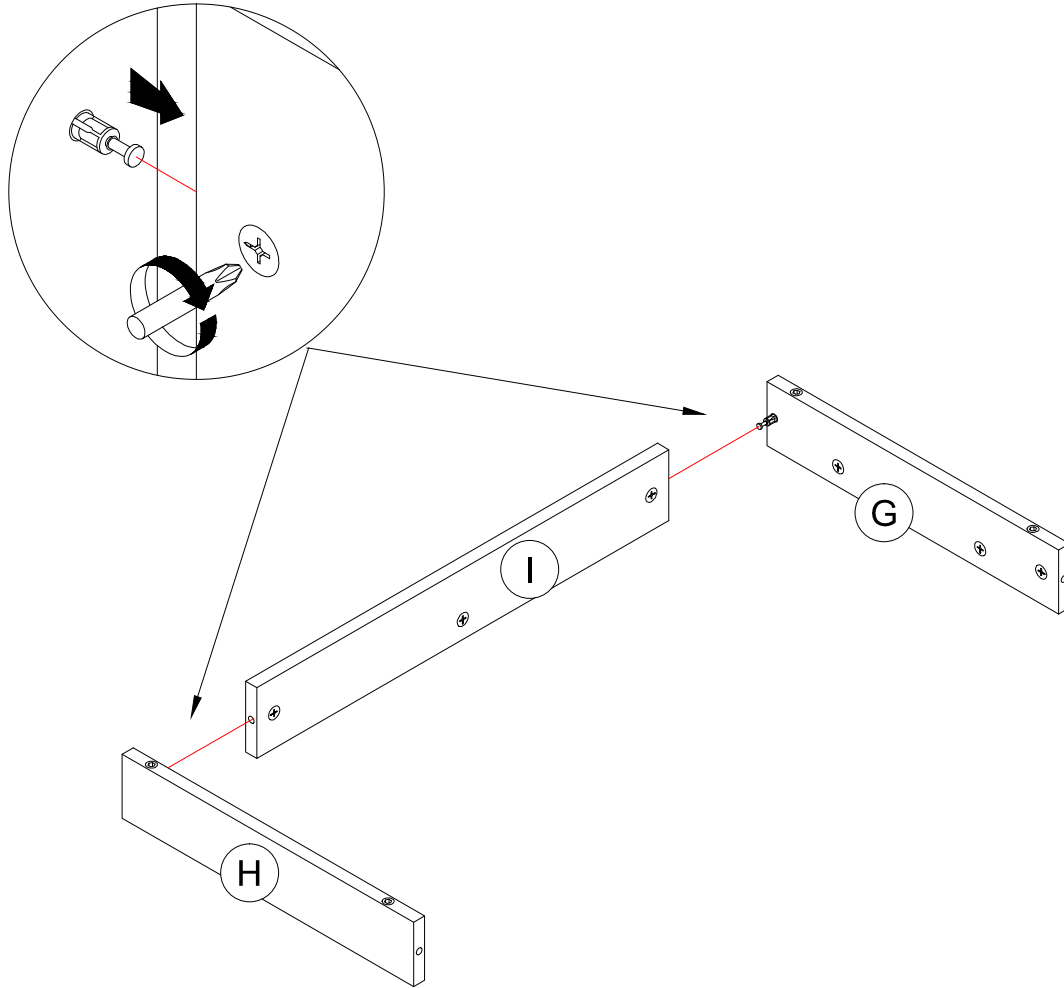


# Step 8

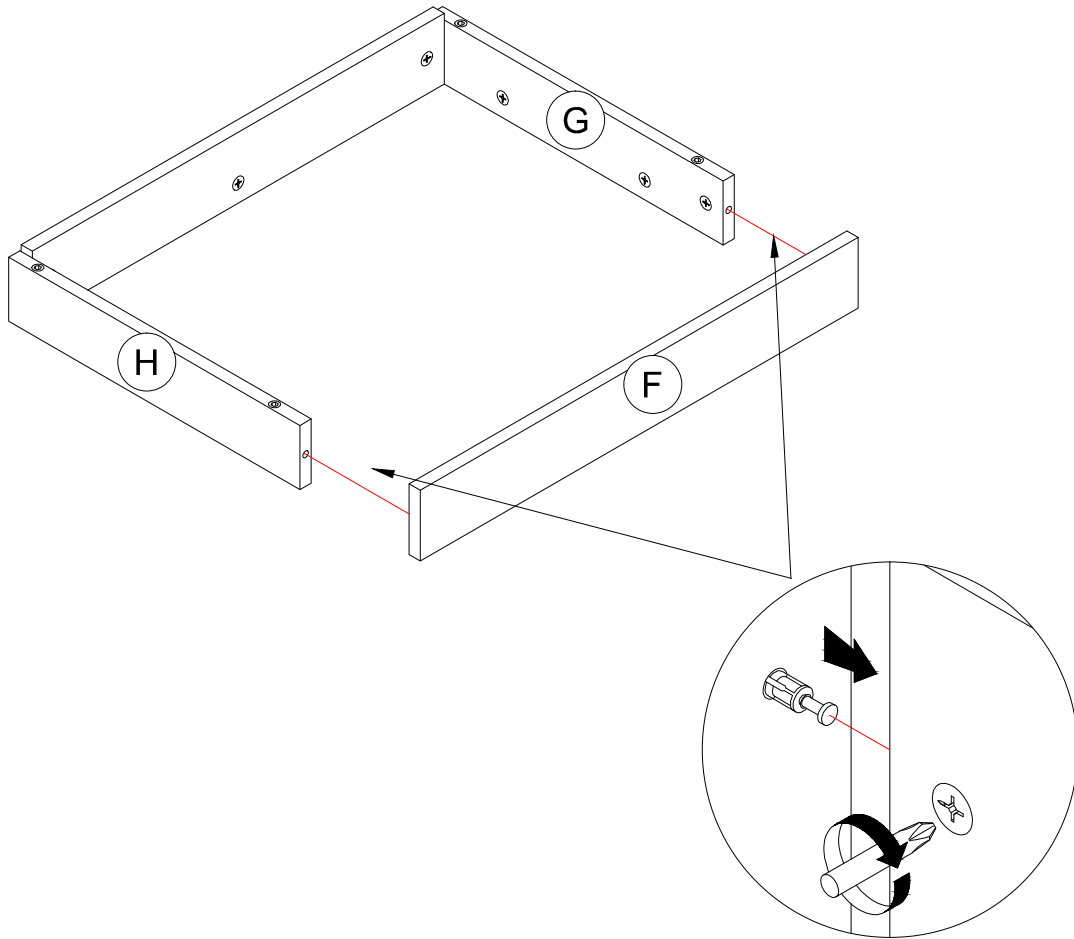
The arrow in the HIDDEN CAM must point toward the hole in the edge of the board.



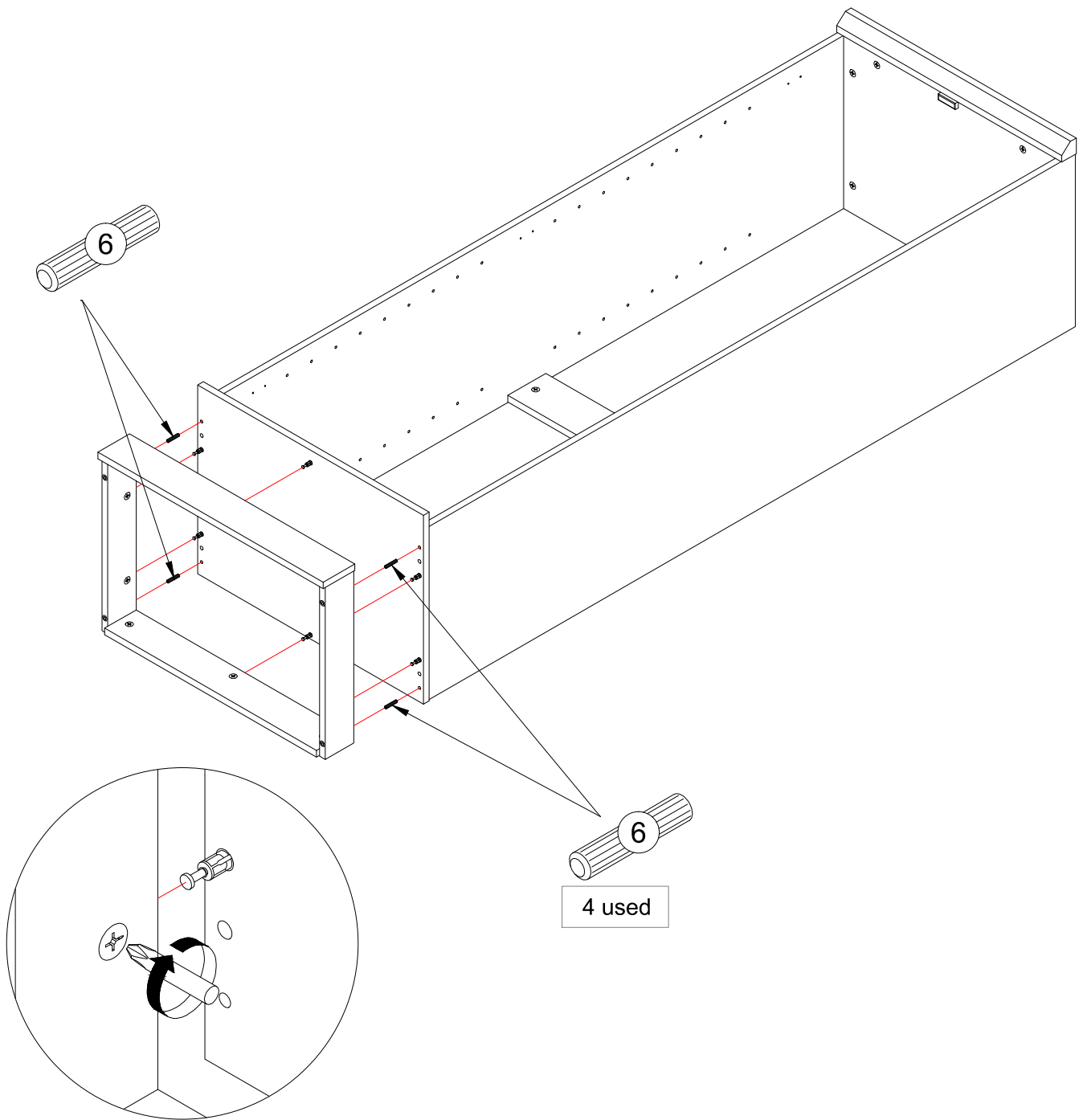
# Step 9



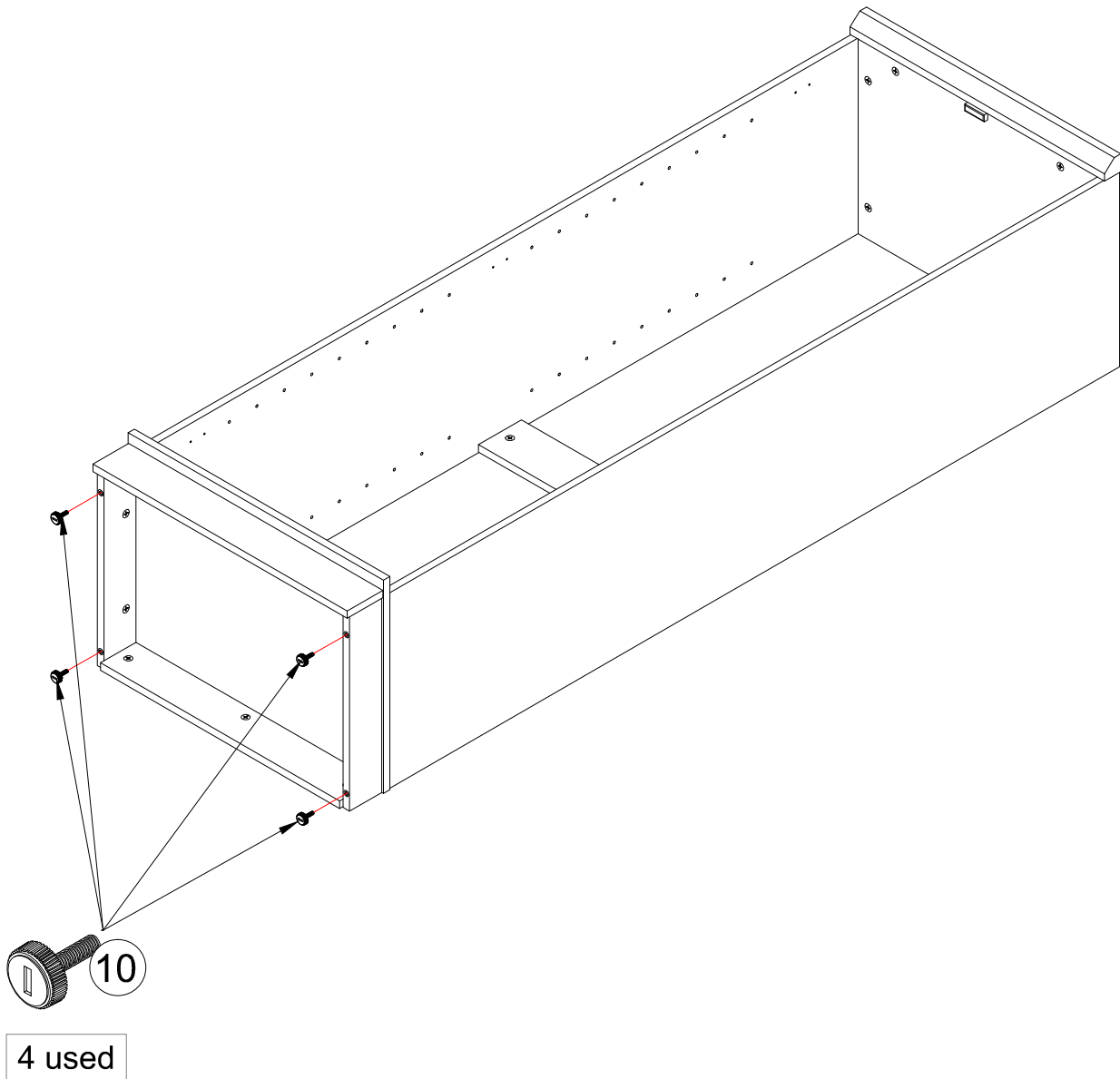
# Step 10



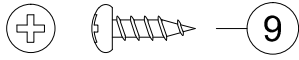
# Step 11



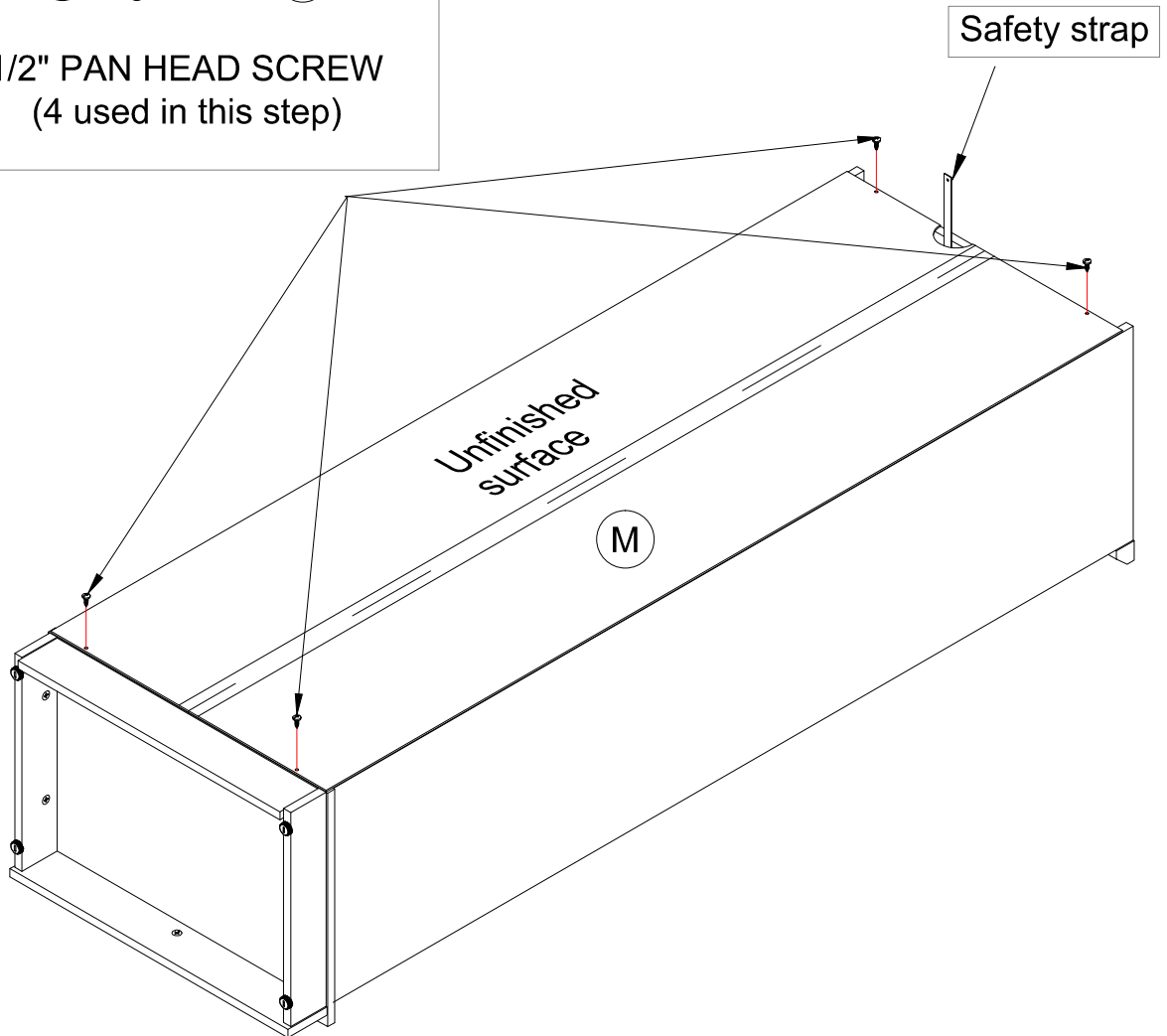
# Step 12



# Step 13

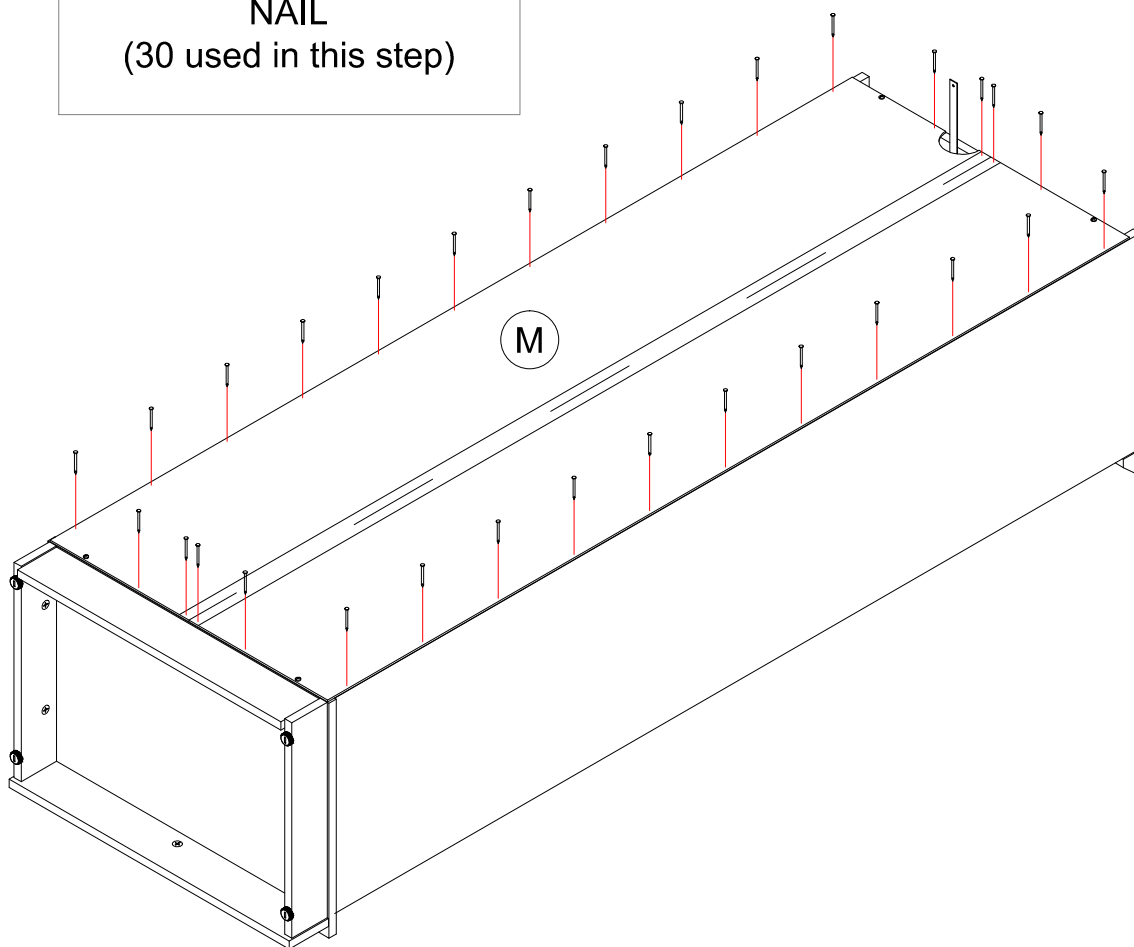
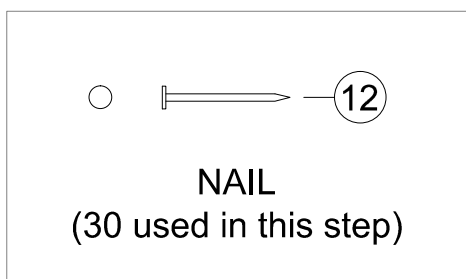


1/2" PAN HEAD SCREW  
(4 used in this step)

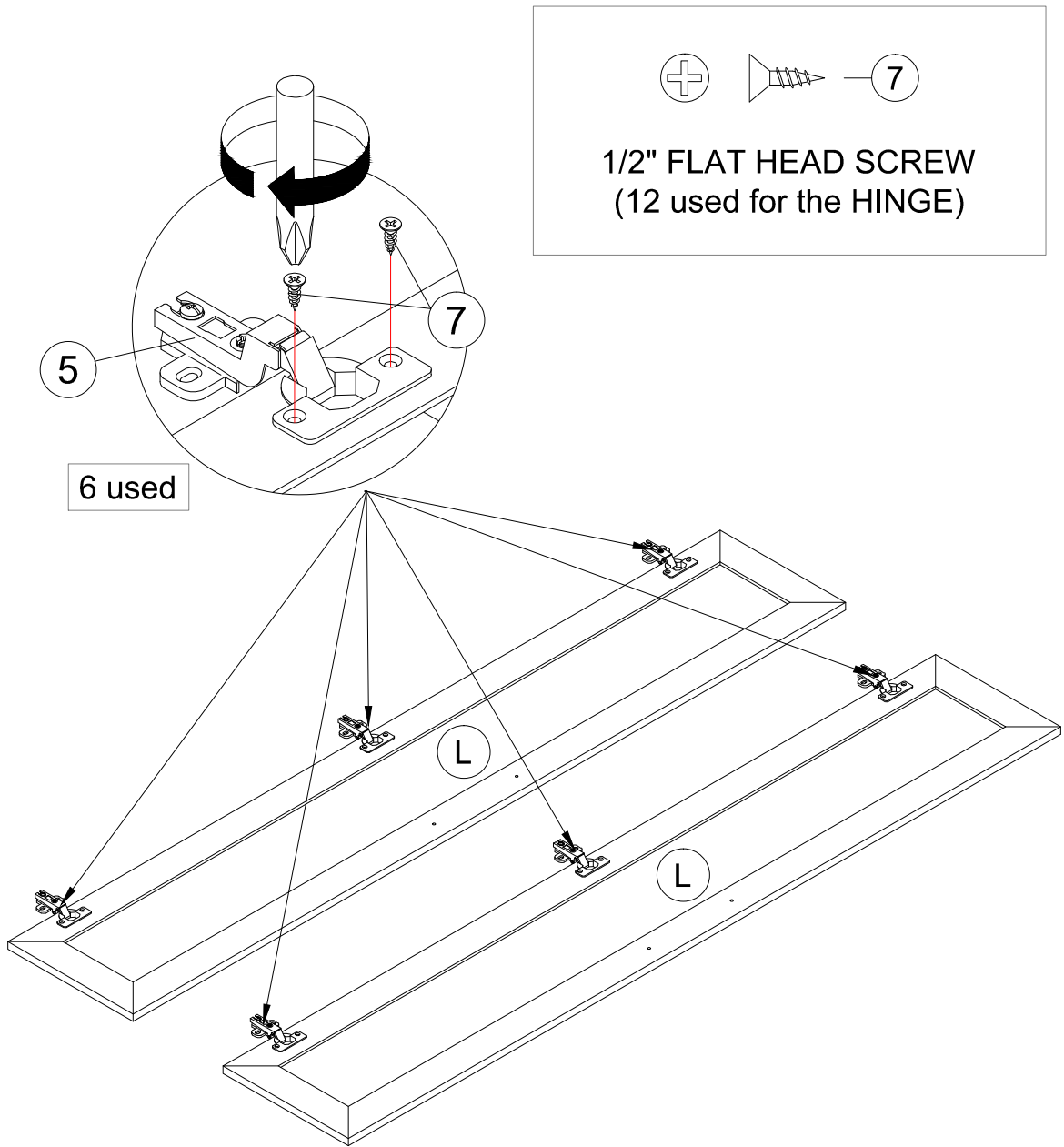




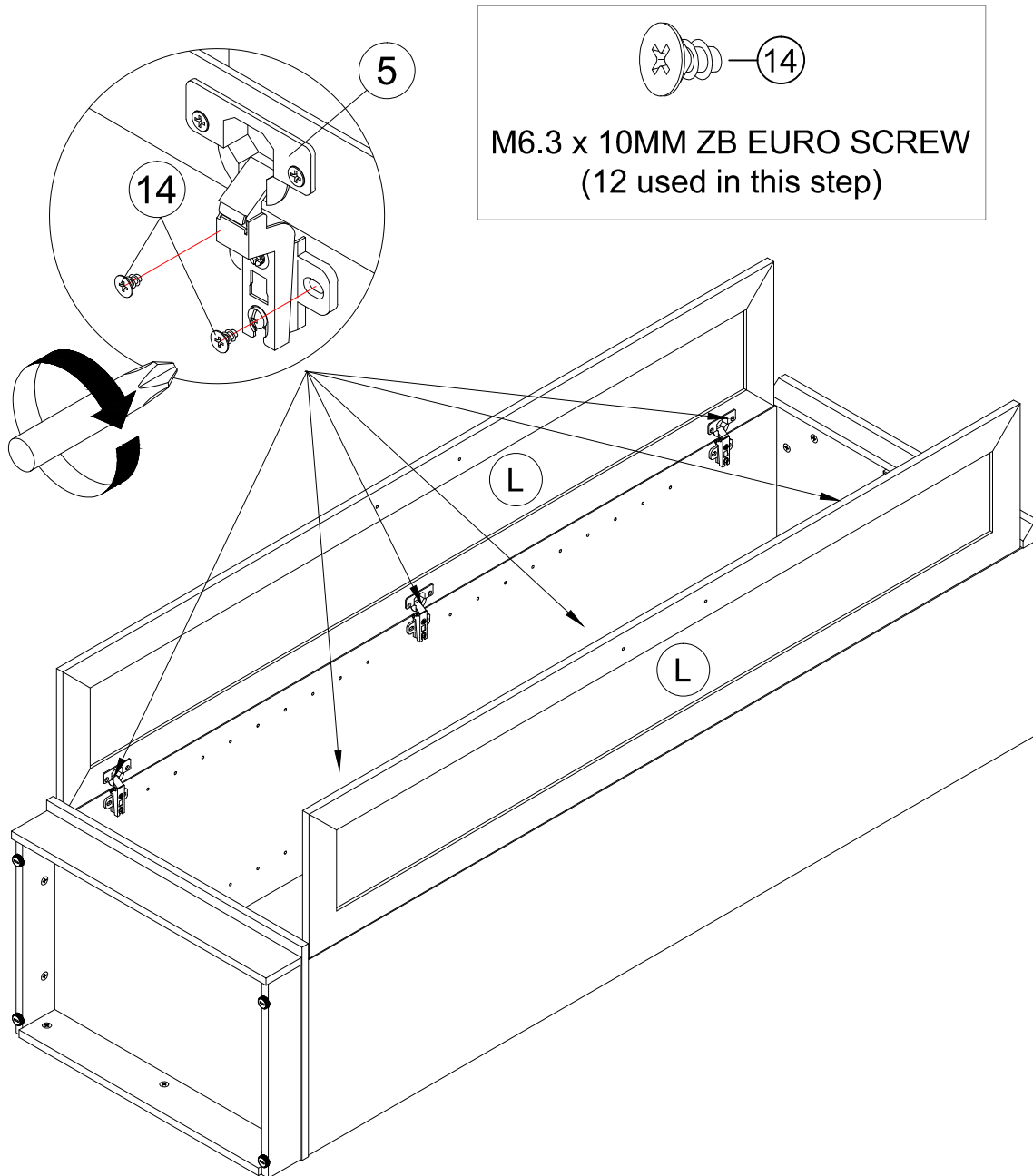
# Step 14



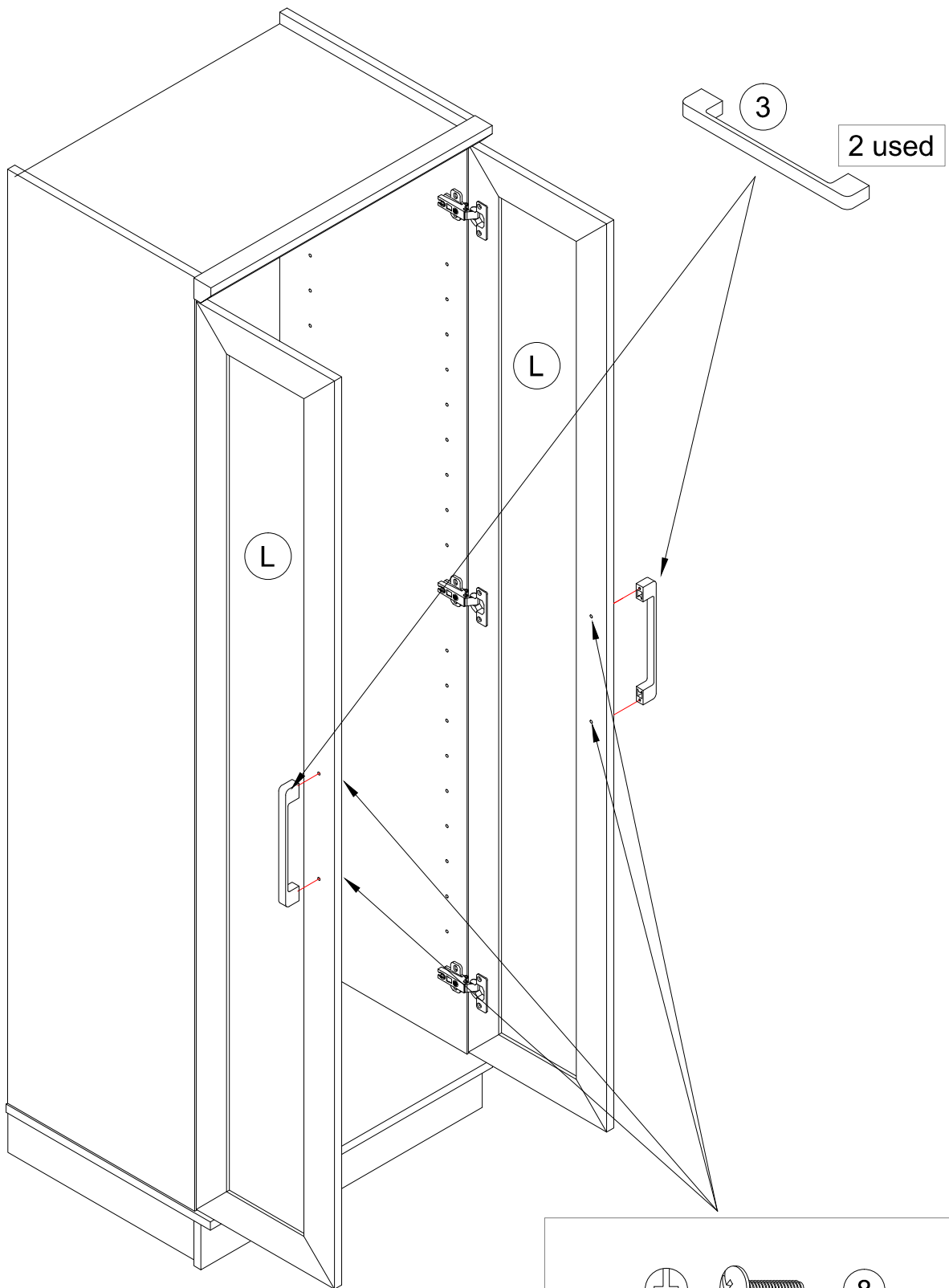
# Step 15


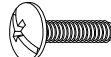


# Step 16



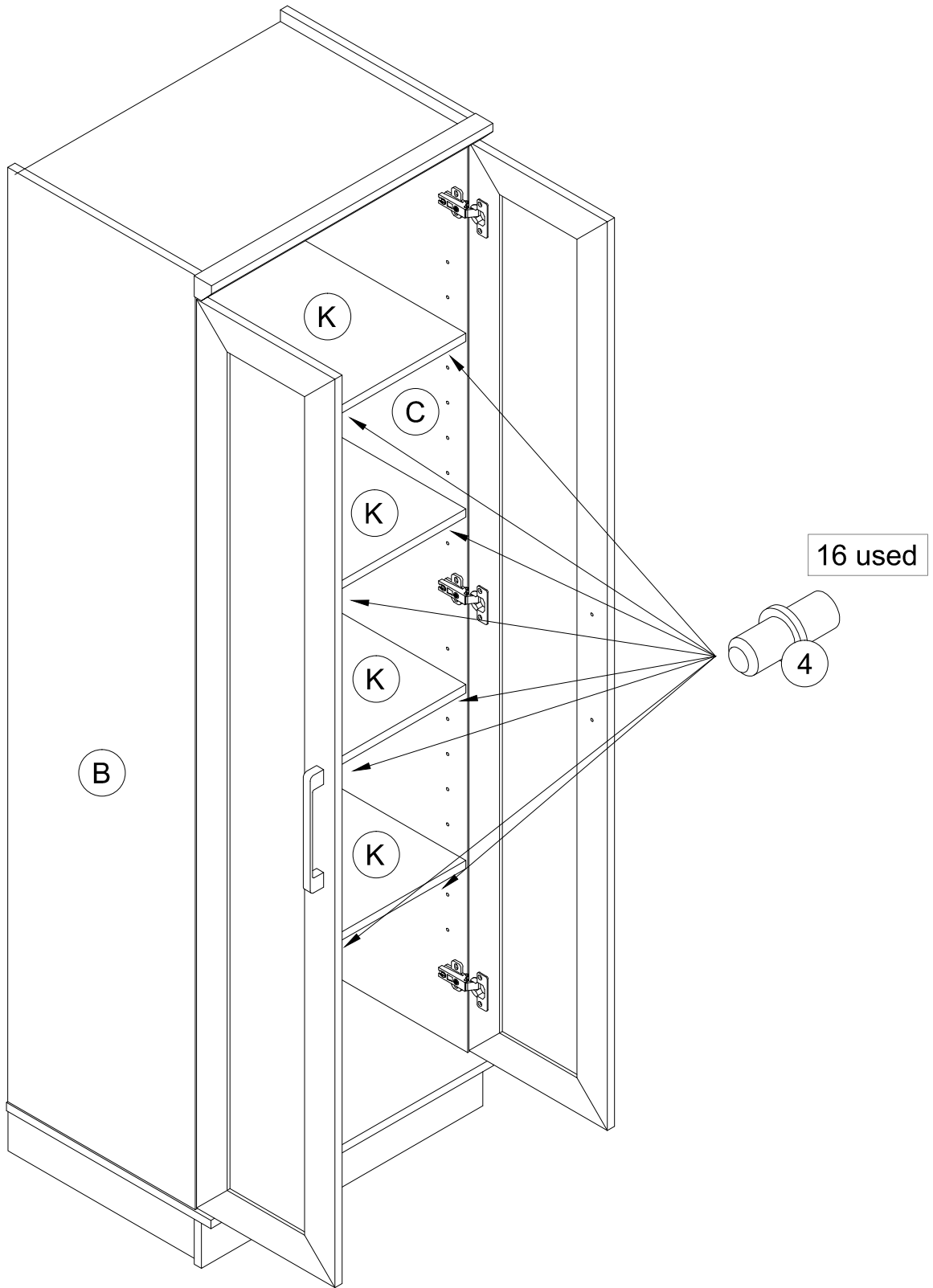
# Step 17



  — 8

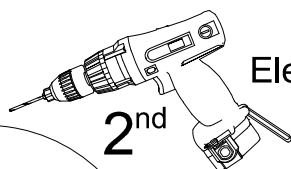
**3/4" MACHINE SCREW**  
(4 used for the HANDLE)

# Step 18

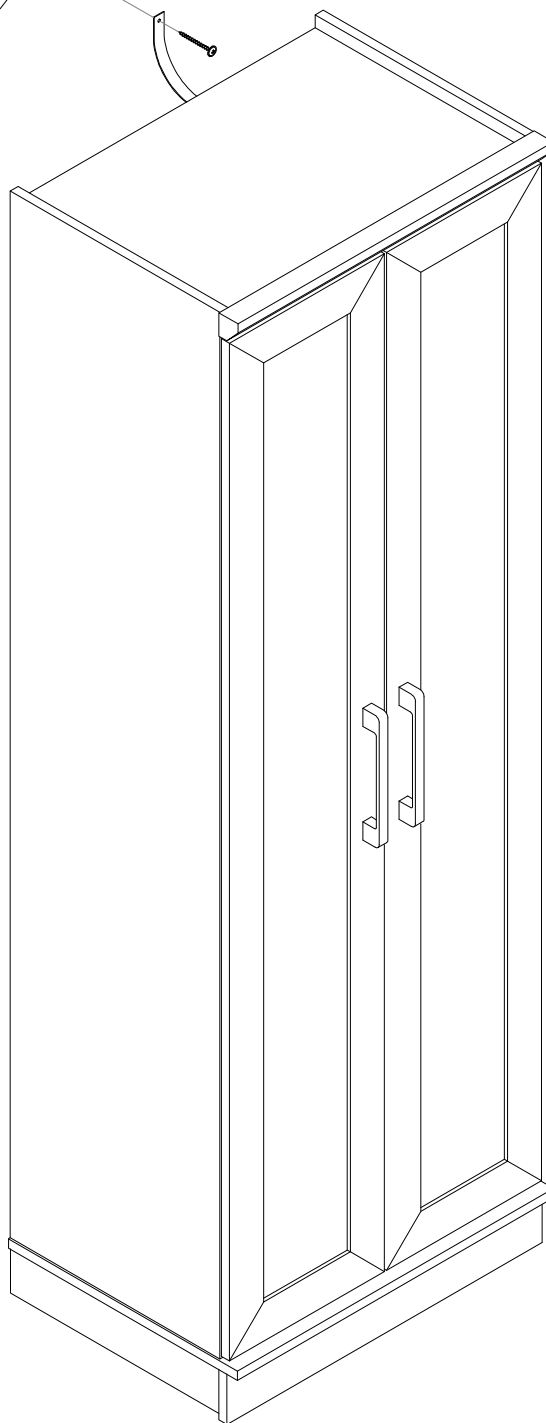
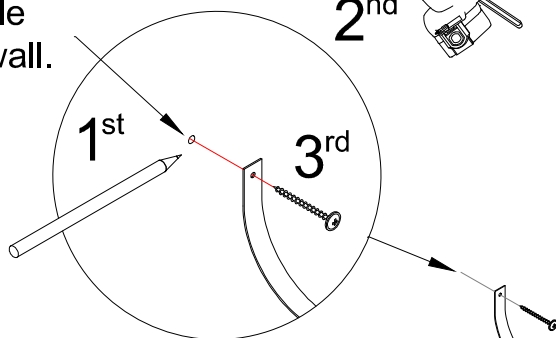


# Step 19

Mark and drill  
a 3/8" hole  
into the wall.

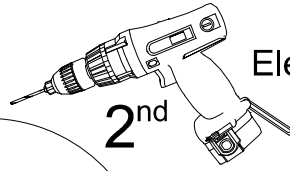


Electric drill with 3/8" bit

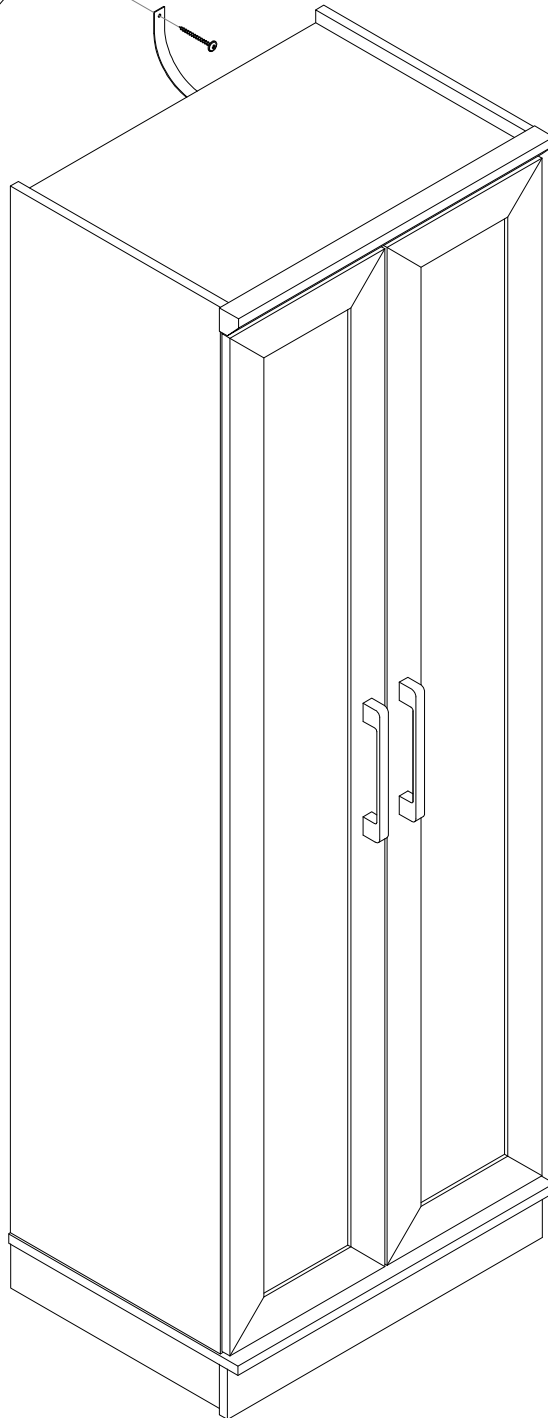
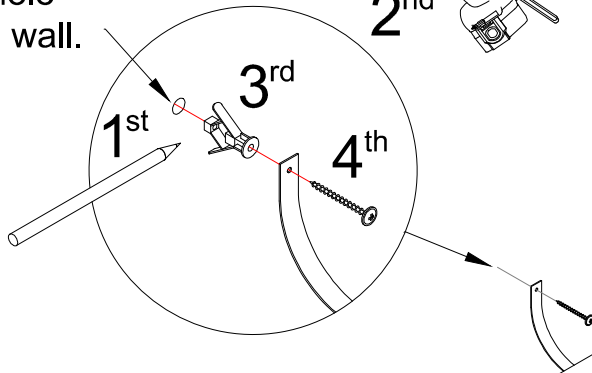


# Step 20

Mark and drill  
a 3/8" hole  
into the wall.



Electric drill with 3/8" bit



# Step 21

