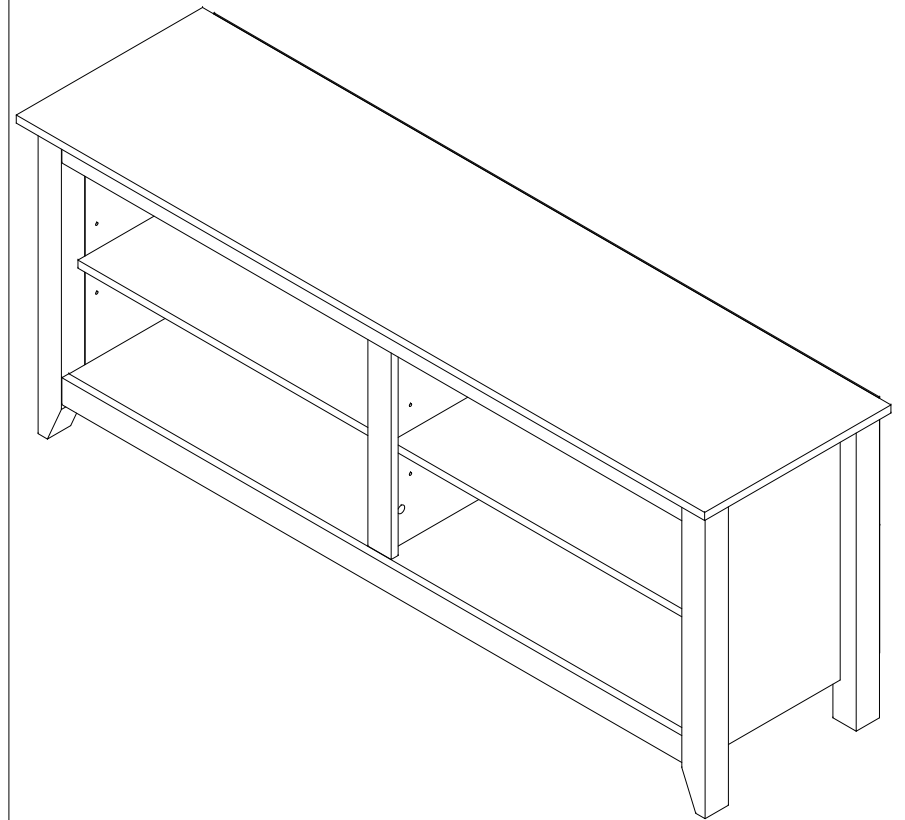
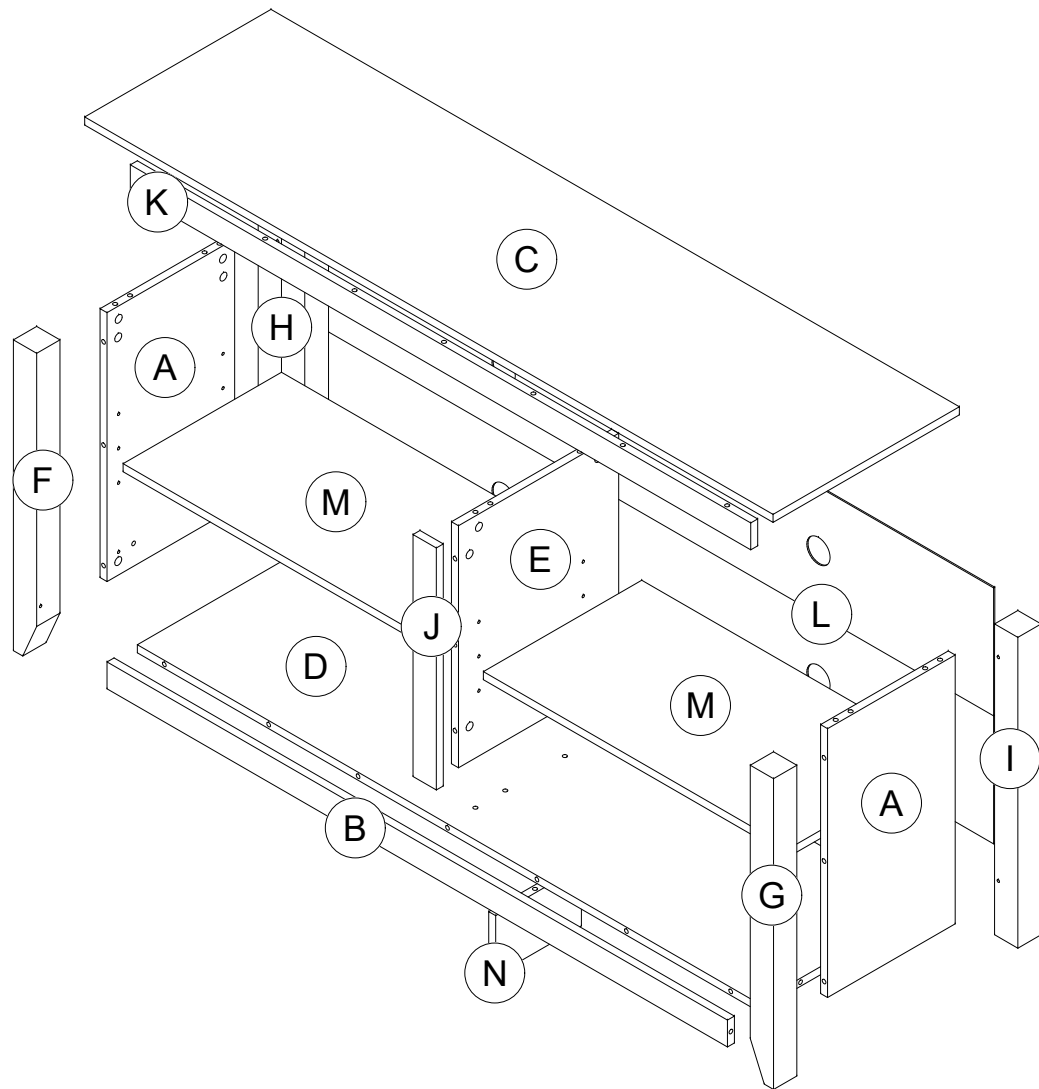


PART LIST

CODE	QTY
A	2
B	1
C	1
D	1
E	1
F	1
G	1
H	1
I	1
J	1
K	1
L	1
M	2
N	1



ASSEMBLY INSTRUCTIONS

DO NOT FULLY TIGHTEN ANY BOLTS BEFORE ALL PARTS ARE LOOSELY ASSEMBLED. THE PRODUCT/FITTINGS MAY BE DAMAGED IF OVERTIGHTENED. BEWARE OF CROSS THREADING SCREWS AND BOLTS DURINGS ASSEMBLY. SMALL COMPONENT PARTS COULD CHOKE A CHILD IF SWALLOWED. WE STRONGLY RECOMMEND THAT YOU KEEP CHILDREN AWAY FROM THE WORK AREA.

97014

HARDWARE LIST

1		Wood Dowel $\phi 8 \times 30 \text{mm}$	22 pcs
2		Minifix Bolt	30 pcs
3		Minifix Cam	30 pcs
4		Screw $\phi 6.3 \times 50 \text{mm}$	4 pcs
5		PVC Nail With Pin	6 pcs
6		Shelf Support $\phi 5 \times 16 \text{mm}$	8 pcs
7		Allen Key M4	1 pc
8		Nail	20 pcs

Minifix Setup :

STEP 1 UNLOCK
 STEP 2
 STEP 3 LOCK

STEP 1

1		22 pcs
2		30 pcs

STEP 2

3		18 pcs
6		8 pcs

STEP 3

3		6 pcs
4		2 pcs
7		1 pc

STEP 4

4		2 pcs
5		6 pcs
7		1 pc

STEP 5

3		6 pcs
---	--	-------

STEP 6

8



20 pcs

STEP 7

