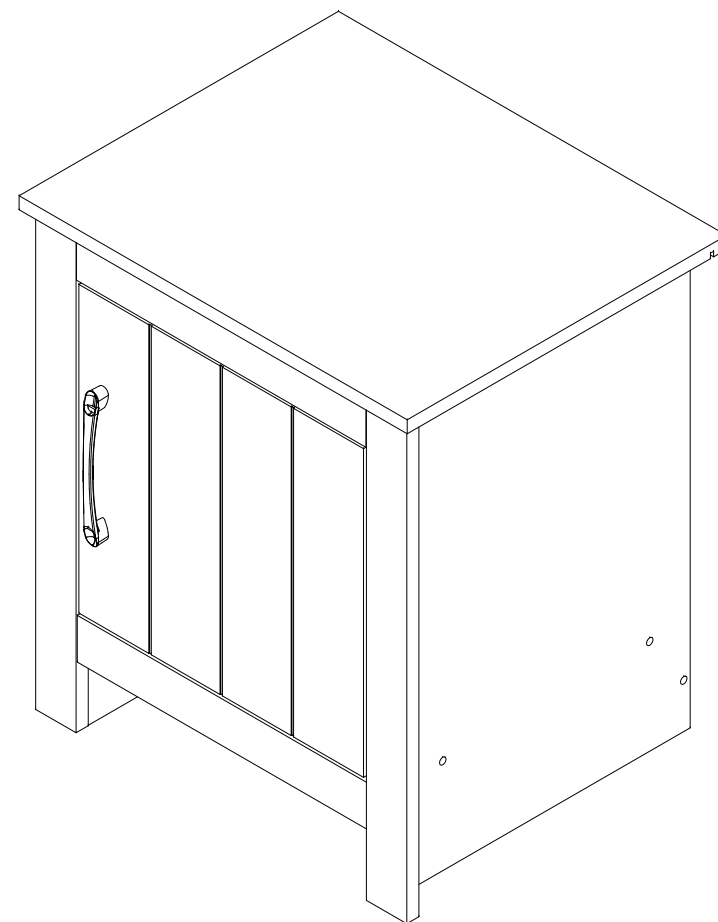
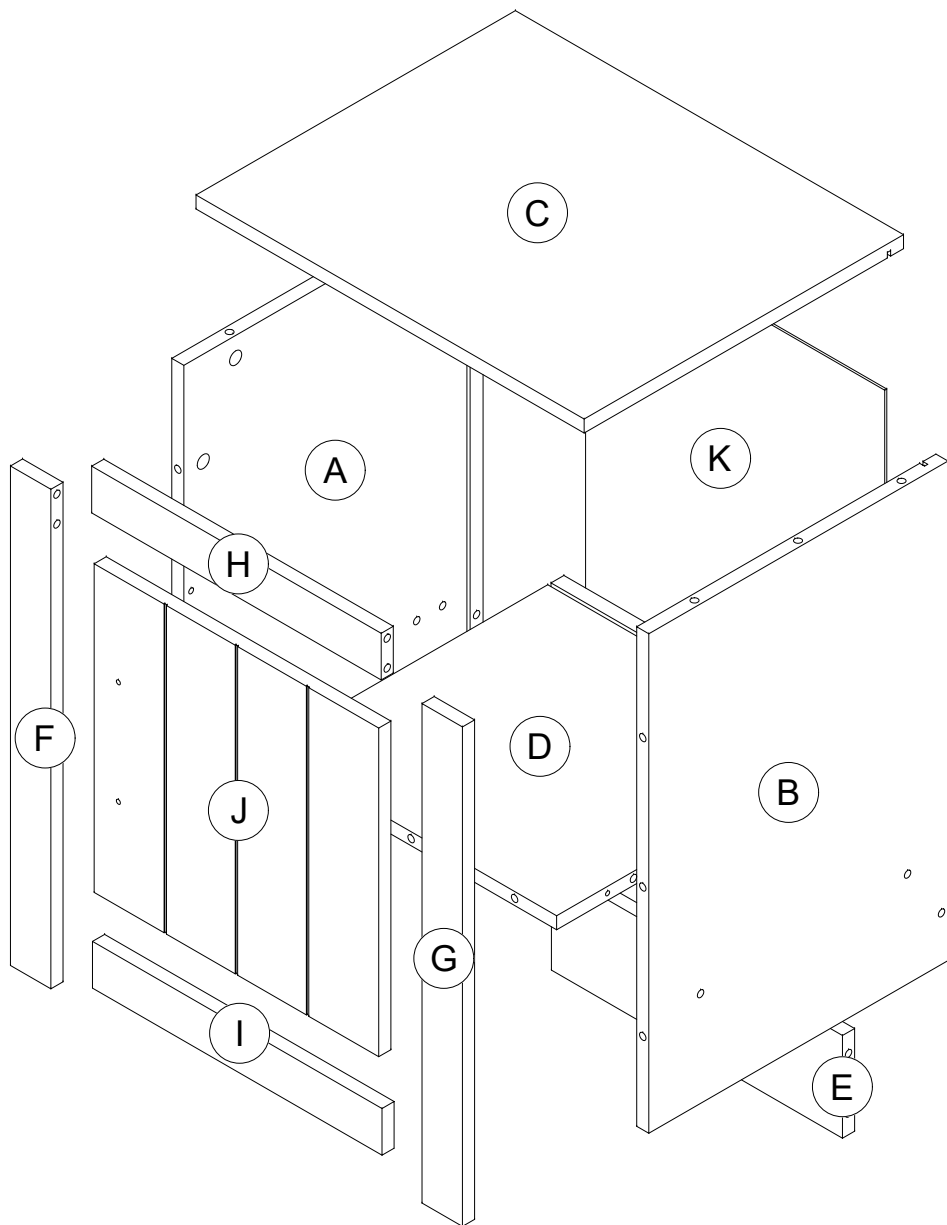


PART LIST

CODE	QTY
A	1
B	1
C	1
D	1
E	1
F	1
G	1
H	1
I	1
J	1
K	1



ASSEMBLY INSTRUCTIONS

DO NOT FULLY TIGHTEN ANY BOLTS BEFORE ALL PARTS ARE LOOSELY ASSEMBLED. THE PRODUCT/FITTINGS MAY BE DAMAGED IF OVERTIGHTENED. BEWARE OF CROSS THREADING SCREWS AND BOLTS DURINGS ASSEMBLY. SMALL COMPONENT PARTS COULD CHOKE A CHILD IF SWALLOWED. WE STRONGLY RECOMMEND THAT YOU KEEP CHILDREN AWAY FROM THE WORK AREA.

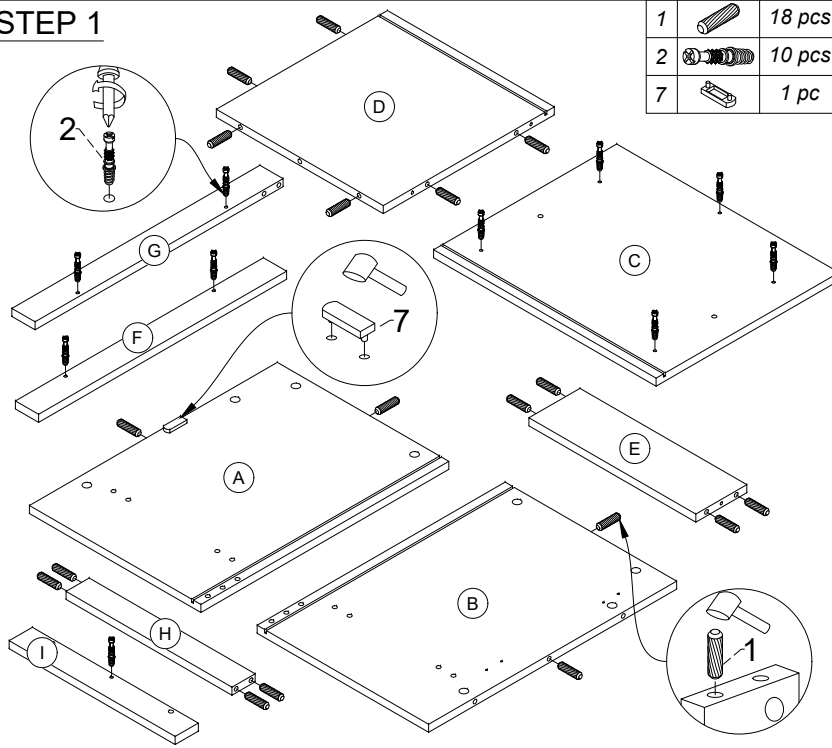
97017

END TABLE

HARDWARE LIST

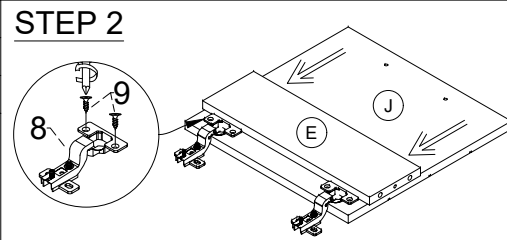
1		Wood Dowel $\phi 8 \times 30 \text{mm}$	18 pcs
2		Minifix Bolt	10 pcs
3		Minifix Cam	10 pcs
4		Screw $\phi 6.3 \times 50 \text{mm}$	6 pcs
5		Allen Key M4	1 pc
6		PVC Nail With Pin	4 pcs
7		PVC Stopper	1 pc
8		Hinges 7/8"	2 pcs
9		Screw $\phi 3.5 \times 16 \text{mm}$	8 pcs
10		Handle - 128mm	1 pc
11		Handle Screw $\phi 4 \times 19 \text{mm}$	2 pcs
12		192 Stub	4 pcs
13		Screw $\phi 3.5 \times 20 \text{mm}$	4 pcs
14		Seal Sticker - 18mm	6 pcs

STEP 1



1		18 pcs
2		10 pcs
7		1 pc

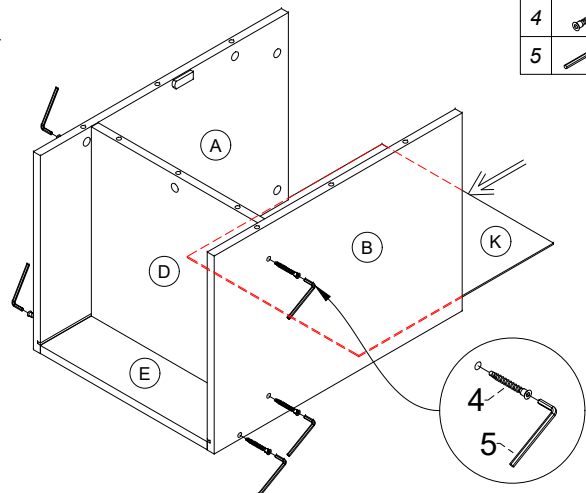
STEP 2



8		2 pcs
9		4 pcs

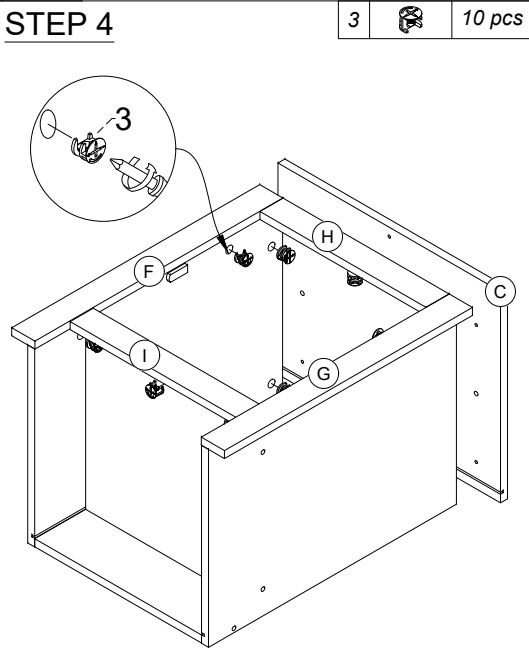
PLEASE PUT ANOTHER BOARD IN ORDER TO ALIGN THE HINGES ACCORDINGLY.

STEP 3



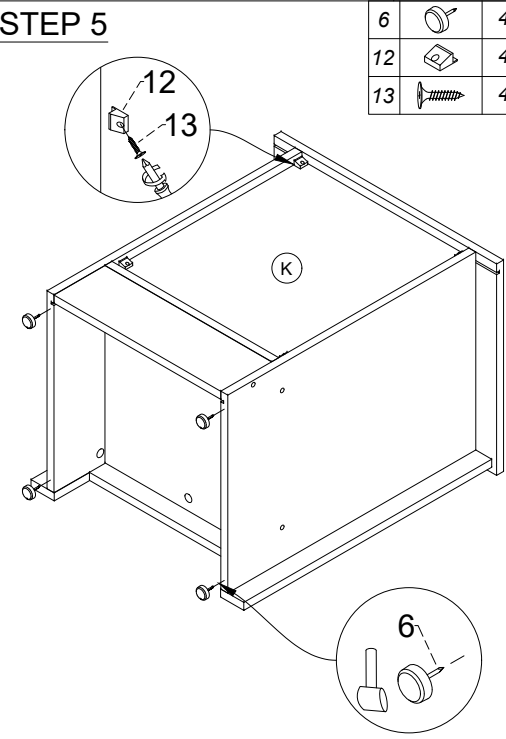
4		6 pcs
5		1 pc

STEP 4



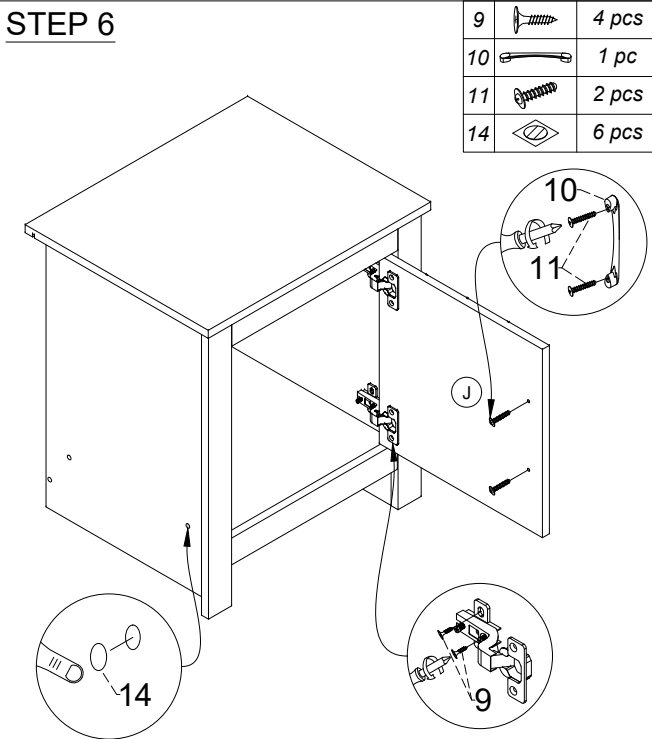
3		10 pcs
---	--	--------

STEP 5



6		4 pcs
12		4 pcs
13		4 pcs

STEP 6



9		4 pcs
10		1 pc
11		2 pcs
14		6 pcs

Minifix Setup :

