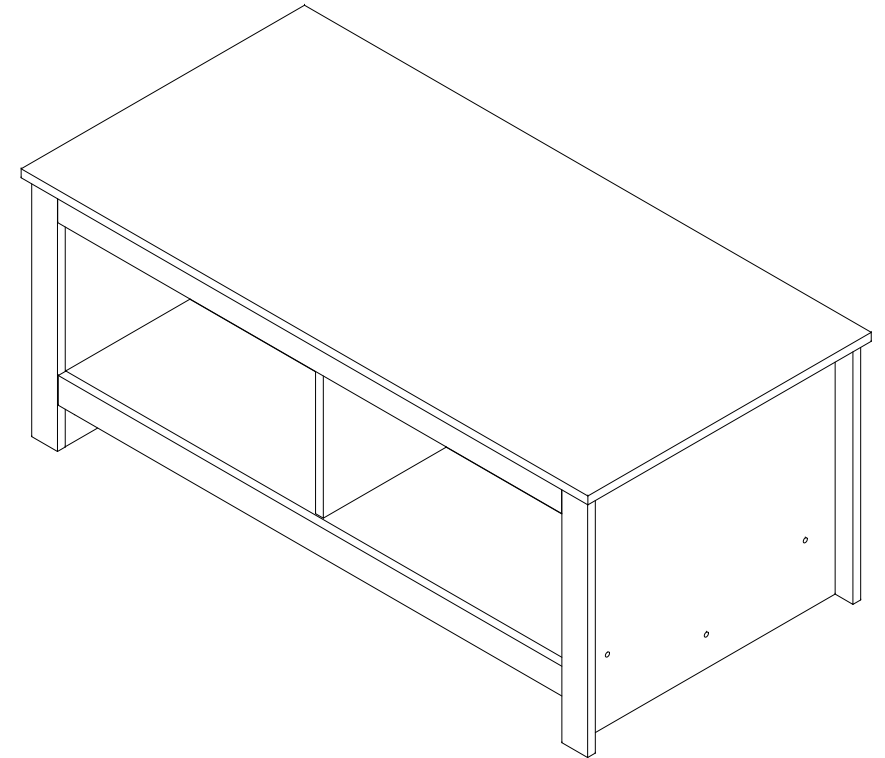
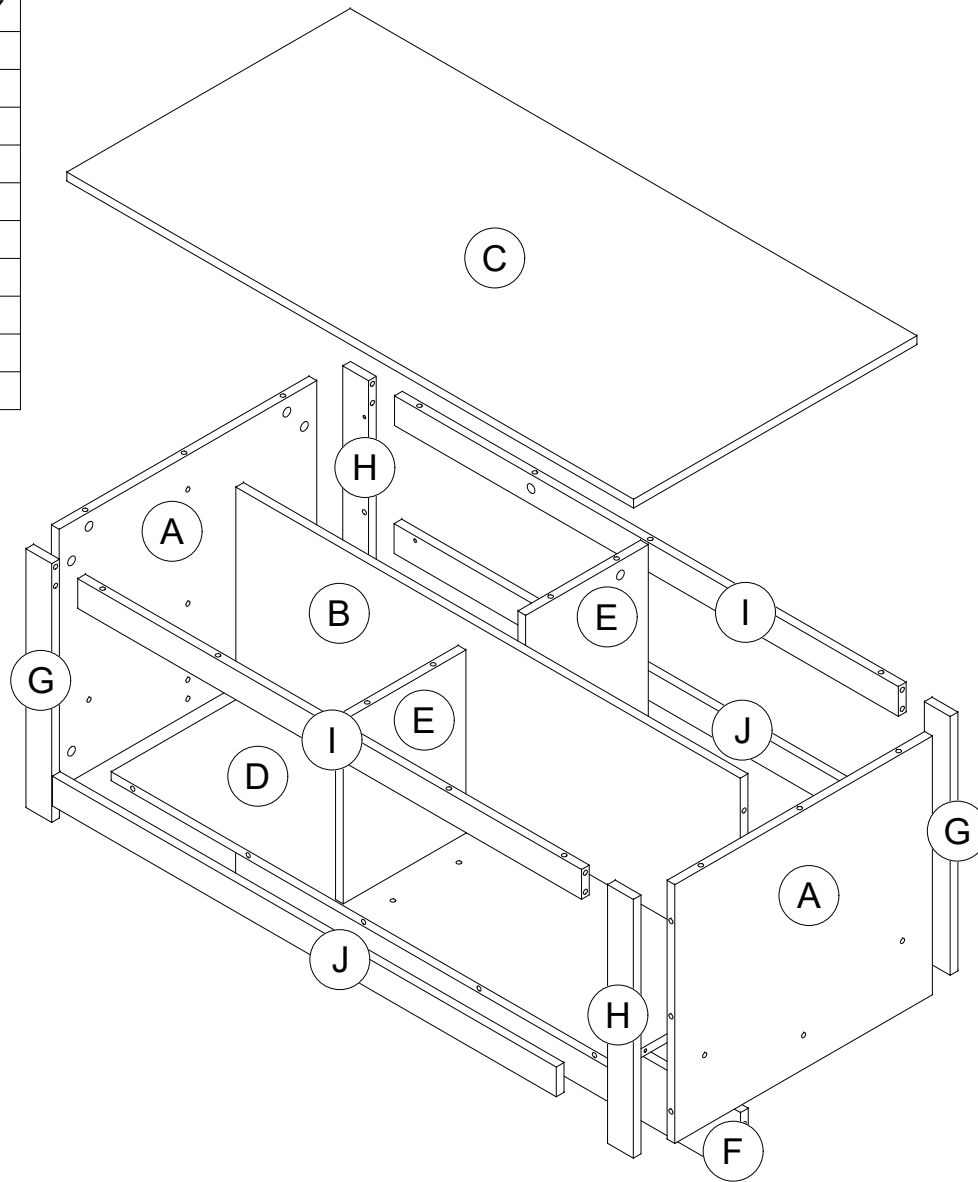


## PART LIST

CODE	QTY
A	2
B	1
C	1
D	1
E	2
F	1
G	2
H	2
I	2
J	2



## ASSEMBLY INSTRUCTIONS

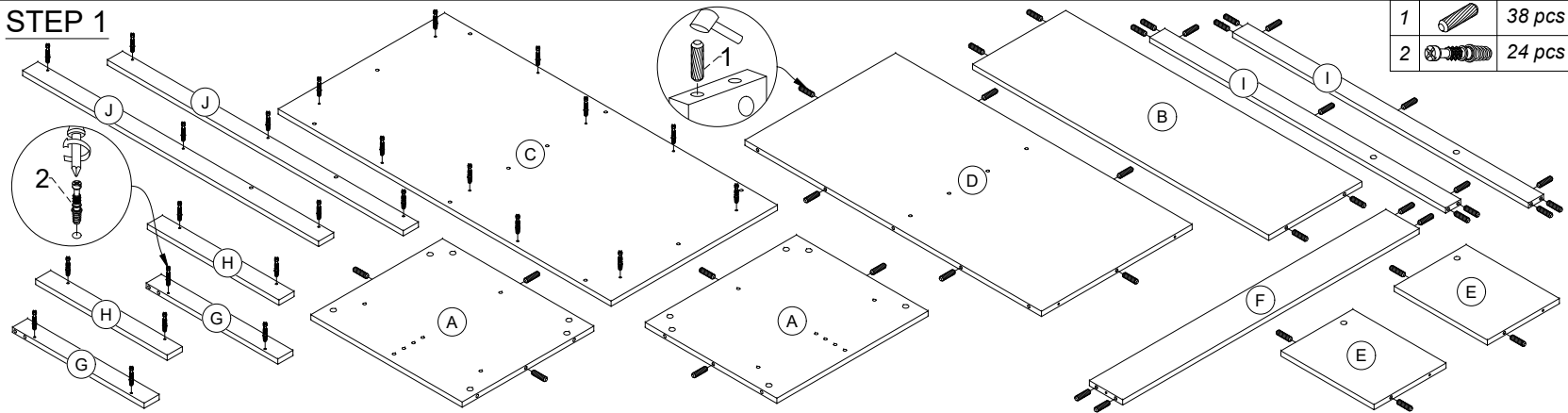
DO NOT FULLY TIGHTEN ANY BOLTS BEFORE ALL PARTS ARE LOOSELY ASSEMBLED. THE PRODUCT/FITTINGS MAY BE DAMAGED IF OVERTIGHTENED. BEWARE OF CROSS THREADING SCREWS AND BOLTS DURINGS ASSEMBLY. SMALL COMPONENT PARTS COULD CHOKE A CHILD IF SWALLOWED. WE STRONGLY RECOMMEND THAT YOU KEEP CHILDREN AWAY FROM THE WORK AREA.

97018  
COFFEE TABLE

# HARDWARE LIST

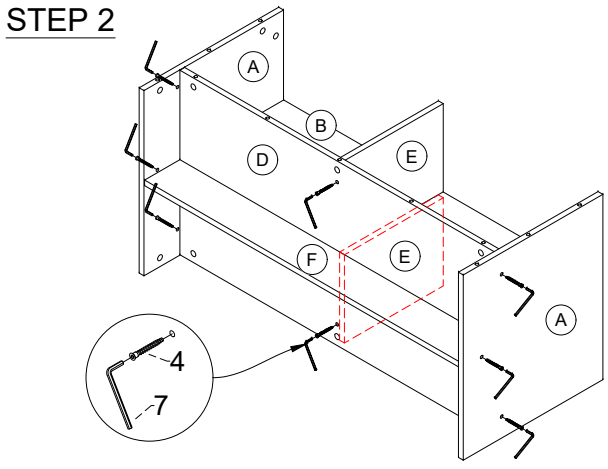
1		Wood Dowel $\phi 8 \times 30 \text{mm}$	38 pcs
2		Minifix Bolt	24 pcs
3		Minifix Cam	24 pcs
4		Screw $\phi 6.3 \times 50 \text{mm}$	8 pcs
5		Seal Sticker - 18mm	6 pcs
6		PVC Nail With Pin	5 pcs
7		Allen Key M4	1 pc
8		Iron L Bracket	1 pc
9		Screw $\phi 3.5 \times 16 \text{mm}$	2 pcs

## STEP 1



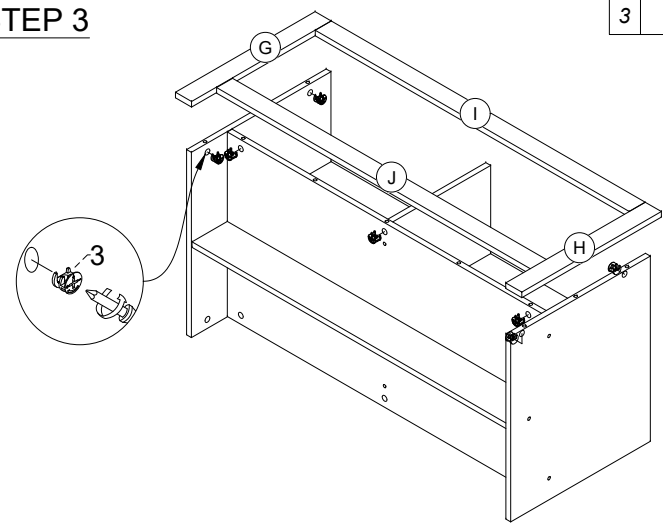
1		38 pcs
2		24 pcs

## STEP 2



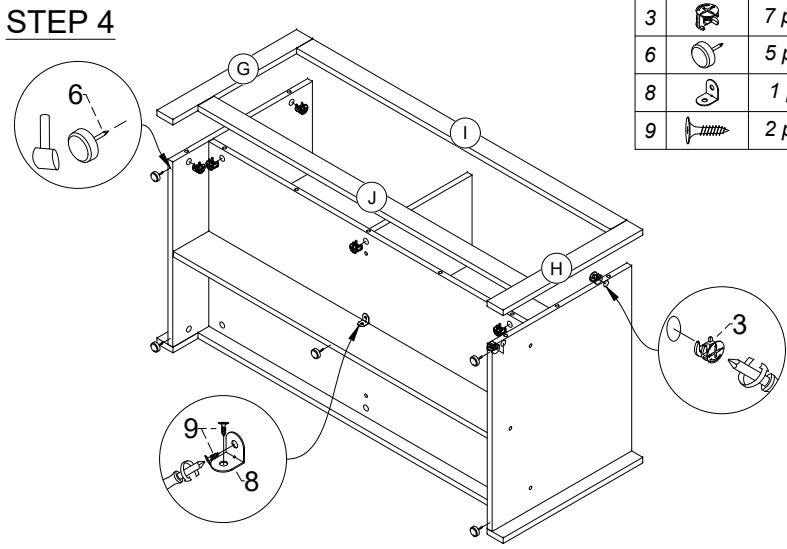
4		8 pcs
7		1 pc

## STEP 3



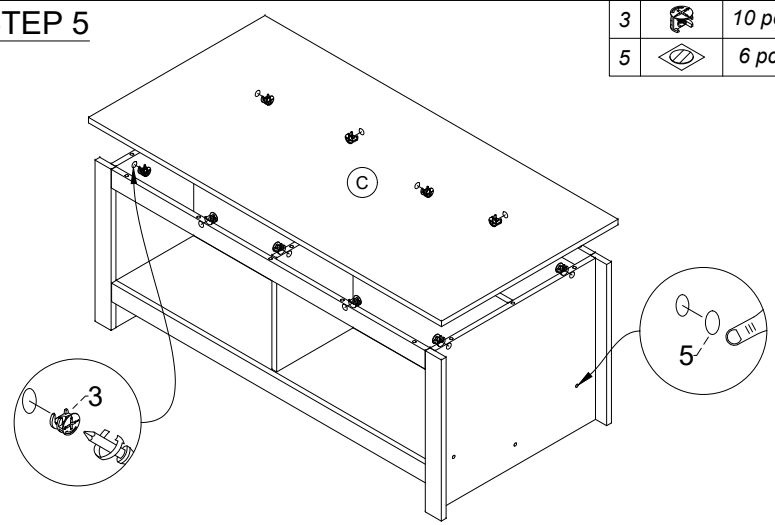
3		7 pcs
---	--	-------

## STEP 4



3		7 pcs
6		5 pcs
8		1 pc
9		2 pcs

## STEP 5



3		10 pcs
5		6 pcs

## Minifix Setup :

