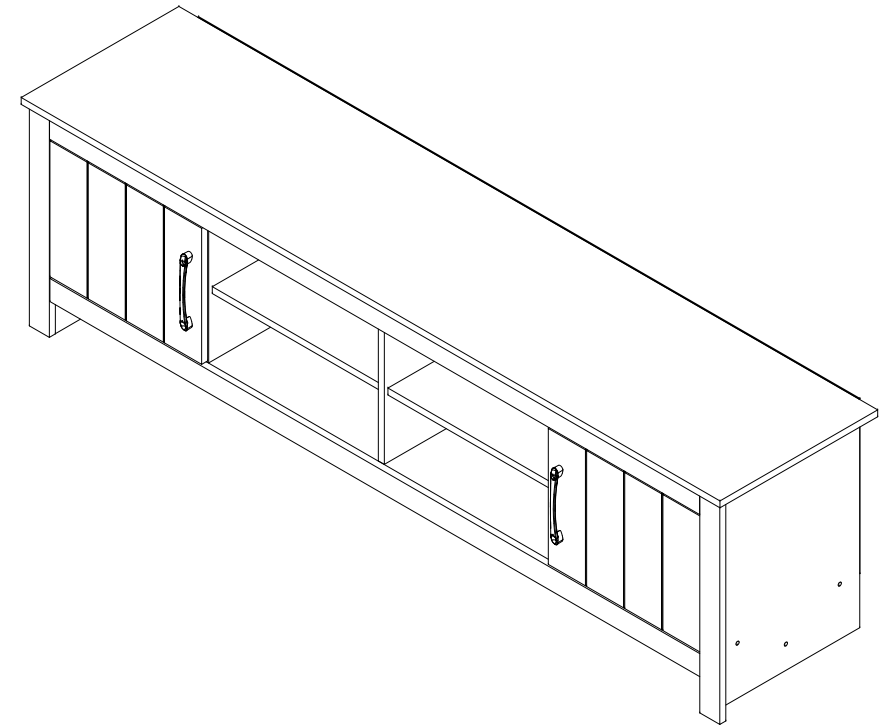
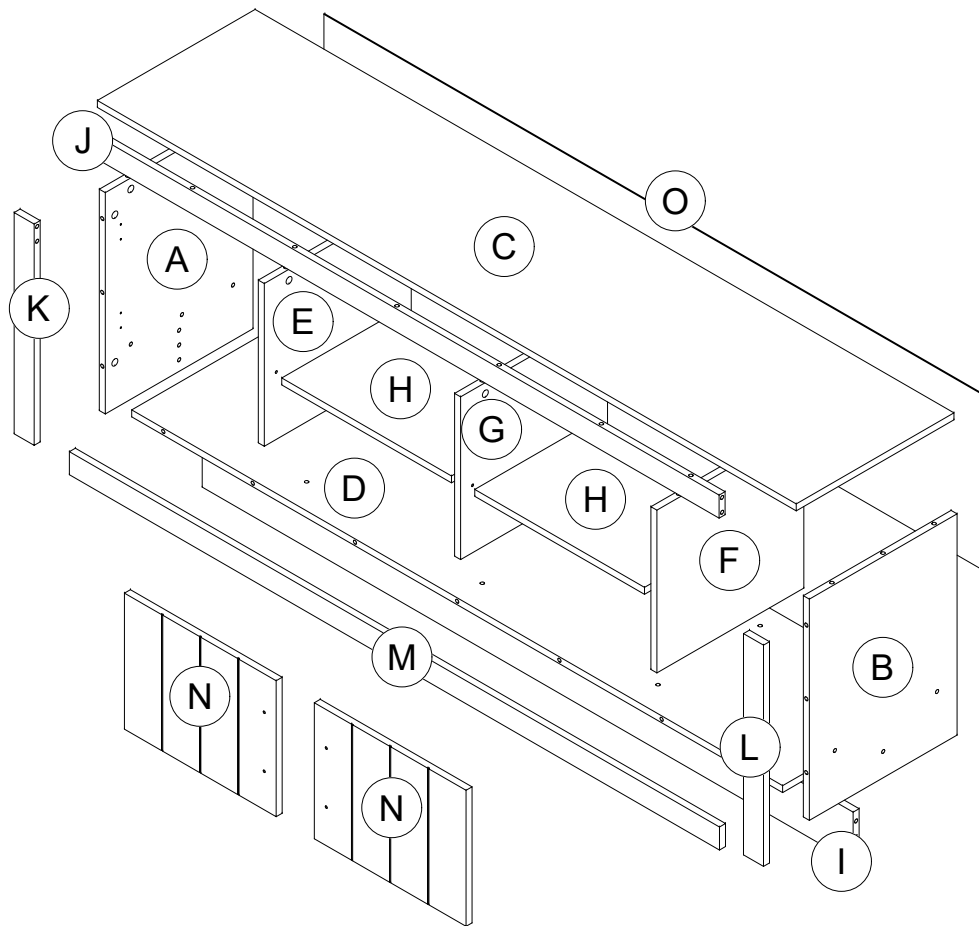


PART LIST

CODE	QTY
A	1
B	1
C	1
D	1
E	1
F	1
G	1
H	2
I	1
J	1
K	1
L	1
M	1
N	2
O	1



ASSEMBLY INSTRUCTIONS

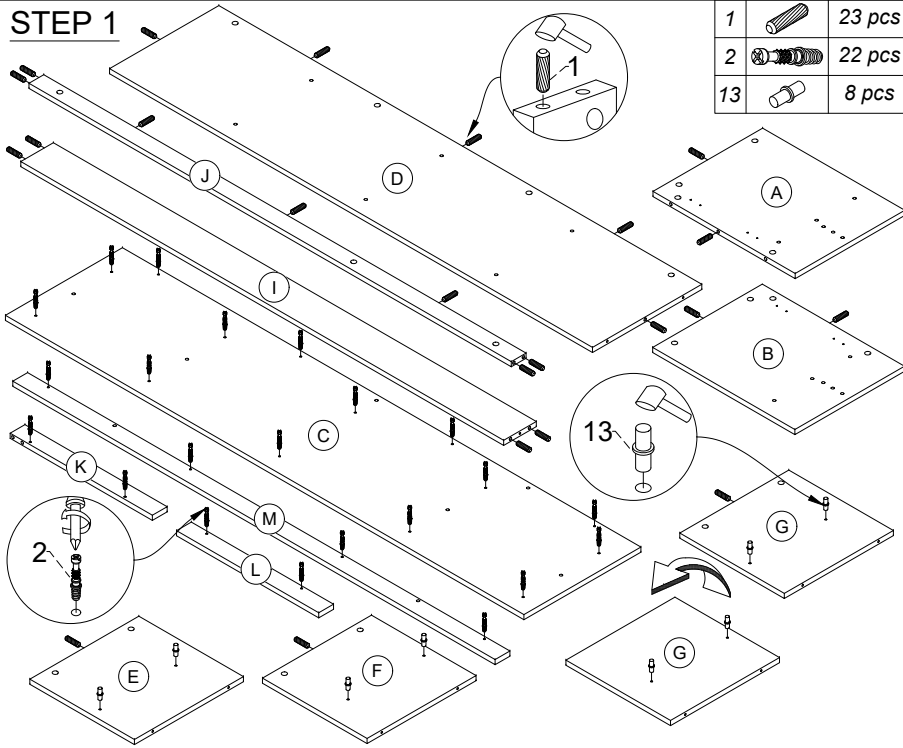
DO NOT FULLY TIGHTEN ANY BOLTS BEFORE ALL PARTS ARE LOOSELY ASSEMBLED. THE PRODUCT/FITTINGS MAY BE DAMAGED IF OVERTIGHTENED. BEWARE OF CROSS THREADING SCREWS AND BOLTS DURINGS ASSEMBLY. SMALL COMPONENT PARTS COULD CHOKE A CHILD IF SWALLOWED. WE STRONGLY RECOMMEND THAT YOU KEEP CHILDREN AWAY FROM THE WORK AREA.

97019
TV CABINET

HARDWARE LIST

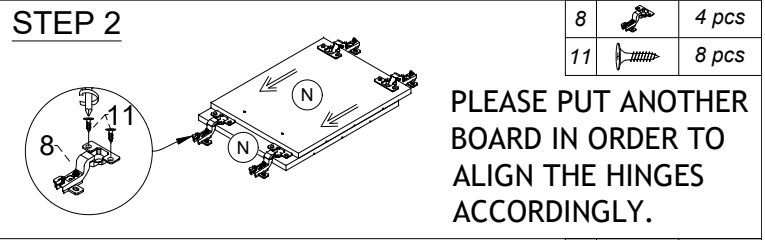
1		Wood Dowel $\phi 8 \times 30 \text{mm}$	23 pcs
2		Minifix Bolt	22 pcs
3		Minifix Cam	22 pcs
4		Screw $\phi 6.3 \times 50 \text{mm}$	12 pcs
5		Seal Sticker - 18mm	6 pcs
6		Handle - 128mm	2 pcs
7		Handle Screw $\phi 4 \times 19 \text{mm}$	4 pcs
8		Hinges 7/8"	4 pcs
9		Nail	22 pcs
10		PVC Nail With Pin	6 pcs
11		Screw $\phi 3.5 \times 16 \text{mm}$	20 pcs
12		Iron L Bracket	2 pcs
13		Shelf Support $\phi 5 \times 16 \text{mm}$	8 pcs
14		Allen Key M4	1 pc

STEP 1



1		23 pcs
2		22 pcs
13		8 pcs

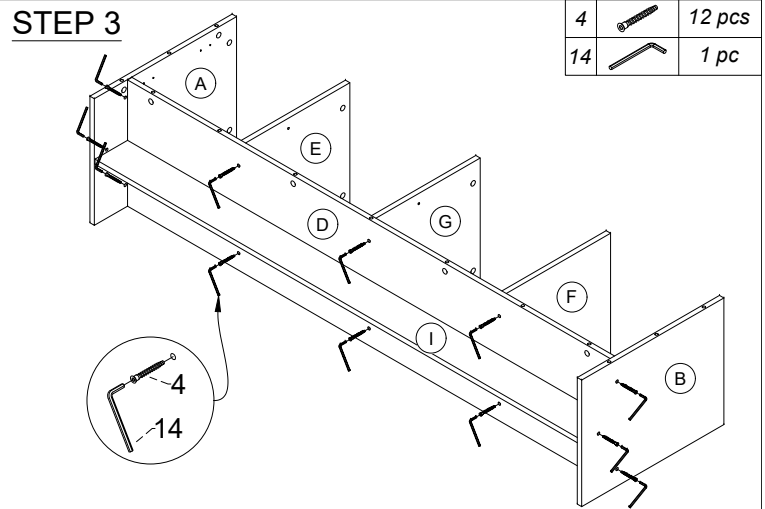
STEP 2



8		4 pcs
11		8 pcs

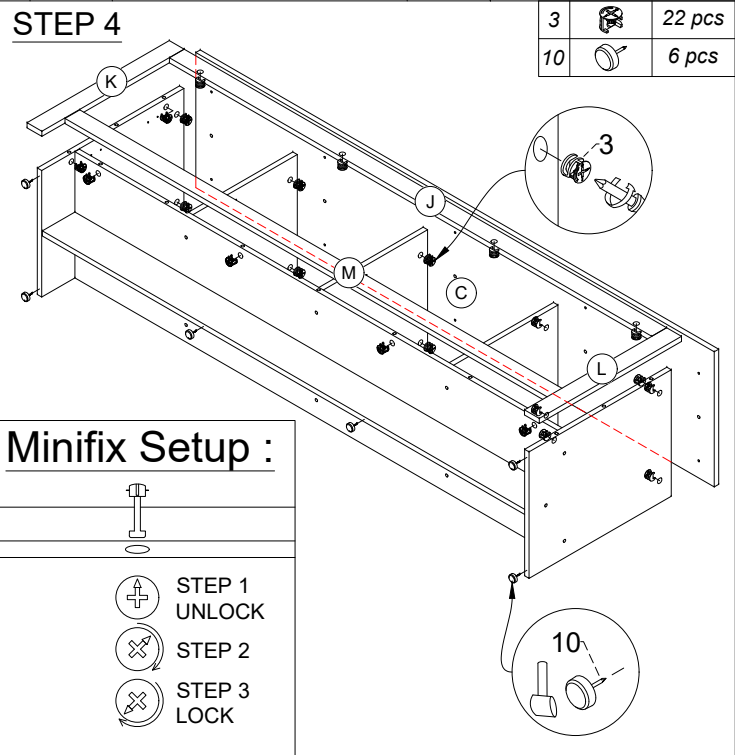
PLEASE PUT ANOTHER BOARD IN ORDER TO ALIGN THE HINGES ACCORDINGLY.

STEP 3



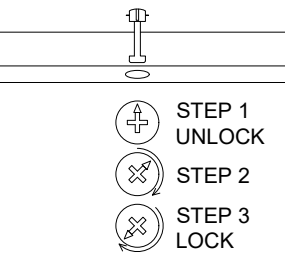
4		12 pcs
14		1 pc

STEP 4

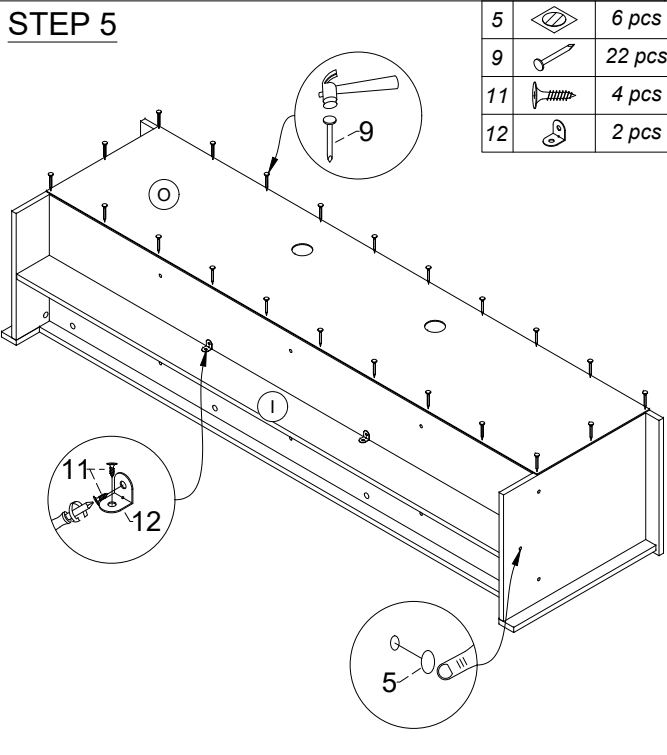


3		22 pcs
10		6 pcs

Minifix Setup :

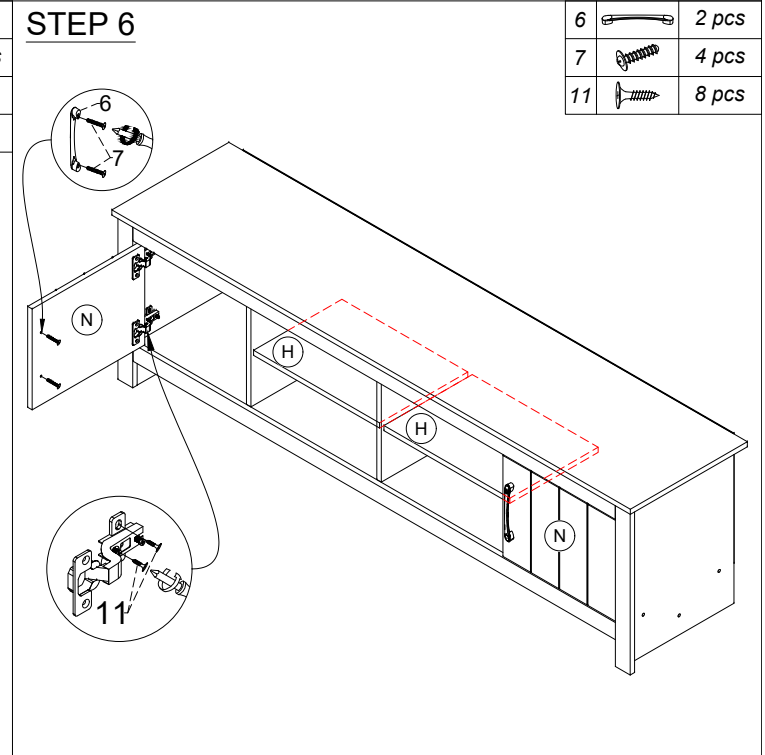


STEP 5



5		6 pcs
9		22 pcs
11		4 pcs
12		2 pcs

STEP 6



6		2 pcs
7		4 pcs
11		8 pcs