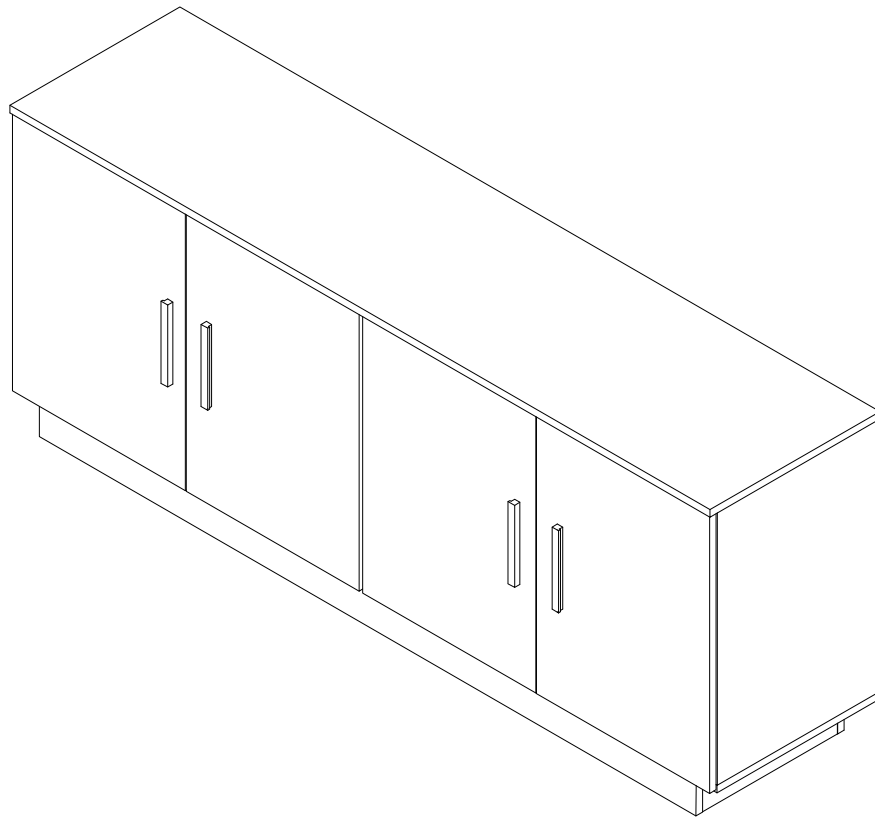


OPERATION MANUAL

HALL CABINET

Model : 97028



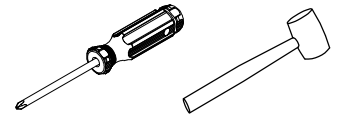
ASSEMBLY INSTRUCTIONS

MODEL : 97028 (HALL CABINET)
REV : 1

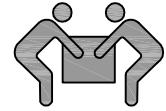
CAUTION :

- BEFORE ASSEMBLING, READ ALL THE INSTRUCTION.
- ENSURE ALL COMPONENTS ARE PLACE ONTO CARDBOARD AS PROTECTION.
- CLEAN SURFACE WITH A DRY OR DAMP SOFT CLOTH.
- DO NOT USE ABRASIVE CLEANERS, DETERGENT OR CHEMICAL.

TOOLS REQUIRED :



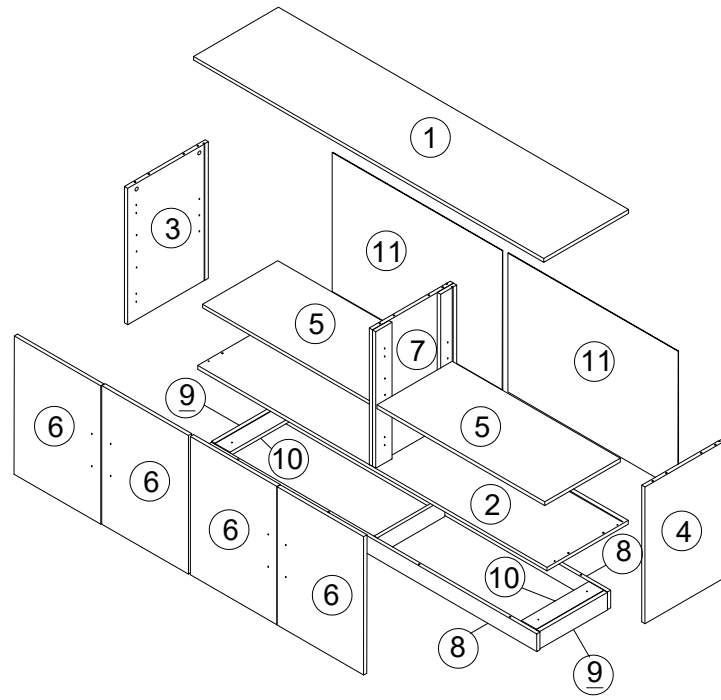
2 PERSON RECOMENDED



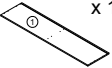

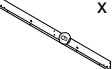
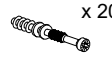
PART LIST

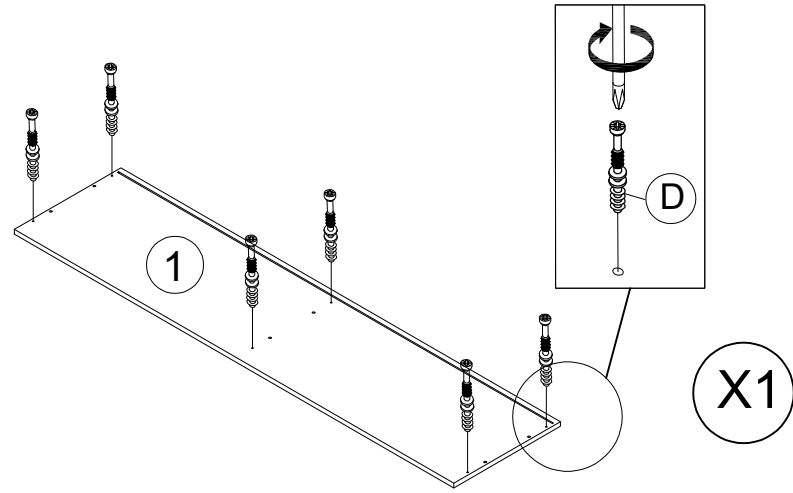
<p>① x 1</p>	<p>② x 1</p>	<p>③ x 1</p>	<p>④ x 1</p>
<p>⑤ x 2</p>	<p>⑥ x 4</p>	<p>⑦ x 1</p>	<p>⑧ x 2</p>
<p>⑨ x 3</p>	<p>⑩ x 2</p>	<p>⑪ x 2</p>	
<p>Ⓐ x 4</p>	<p>Ⓑ x 8</p> <p>TRUSS HEAD M 4X25MM</p>	<p>Ⓒ x 20</p>	<p>Ⓓ x 20</p>
<p>Ⓔ x 26</p> <p>8 X 30MM</p>	<p>Ⓕ x 32</p> <p>CB SCREW M3.5X12MM</p>	<p>Ⓖ x 4</p> <p>CB SCREW M4 X 25MM</p>	<p>Ⓗ x 6</p> <p>CB SCREW M4X32MM</p>
<p>Ⓘ x 8</p>	<p>Ⓙ x 8 SET</p>		

STEP 1

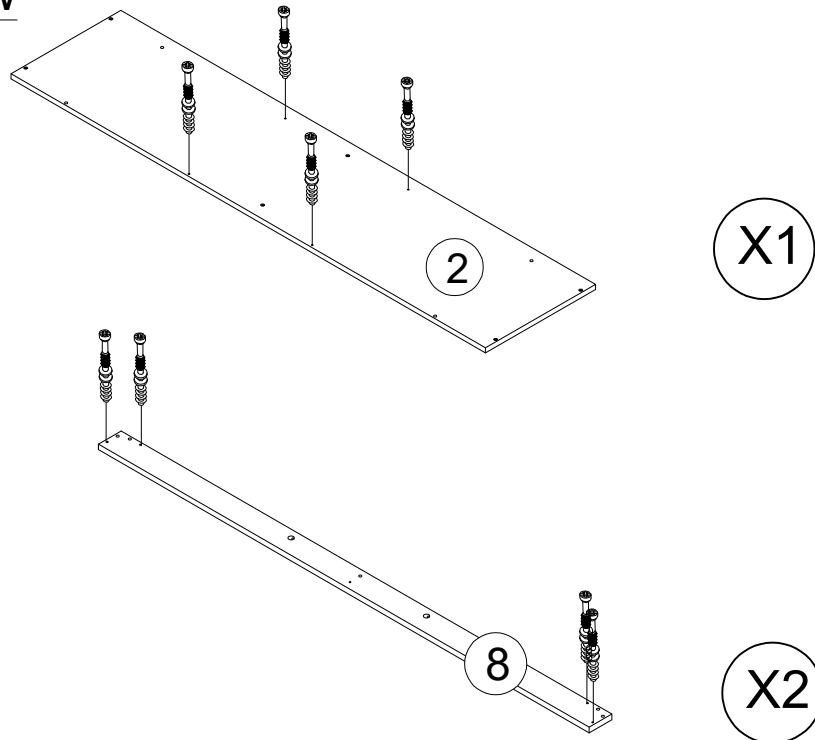


STEP 2

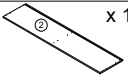

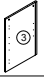


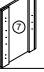
1		x 1
2		x 1
8		x 2
D		x 20

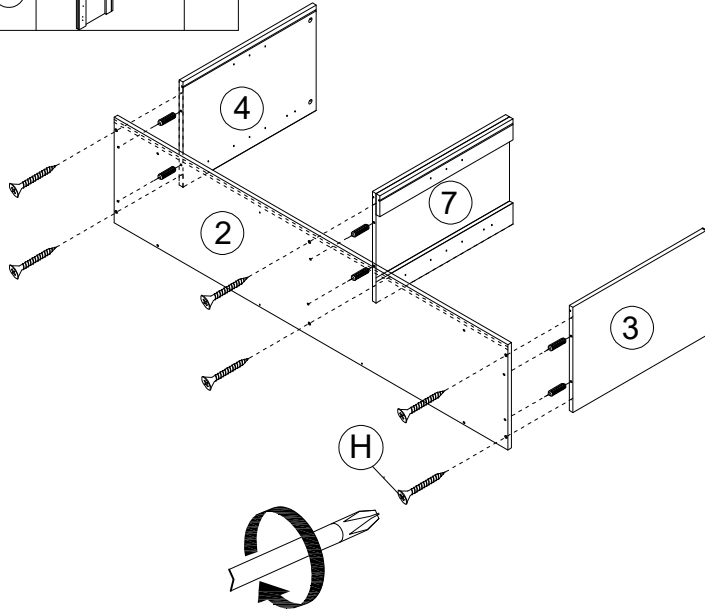


bottom view


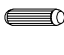
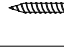


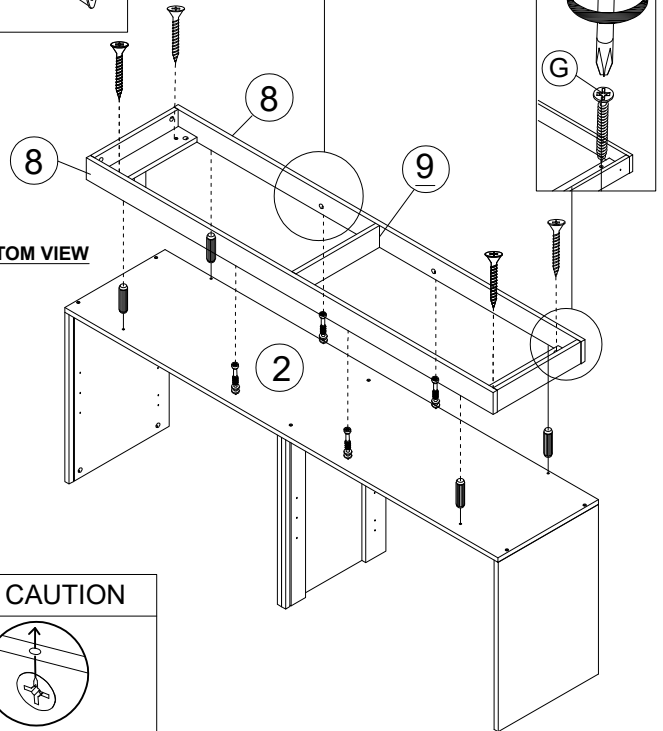
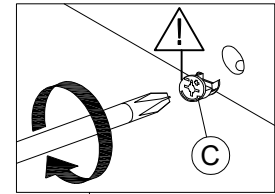
STEP 3

②	 x 1	(E)	 x 6
③	 x 1	(H)	 x 6
④	 x 1		
⑦	 x 1		

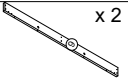


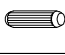



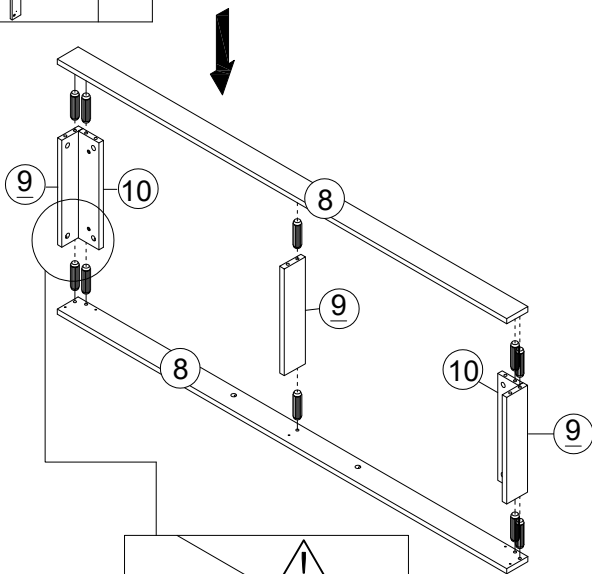
STEP 5

(C)	 x 4
(E)	 x 4
(G)	 x 4

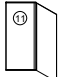


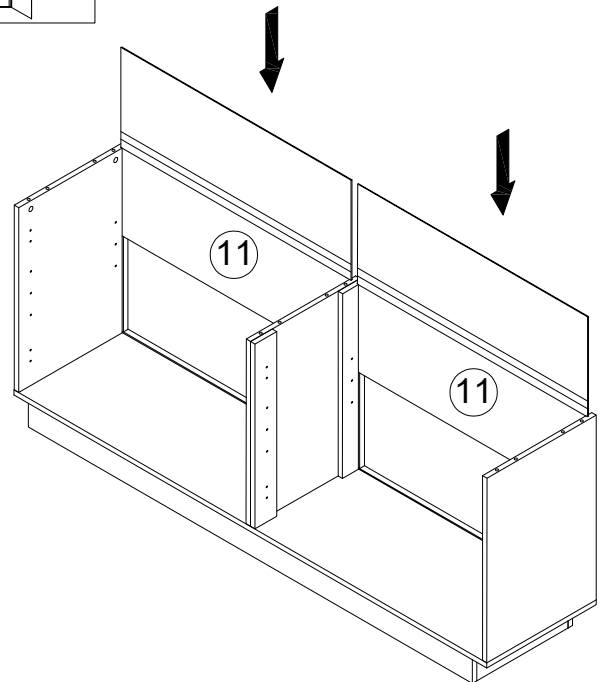
STEP 4

⑧	 x 2	(C)	 x 10
⑨	 x 3	(E)	 x 10
⑩	 x 2		

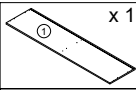

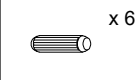


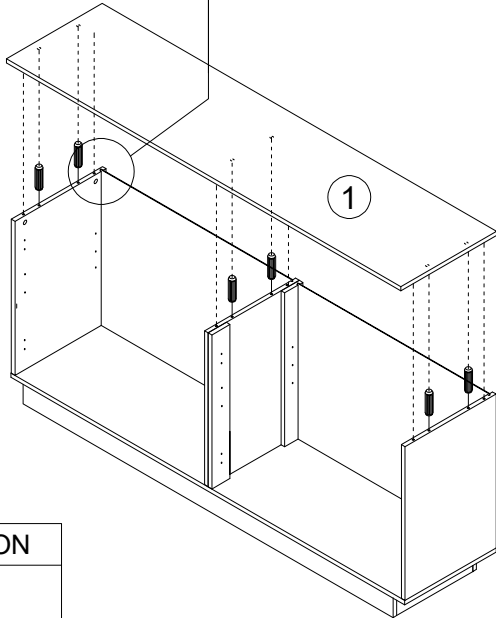
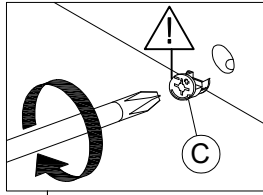
STEP 6

⑪	 x 2
---	---

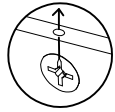


STEP 7

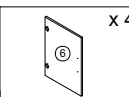
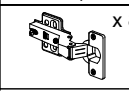
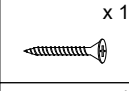
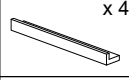

- | | |
|---|---|
| ① |  x 1 |
| Ⓒ |  x 6 |
| Ⓔ |  x 6 |

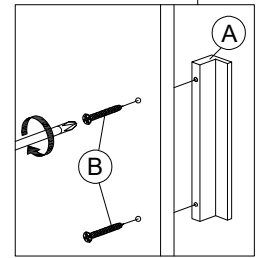
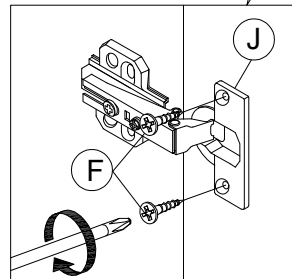
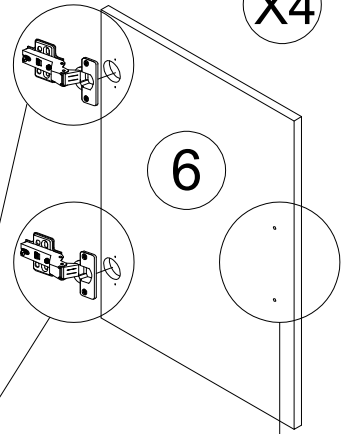


CAUTION

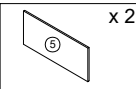
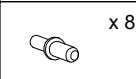


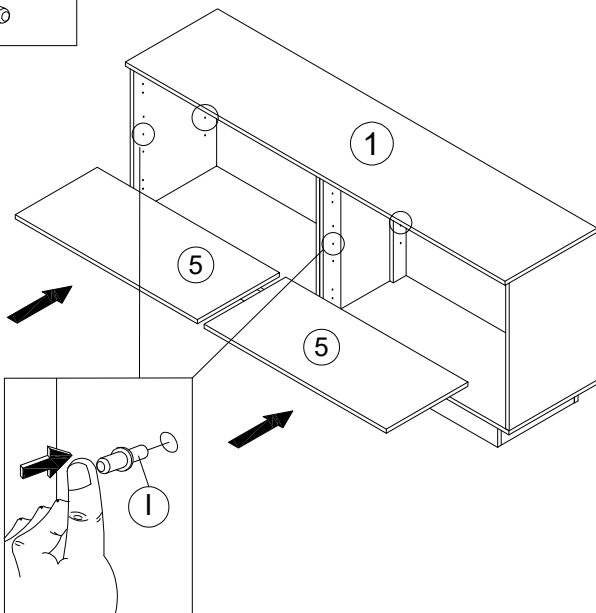
STEP 9

- | | |
|---|--|
| ⑥ |  x 4 |
| Ⓙ |  x 8 |
| Ⓕ |  x 16 |
| Ⓐ |  x 4 |
| Ⓑ |  x 8 |

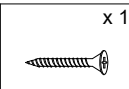


STEP 8

- | | |
|---|---|
| ⑤ |  x 2 |
| Ⓛ |  x 8 |



STEP 10

- | | |
|---|--|
| Ⓕ |  x 16 |
|---|--|

X4

