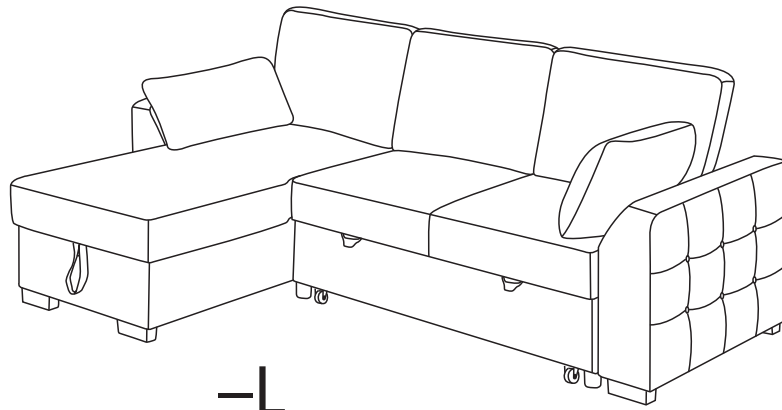
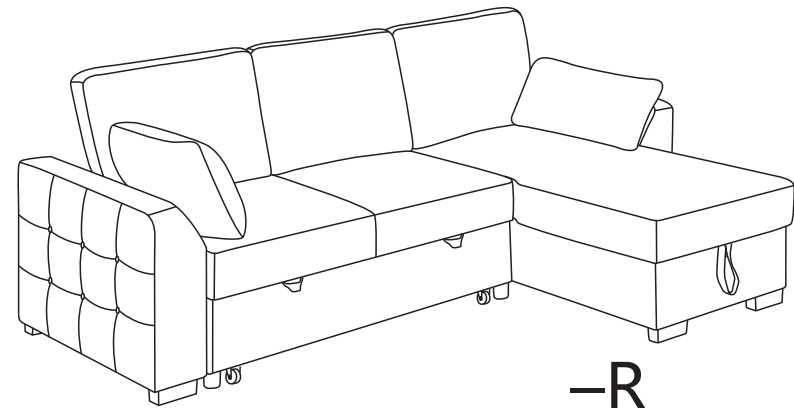


ASSEMBLY INSTRUCTION

ITEM NO.:A81440/A81441/A81442

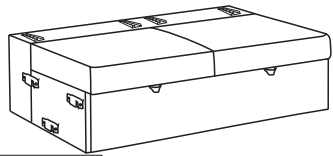


-L



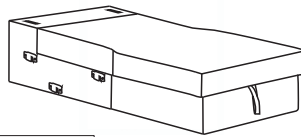
-R

PARTS LIST



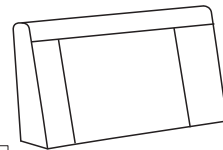
A

X1



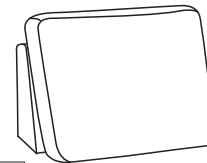
B

X1



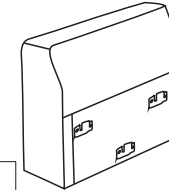
C

X2



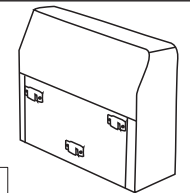
D

X1



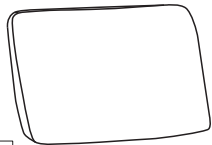
E

X1



F

X1



G

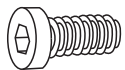
X2



H

X2

HARDWARE LIST



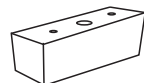
M6X25

1 X8



M4

2 X1

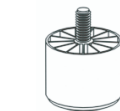


130x60x50mm

3 X6

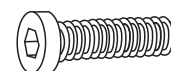


4 X4



∅60x50mm

5 X6



M8X60

6 X6



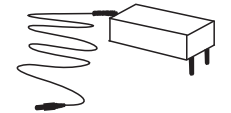
M5

7 X1



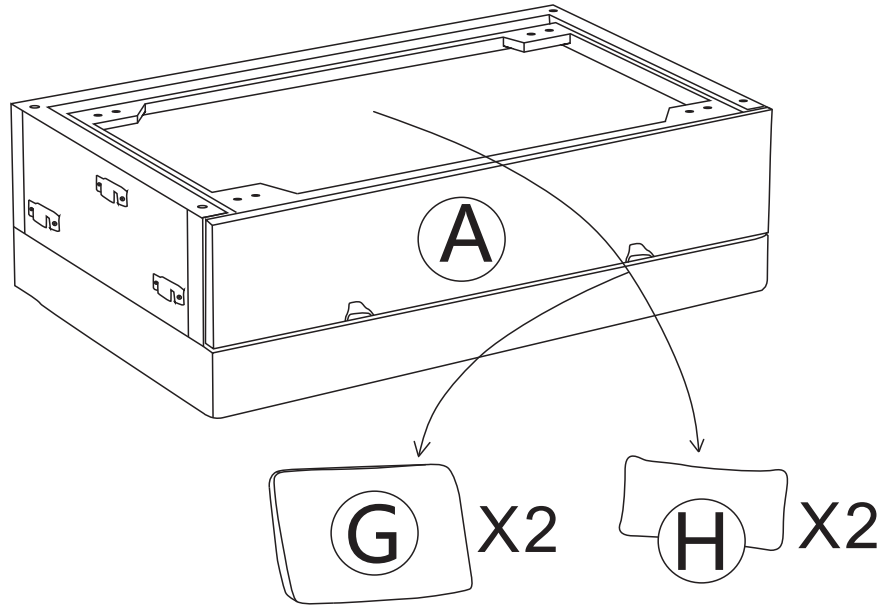
M5X50

8 X12

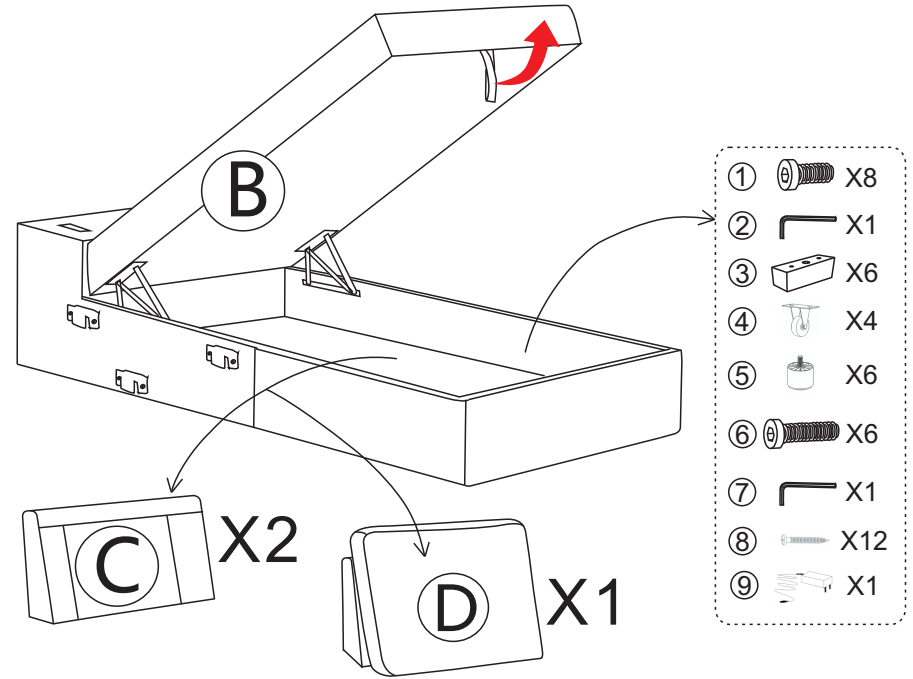


9 X1

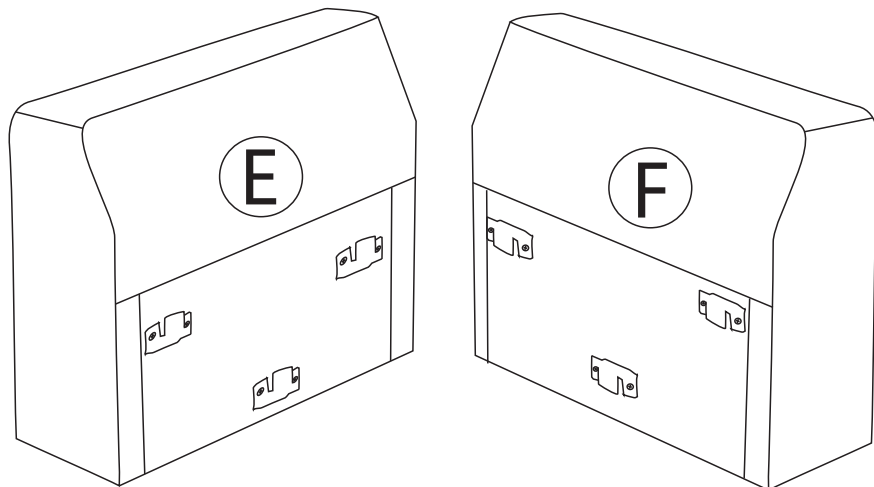
BOX -1 HARDWARE LIST



BOX -2 HARDWARE LIST



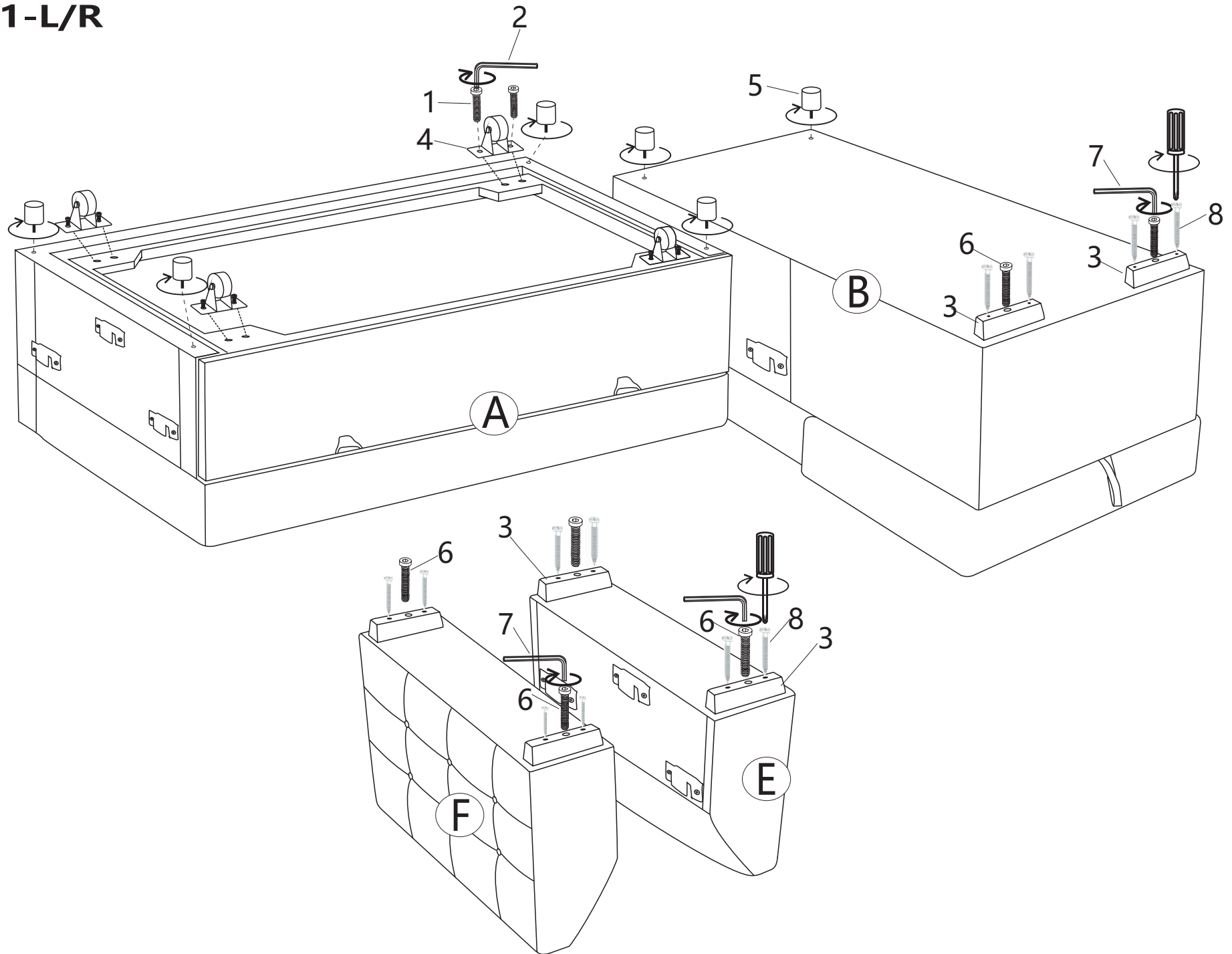
BOX -3 HARDWARE LIST



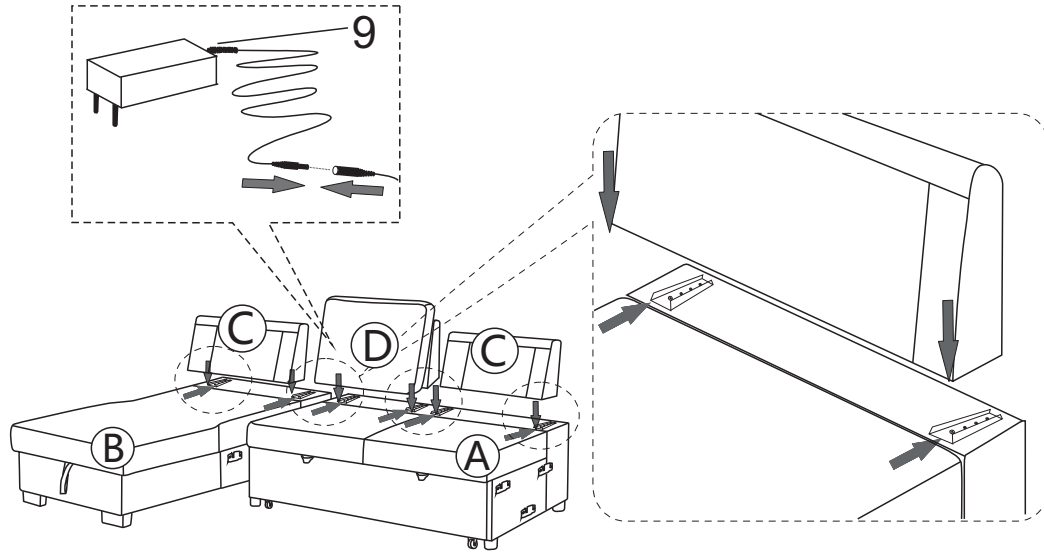
Unpacking steps:

1. BOX-2
2. BOX-1
3. BOX-3

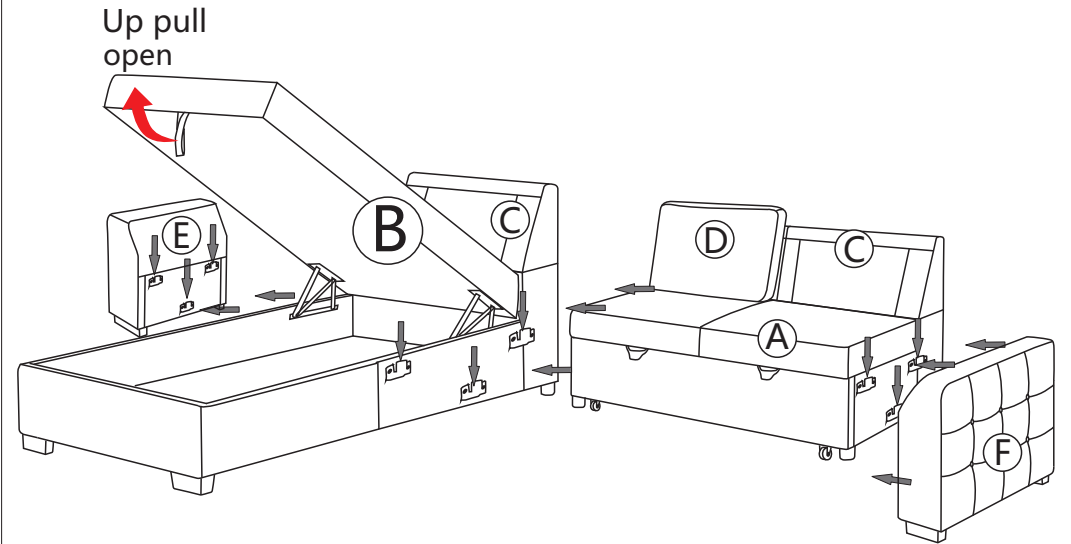
Step1-L/R



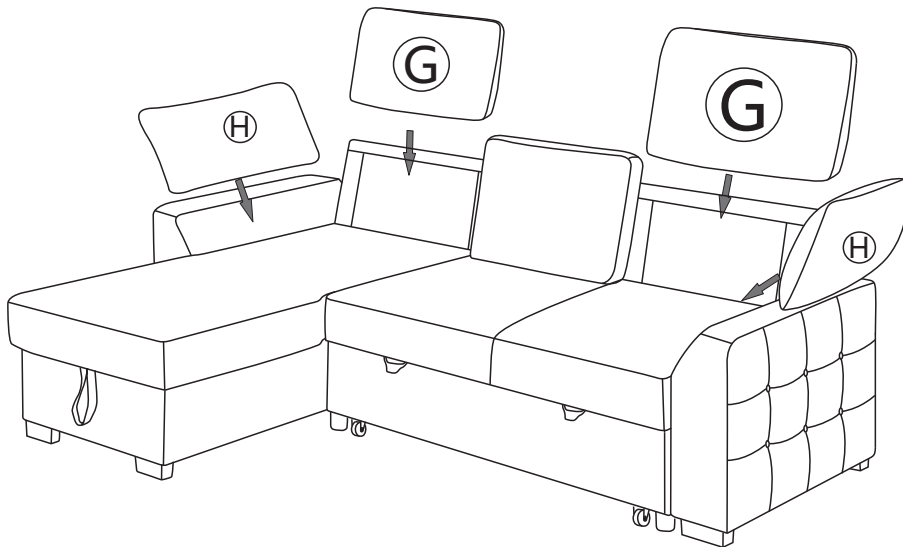
Step2-L



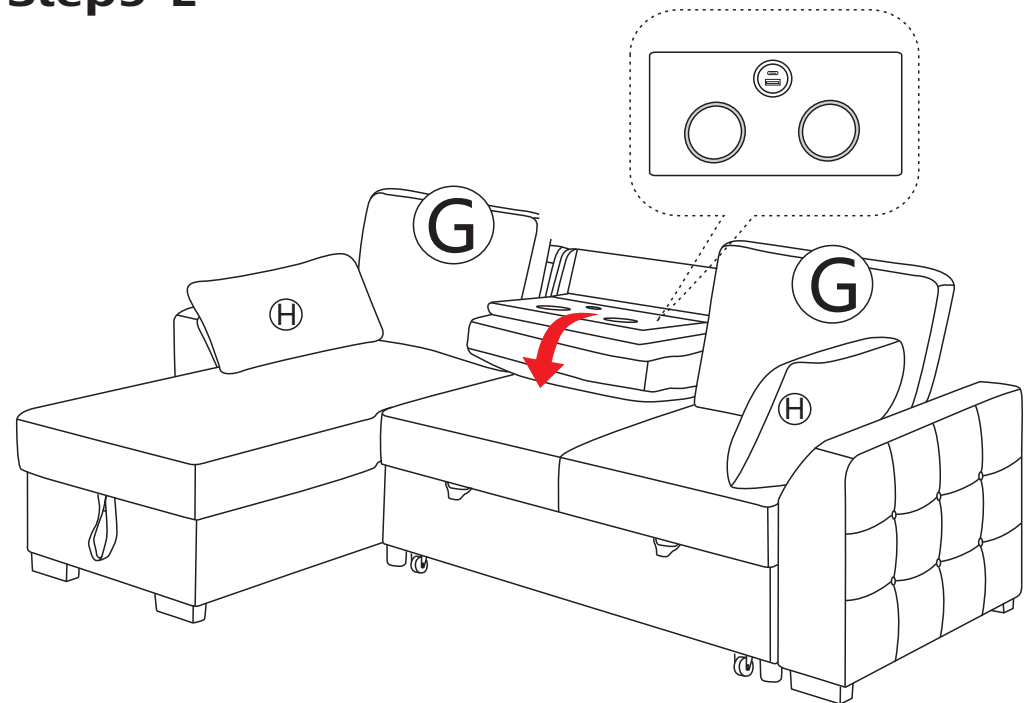
Step3-L



Step4-L

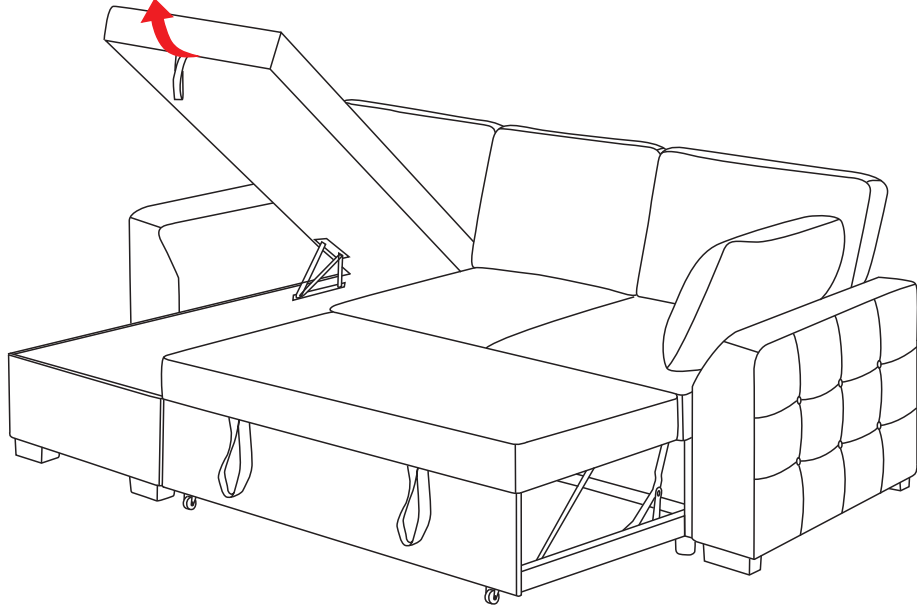


Step5-L

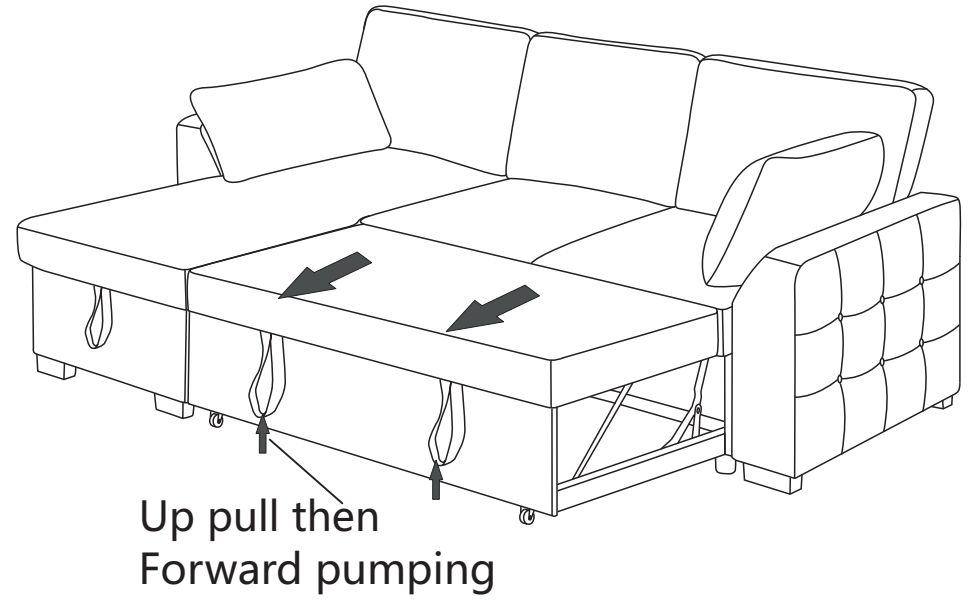


Step6-L

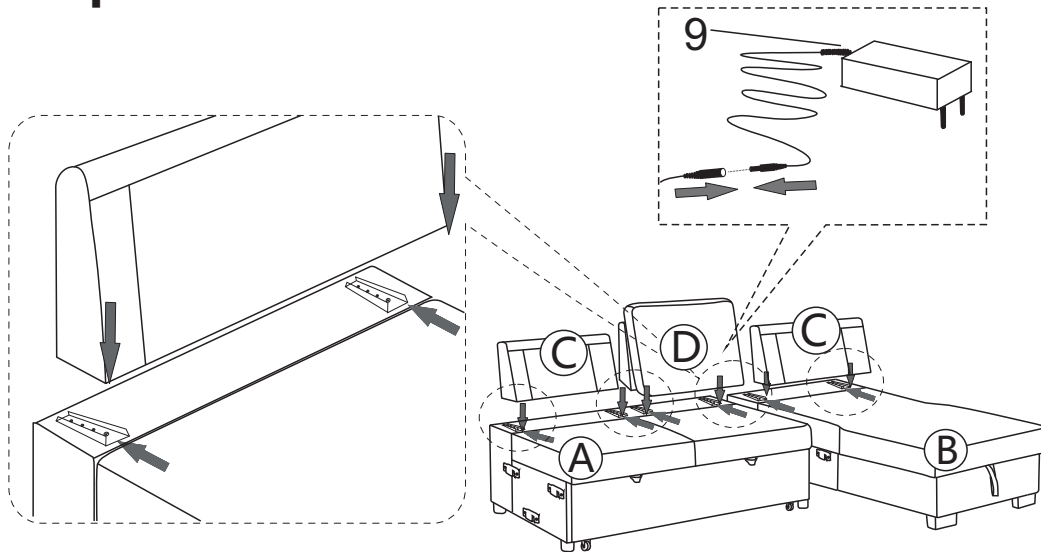
Up pull
open



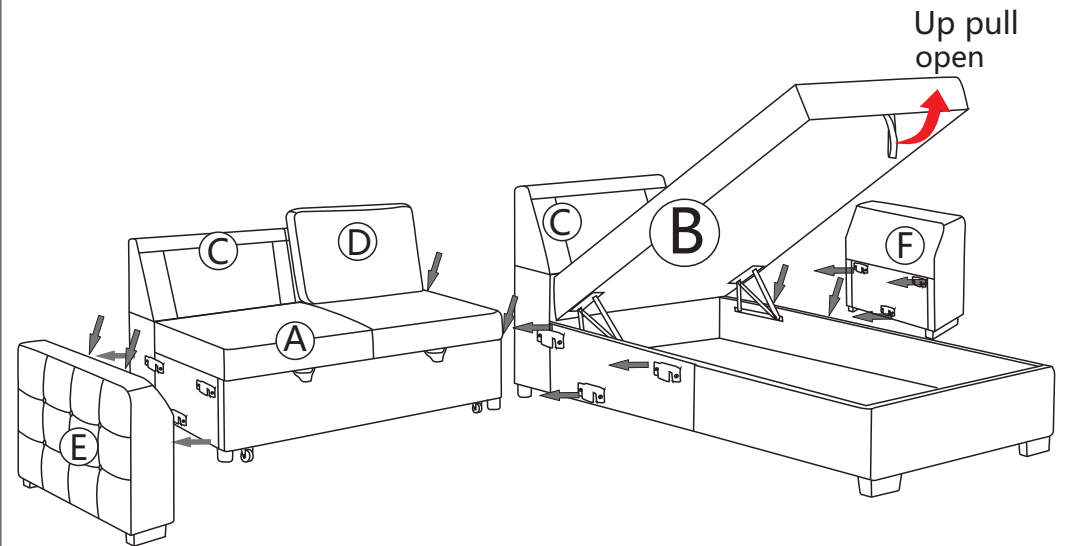
Step7-L



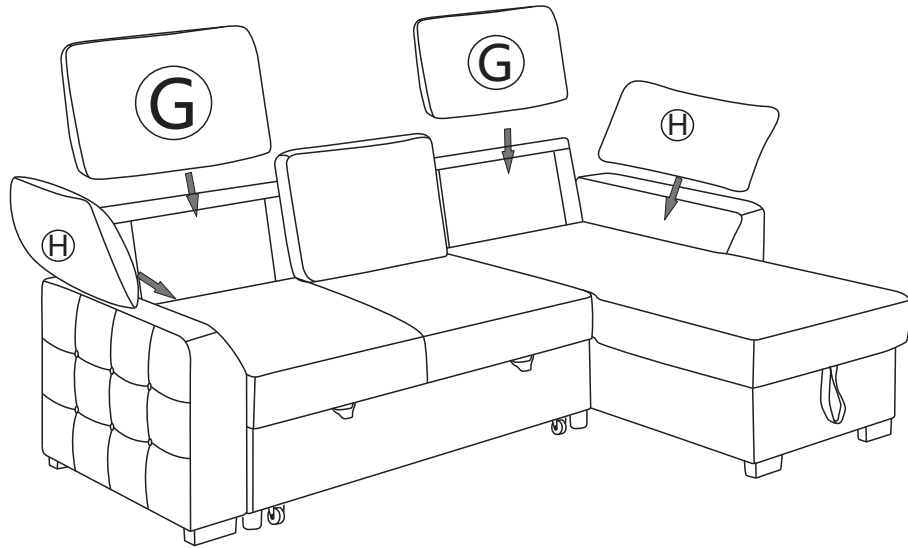
Step2-R



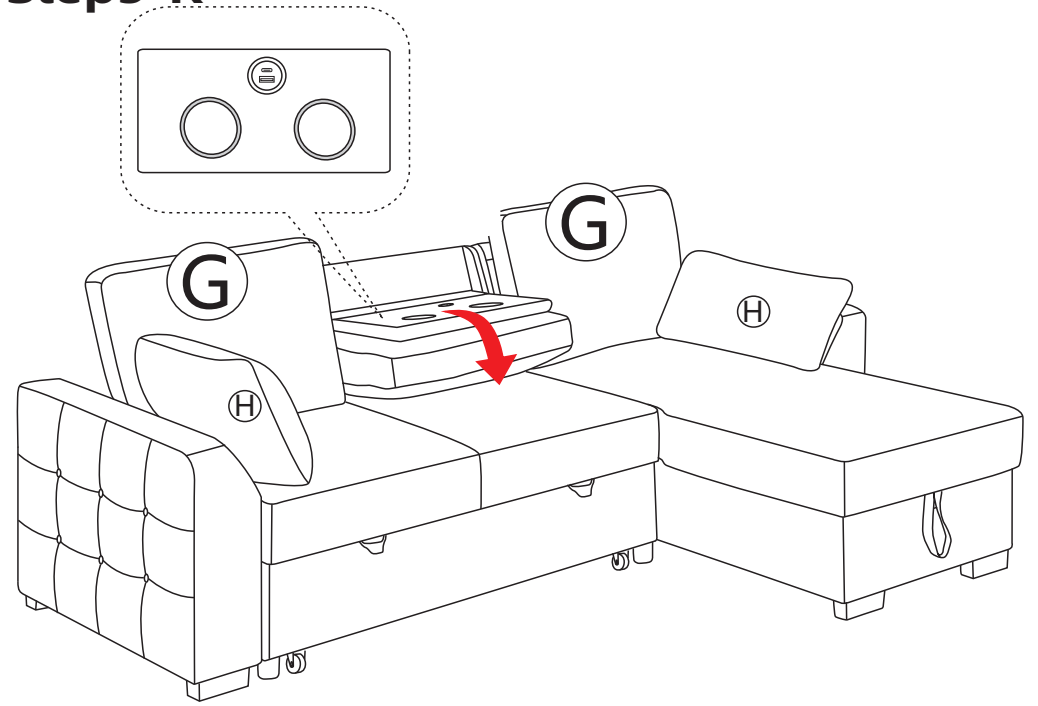
Step3-R



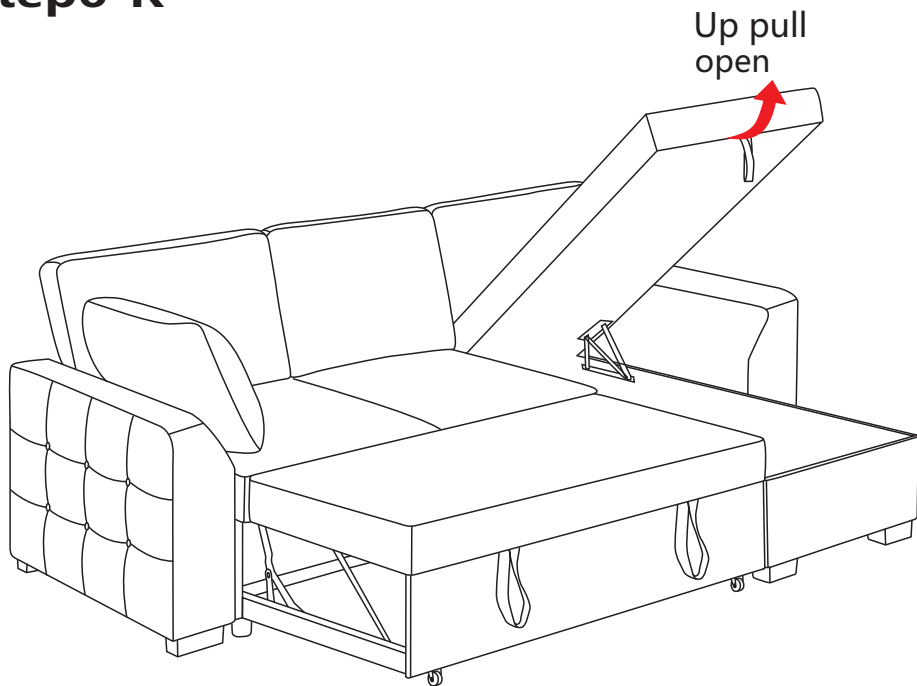
Step4-R



Step5-R



Step6-R



Step7-R

